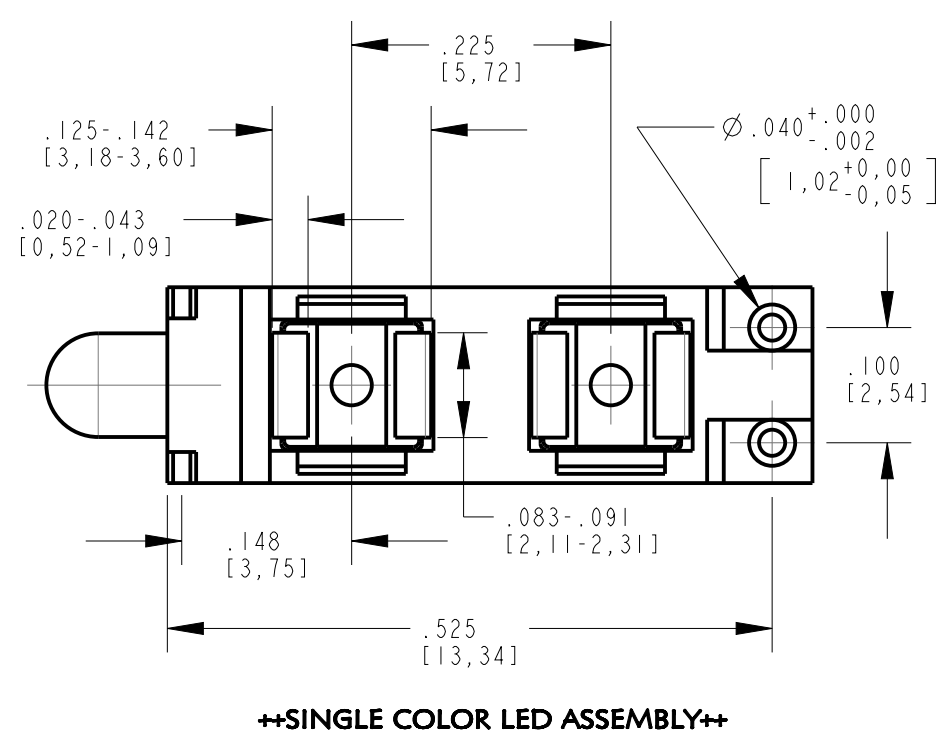
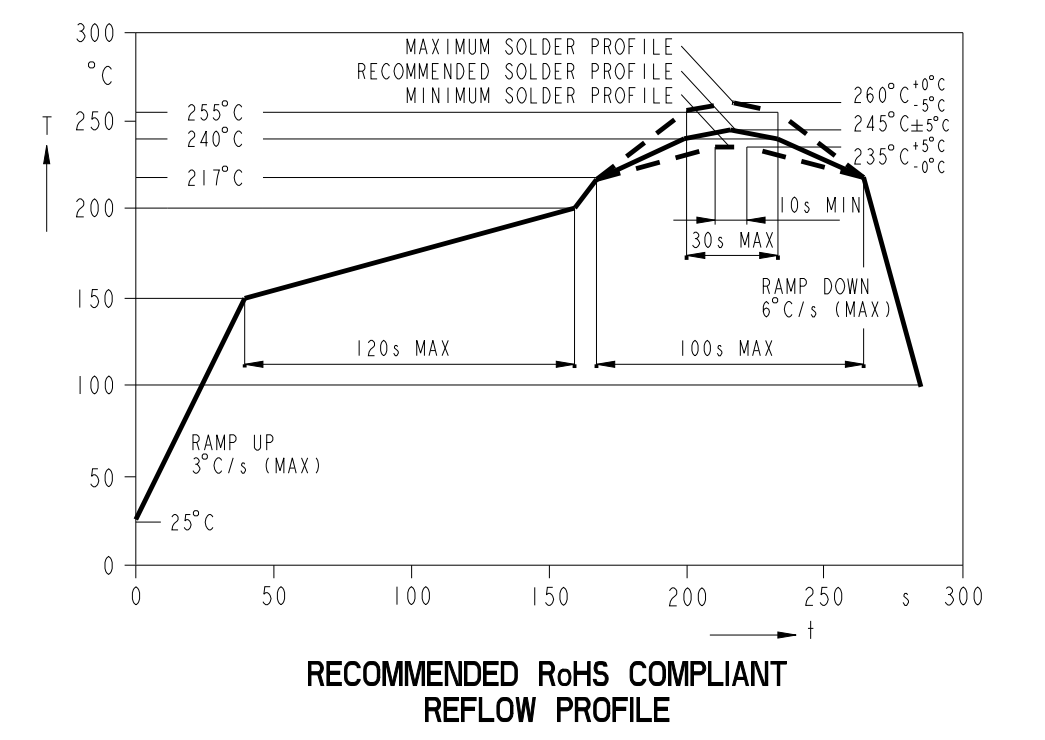
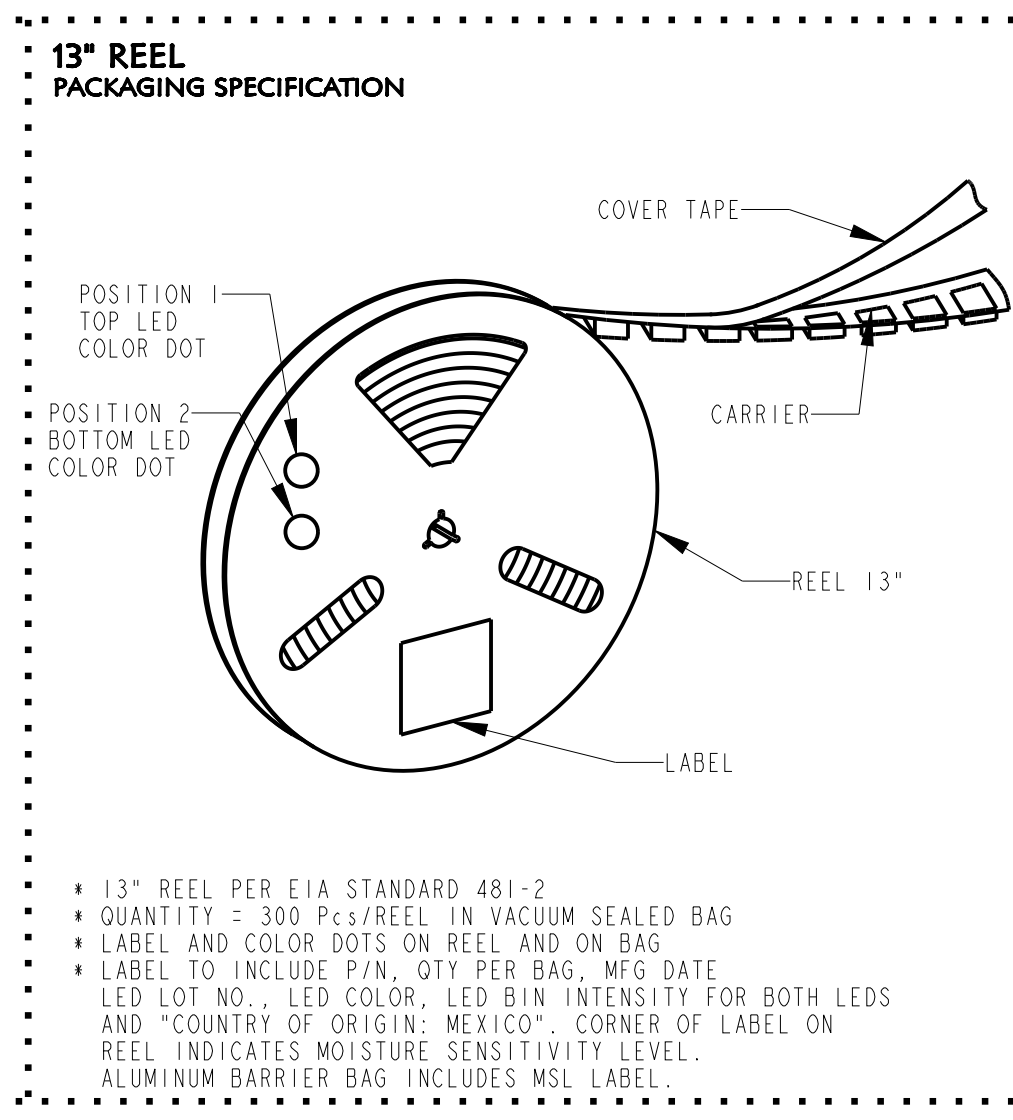
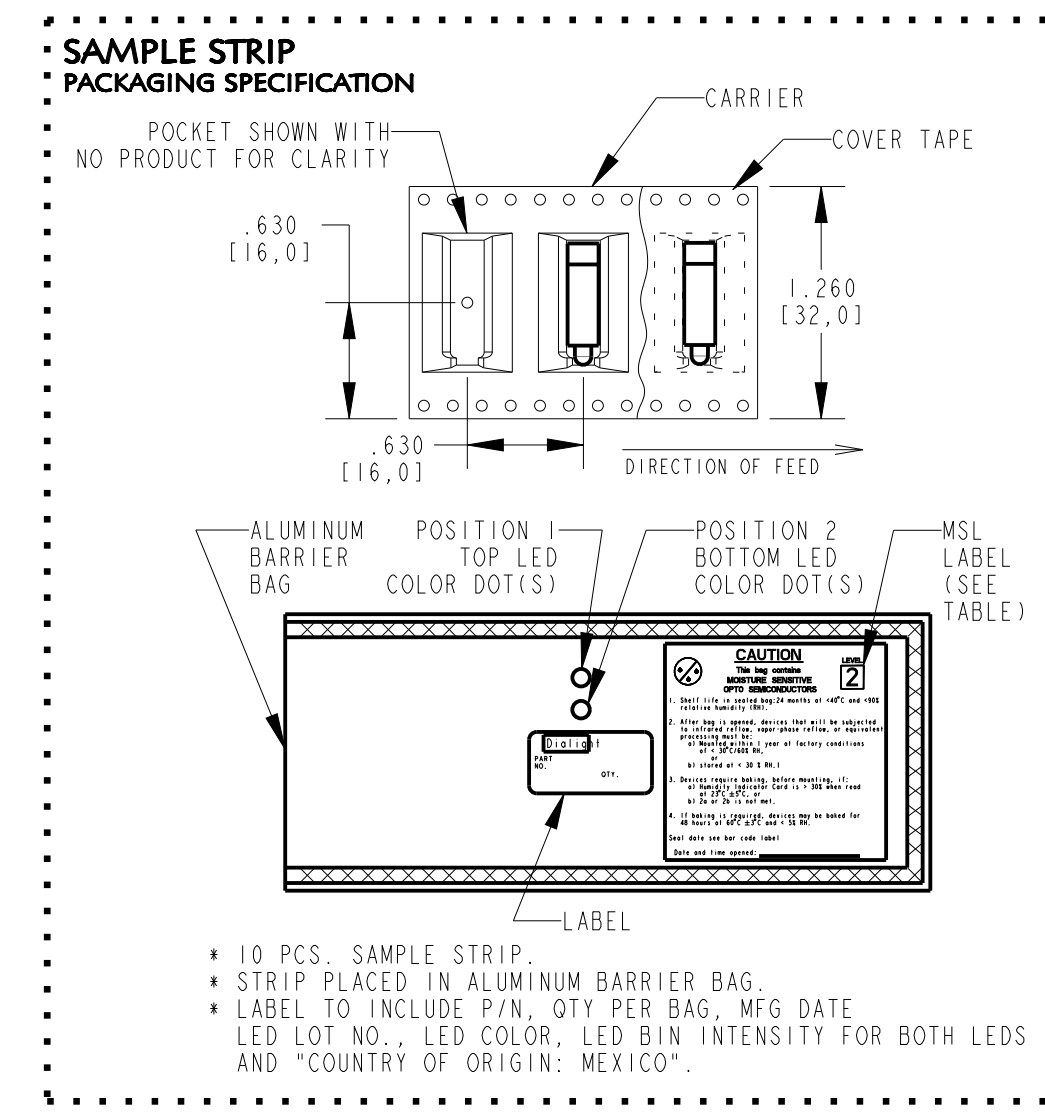
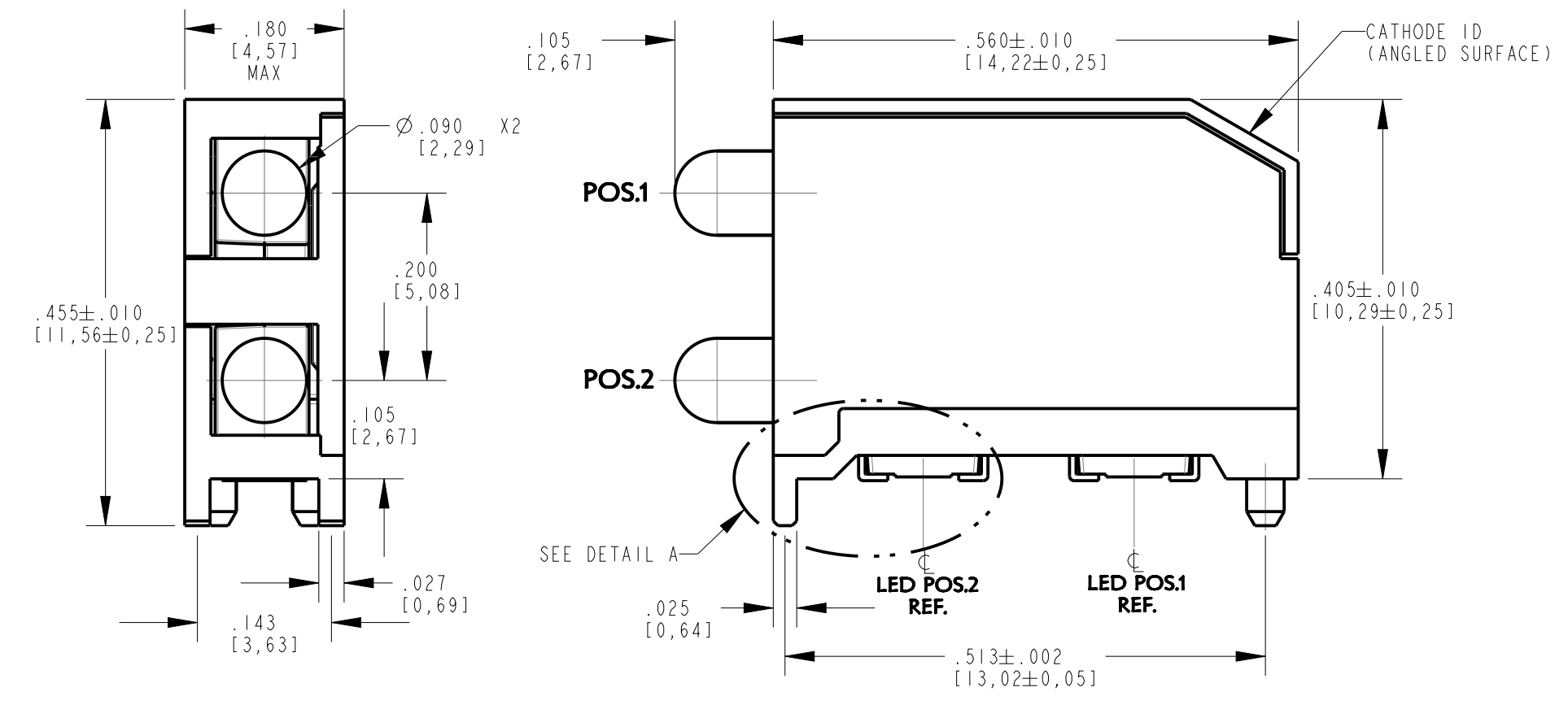
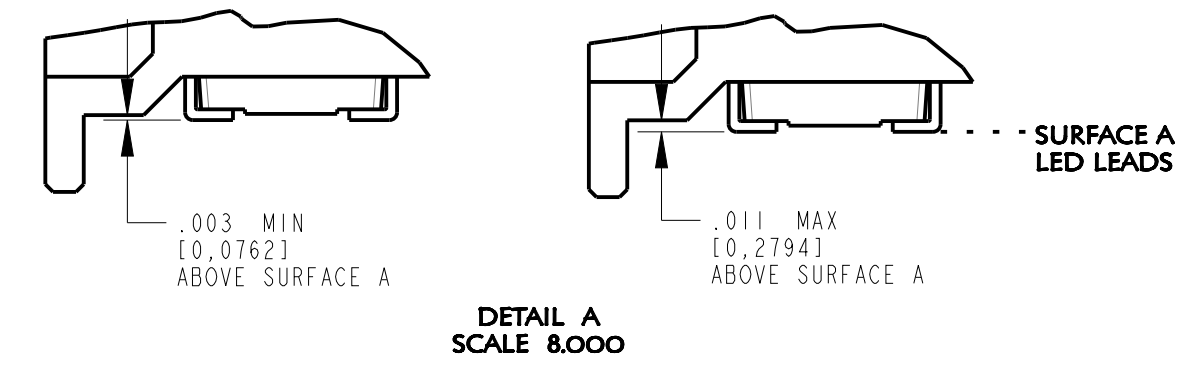


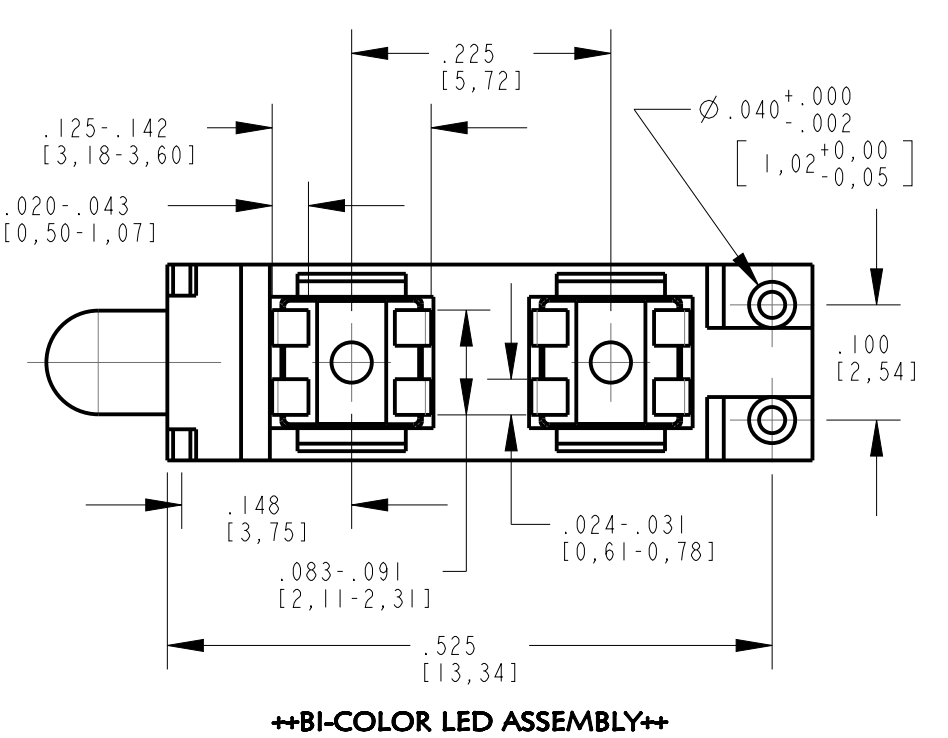
| REV | ECN NO | REVISIONS | DRN | CKD | APP | DATE |
|-----|--------|---|-----|-----|-----|---------|
| A | | NEW RELEASE | BP | | NO | 8-11-17 |
| B | | UPDATED NOTE 2, ADDED P/N 592-3126-838F | BP | | NO | 9-19-17 |

| DIALIGHT PART NUMBER | PACKAGING | POSITION 1 | POSITION 2 | MSL |
|----------------------|-----------|--------------|---------------------|-----|
| 592-3030-835F | 13" REEL | RED/GREEN | RED/GREEN | 2 |
| 592-3131-834F | 13" REEL | YELLOW/GREEN | YELLOW/GREEN | 2 |
| 592-3531-832F | 13" REEL | RED/GRN/BLUE | YELLOW/GREEN 2a & 2 | |
| 592-3126-838F | 13" REEL | YELLOW/GREEN | BLUE | 2 |



| OPERATING CHARACTERISTICS AT 25°C AMBIENT | | | | | | | | | | | | |
|---|---|-----|-----|---|-----|-----|---|-----|--------------------------|-----|----------------------|-----|
| #30 & #31 LED COLOR | LUMINOUS INTENSITY @ I _f = 10 mA (mcd) | | | FORWARD VOLTAGE @ I _f = 2 mA (V) | | | REVERSE CURRENT @ V _r = 12V (μA) | | DOMINANT WAVELENGTH (nm) | | PEAK WAVELENGTH (nm) | |
| | MIN | TYP | MAX | TYP | MAX | TYP | MAX | MIN | TYP | MAX | TYP | MAX |
| RED/GRN | RED | — | 1 | — | 1.8 | 2.2 | 0.01 | 10 | 624 | 630 | 636 | 643 |
| | GREEN | — | 5 | — | — | — | — | — | 566 | 570 | 575 | 572 |
| YLW/GRN | YELLOW | — | 14 | — | 1.8 | 2.2 | 0.01 | 10 | 580 | 587 | 595 | 591 |
| | GREEN | — | 5 | — | — | — | — | — | 566 | 570 | 575 | 572 |

| ABSOLUTE MAXIMUM RATINGS AT 25°C AMBIENT | RED/GRN | YLW/GRN | UNITS |
|--|-------------|---------|-------|
| CONTINUOUS FORWARD CURRENT | 15 | | mA |
| REVERSE VOLTAGE | 12 | | V |
| SURGE CURRENT | 100 | | mA |
| PEAK SOLDERING TEMPERATURE | 245 | | °C |
| OPERATING TEMPERATURE | -40 TO +100 | | °C |
| STORAGE TEMPERATURE | -40 TO +100 | | °C |

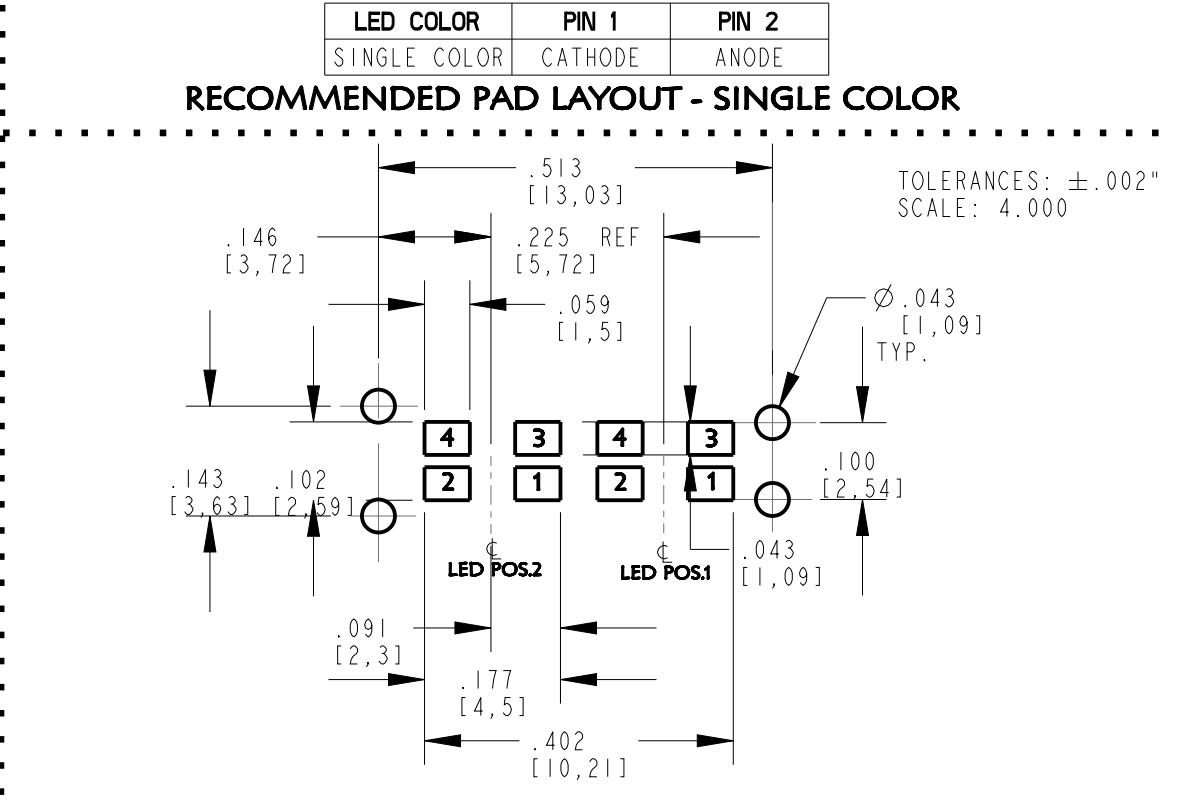
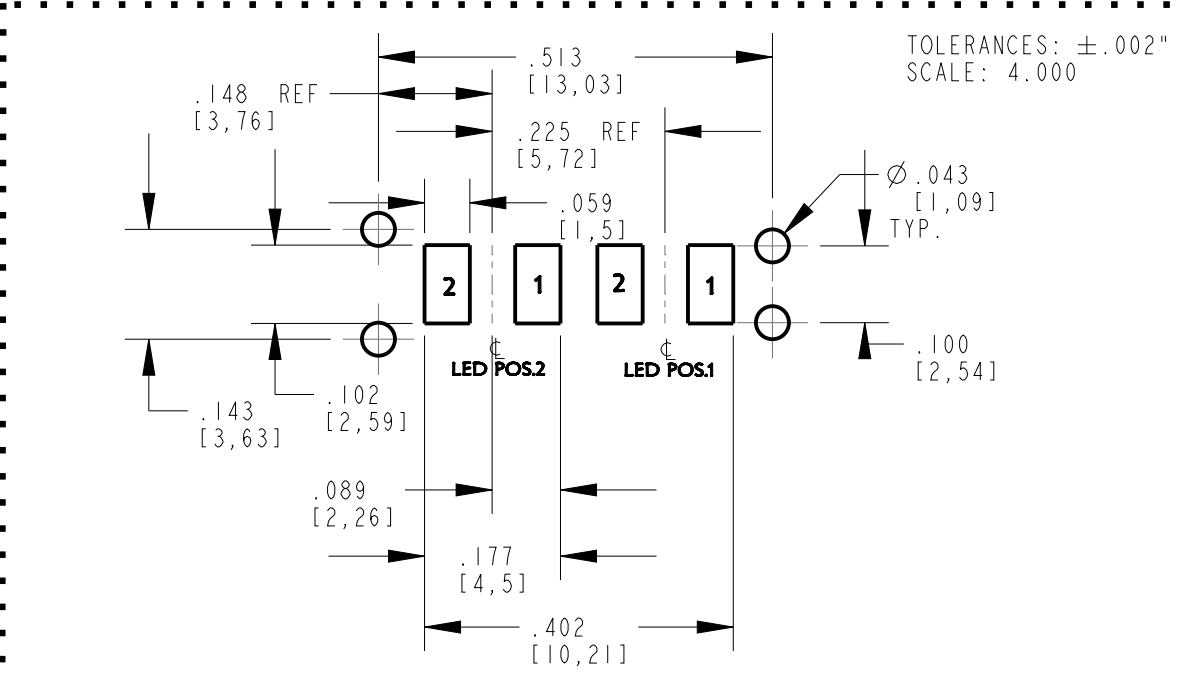


| OPERATING CHARACTERISTICS AT 25°C AMBIENT - RED/GRN/BLUE TRI-COLOR LED | | | | | | | |
|--|--------------------------|-------------------|--------------------------|-----|-----|---------------------|-----|
| #35 COLOR | LUMINOUS INTENSITY (mcd) | TEST CURRENT (mA) | DOMINANT WAVELENGTH (nm) | | | FORWARD VOLTAGE (V) | |
| | | | MIN | TYP | MAX | TYP | MAX |
| RED | 31 | 20 | 626 | 635 | 1.9 | 2.4 | |
| GREEN | 84 | 20 | 525 | 523 | 3.4 | 4.1 | |
| BLUE | 16 | 20 | 470 | 468 | 3.4 | 4.1 | |

| ABSOLUTE MAXIMUM RATINGS AT 25°C AMBIENT - RED/GRN/BLUE TRI-COLOR LED | COLOR | | | UNITS |
|---|-------------|-------|-------|-------|
| | RED | GREEN | BLUE | |
| POWER DISSIPATION | 72 | 120 | 120 | mW |
| CONTINUOUS FORWARD CURRENT | 30 | 20 | 20 | mA |
| LINEAR DERATING FROM 80°C (*BLUE & GREEN FROM 70°C) 1 CHIP ON | 1.00 | *0.50 | *0.50 | mA/°C |
| LINEAR DERATING FROM 65°C (*BLUE & GREEN FROM 50°C) 3 CHIPS ON | 0.75 | *0.30 | *0.30 | mA/°C |
| LEAD REFLOW SOLDERING TEMPERATURE (FOR 5 SEC.) | 260 | | | °C |
| OPERATING TEMPERATURE | -55 TO +100 | | | °C |
| STORAGE TEMPERATURE | -55 TO +100 | | | °C |

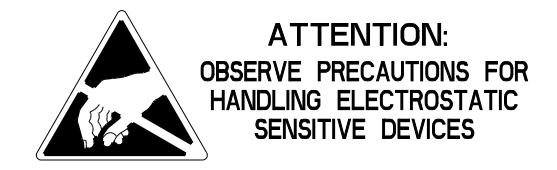
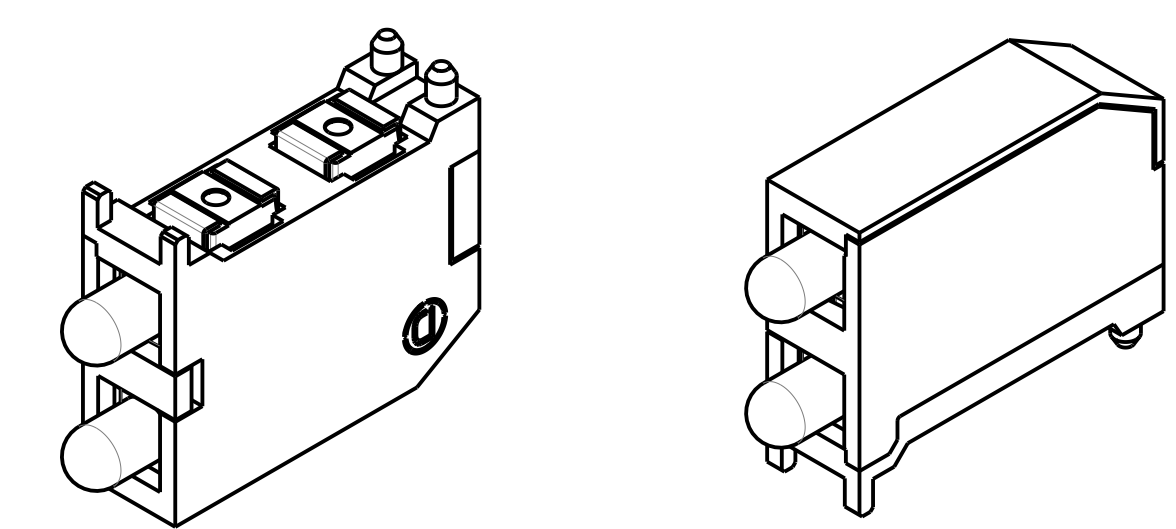
| OPERATING CHARACTERISTICS AT 25°C AMBIENT | | | | | | | | | | | | |
|---|---|-----|-----|--|-----|-----|----------------------|-----|--------------------------|-----|----------------------|--|
| #26 COLOR | LUMINOUS INTENSITY @ I _f = 10 mA (mcd) | | | FORWARD VOLTAGE @ I _f = 10 mA (V) | | | REVERSE CURRENT (μA) | | DOMINANT WAVELENGTH (nm) | | PEAK WAVELENGTH (nm) | |
| | MIN | TYP | MAX | TYP | MAX | MAX | MIN | TYP | MAX | TYP | MAX | |
| InGaN BLUE | 4 | 7 | 10 | 3.5 | 4.2 | 10 | 462 | 465 | 468 | 428 | | |

| ABSOLUTE MAXIMUM RATINGS AT 25°C AMBIENT | InGaN BLUE | UNITS |
|---|-------------|-------|
| POWER DISSIPATION | 90 | mW |
| CONTINUOUS FORWARD CURRENT | 20 | mA |
| PEAK FORWARD CURRENT (I _{LM} ≤ 10ms, D = .005) | 200 | mA |
| DERATE LINEARLY FROM 55°C (60°C FOR RED) | 0.44 | mA/°C |
| REVERSE VOLTAGE (I _r = 10 mA) | 5 | V |
| STORAGE TEMPERATURE | -40 TO +100 | °C |
| OPERATING TEMPERATURE | -40 TO +100 | °C |



| LED COLOR | PIN 1 | PIN 2 | PIN 3 | PIN 4 |
|-----------------|----------------|--------------|---------------|---------------|
| YELLOW/GREEN | YELLOW CATHODE | YELLOW ANODE | GREEN ANODE | GREEN CATHODE |
| RED/GREEN | RED CATHODE | RED ANODE | GREEN ANODE | GREEN CATHODE |
| R/G/B TRI-COLOR | RED CATHODE | COMMON ANODE | GREEN CATHODE | BLUE CATHODE |

- NOTES :
- DIALIGHT PART NUMBERS: 592-XXXX-83XF.
 - ALL PARTS ARE SUPPLIED ON A 13 INCH REEL, 300 PCS/REEL
 - FRONT AND REAR TERMINALS (OF EACH LED) OF THE ASSEMBLY TO BE WITHIN .005" COPLANARITY.
 - STORAGE CONDITIONS FOR TAPED PRODUCT; RE-TAPING MAY BE NECESSARY FOR PRODUCT STORED MORE THAN TWELVE MONTHS.
 - PIN NUMBERS ARE FOR REFERENCE ONLY, DESIGNATION NON-EXISTENT ON PART.
 - MOISTURE SENSITIVITY LEVEL LABEL WILL BE PLACED ON BAG. CHECK CHART FOR PROPER LEVEL.
 - THIS ASSEMBLY CONTAINS ELECTROSTATIC DISCHARGE SENSITIVE DEVICES (ESDS). MAINTAIN ALL PRECAUTIONARY MEASURES DURING ASSEMBLY, HANDLING, AND STORAGE IN ACCORDANCE WITH IPC-A-610.
 - FLAMMABILITY RATING HOUSING: UL-94-VO SILICONE LENS AND LED: UL-94HB



RoHS COMPLIANT 592-XXXX-83XF
 Part Numbers with the "F" suffix ending are RoHS Compliant.
 For example: 592-3030-835F
 Packaging is marked with "RoHS Compliant" label or equivalent markings. These parts can be used with RoHS reflow profile.
 Parts can be wave soldered, dip soldered or hand soldered using typical lead-free soldering process with max 260°C temp. for 5 sec.

| | | |
|---|---|-----|
| THIS DRAWING AND THE CONTENTS HEREIN ARE CONFIDENTIAL AND THE SOLE PROPERTY OF DIALIGHT. REPRODUCTION OF THIS DRAWING OR CONSTRUCTION OF ANY PARTS WITHIN THIS DRAWING ARE FORBIDDEN WITHOUT THE WRITTEN CONSENT OF DIALIGHT. | | |
| SCALE: 6:000 | DRAWING NUMBER | REV |
| ALL DIM'S IN: INCHES (MM) | C-18349 | B |
| TOLERANCES: UNLESS OTHERWISE SPECIFIED | TITLE: 1-LEVEL PRISM SILICONE LENS | |
| FRACTIONS: ±1/64 | ROHS COMPLIANT | |
| DECIMALS (.XX): ±.02 | MATERIAL | |
| DECIMALS (.XXX): ±.015 | ANGLES: ±1° | |
| FINISH: | Dialight | |
| FSCM 83330 | 1501 ROUTE 34 SOUTH FARMINGDALE, NJ 07727 | |
| | SHEET 1 OF 1 FAMILY TABLE: | |