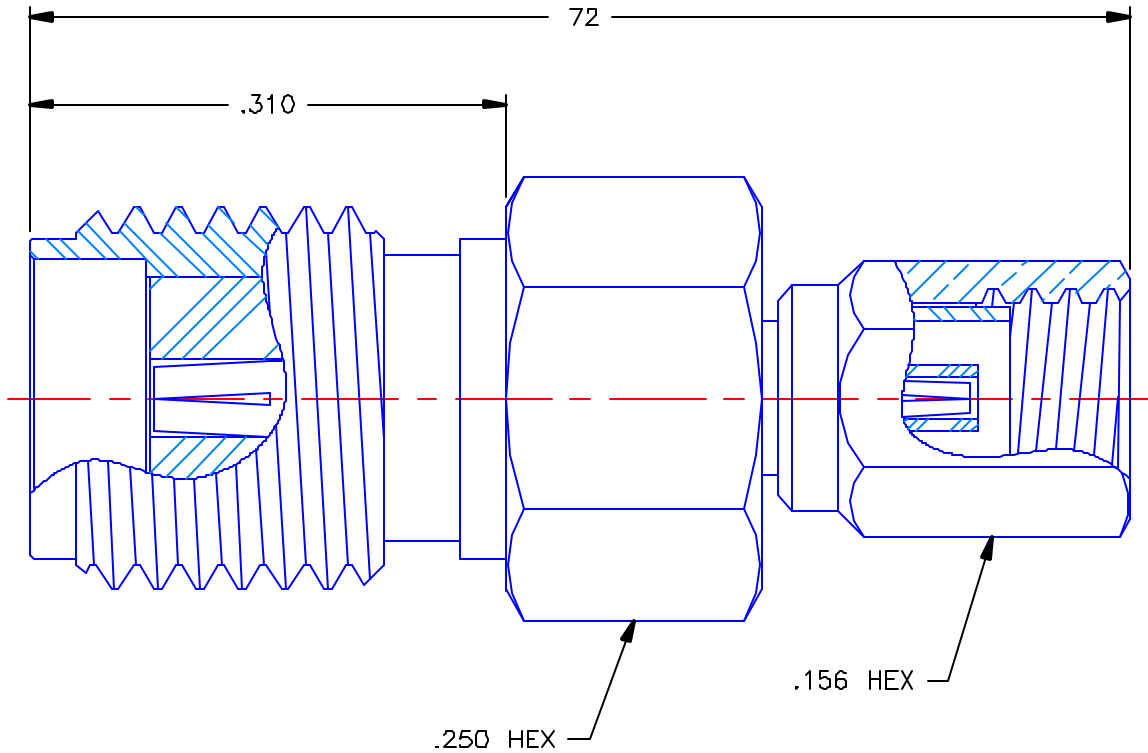


PROPRIETARY INFORMATION  
 NOT TO BE RELEASED  
 WITHOUT WRITTEN PERMISSION  
 FROM AN AUTHORIZED  
 REPRESENTATIVE OF  
 APPLIED ENGINEERING PRODUCTS

REVISIONS			
REV	DESCRIPTION	DATE	APPROVED
-	INITIAL RELEASE	08/31/00	A.M.




NOTES:

MATERIALS:

1. BODY = STAINLESS STEEL PER ASTM A582, ALLOY 303, CONDITION "A".
2. INSULATOR = VIRGIN WHITE TEFLON PER ASTM D1710, GRADE 1, TYPE I, CLASS "A".
3. CONTACT & COUPLING NUT = BERYLLIUM COPPER PER ASTM B196, ALLOY C17300, TEMPER TD04.

FINISHES:

1. BODY = PASSIVATE PER QQ-P-35, TYPE VI.
2. CONTACT = GOLD PLATE PER MIL-G-45204, TYPE II, CLASS 1, GRADE C, OVER .00010 TO .00020 STRESS FREE SULFAMATE NICKEL PER QQ-N-290.
3. COUPLING NUT = NICKEL PLATE PER QQ-N-290, CLASS 1, GRADE G, EXCEPT .0001 TO .0002 THICK OVER .00005 TO .0001 THICK COPPER PER MIL-C-14550.

UNLESS OTHERWISE SPECIFIED DIMENSIONS ARE IN INCHES TOLERANCES ON	DWN: A.M.	DATE 08/31/00	 <b>APPLIED ENGINEERING PRODUCTS</b> 104 John W Murphy Dr. New Haven, CT 06513	
	DECIMAL	ANGLE		CHKD: D.N.
REFERENCE:		MATERIALS & FINISHES: SEE NOTES		ADAPTER SMA (F) - SSMC (F)
ORIGINATOR A.M. DATE: 08/31/00	SCALE 8:1		SIZE A FSCM NO. 19505 DWG NO. 5945-9503-000 REV - SHEET 1 OF 1	

5945-9503-000