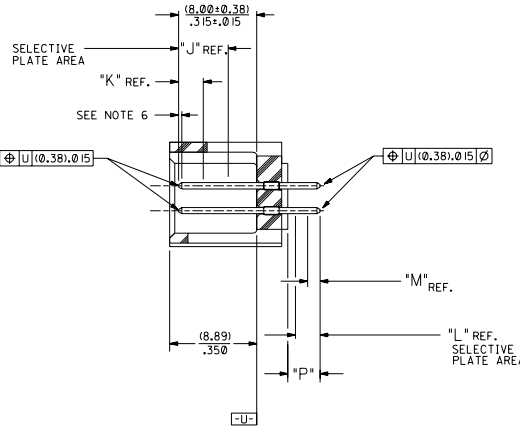


RECOMMENDED P.C. BOARD HOLE LAYOUT



SECTION J-J

**NOTES:**

- 1- 20 CIRCUIT SIZE SHOWN FOR ILLUSTRATION PURPOSES.
- 2- PIN PUSHOUT FORCE: (17.79 N) ¼ LBS.
- 3- PINS MUST MEET SOLDERABILITY SPEC. MIL-STD-202 METHOD 208B.
- 4- WINDOW NOT AVAILABLE ON 6 AND 8 CIRCUIT SIZE.
- 5- FOR CHARTED DIMENSIONS AND ASSEMBLY NO.S NOT SHOWN ON THIS SHEET - SEE SHEET 2.
- 6- ROW TO ROW PIN HEIGHT VARIATION MUST NOT EXCEED (0.13) / .005 IN.
- 7- PRODUCT CONFORMS TO PS-8723.

**MATERIAL:**

SHROUDED WAFER: GLASS FILLED POLYESTER, 94V-0; COLOR: BLACK.  
 PINS: PHOSPHOR BRONZE,  
 SEE SHEET 2 FOR FINISHES.

**ASSEMBLY STYLE "A" AND "B"**

CKT.	DIM. "A"		DIM. "B"		DIM. "C"	DIM. "D"	DIM. "E"															
	DIM. "A"	DIM. "B"	DIM. "C"	DIM. "D"																		
06	(1.68) .066	(8.43) .332	(5.08) .200	(1.68) .066																		
08	(1.68) .066	(10.97) .432	(7.62) .300	(1.68) .066																		
10	(1.68) .066	(13.51) .532	(10.16) .400	(4.22) .166																		
12	(1.68) .066	(16.05) .632	(12.70) .500	(4.22) .166																		
14	(1.68) .066	(18.59) .732	(15.24) .600	(4.22) .166																		
16	(1.68) .066	(21.13) .832	(17.78) .700	(4.22) .166																		
18	(1.68) .066	(23.67) .932	(20.32) .800	(4.22) .166																		
20	(1.68) .066	(26.21) 1.032	(22.86) .900	(4.22) .166																		
22	(1.68) .066	(28.75) 1.132	(25.40) 1.000	(4.22) .166																		
24	(1.68) .066	(31.29) 1.232	(27.94) 1.100	(4.22) .166																		
26	(1.68) .066	(33.83) 1.332	(30.48) 1.200	(4.22) .166																		
28	(1.68) .066	(36.37) 1.432	(33.02) 1.300	(4.22) .166																		
30	(1.68) .066	(38.91) 1.532	(35.56) 1.400	(4.22) .166																		
32	(1.68) .066	(41.45) 1.632	(38.10) 1.500	(4.22) .166																		
34	(1.68) .066	(43.99) 1.732	(40.64) 1.600	(4.22) .166																		
36	(1.68) .066	(46.53) 1.832	(43.18) 1.700	(4.22) .166																		
38	(1.68) .066	(49.07) 1.932	(45.72) 1.800	(4.22) .166																		
40	(1.68) .066	(51.61) 2.032	(48.26) 1.900	(4.22) .166																		
42	(1.68) .066	(54.15) 2.132	(50.80) 2.000	(4.22) .166																		
44	(1.68) .066	(56.69) 2.232	(53.34) 2.100	(4.22) .166																		
46	(1.68) .066	(59.23) 2.332	(55.88) 2.200	(4.22) .166																		
48	(1.68) .066	(61.77) 2.432	(58.42) 2.300	(4.22) .166																		
50	(1.68) .066	(64.31) 2.532	(60.96) 2.400	(4.22) .166																		
52	(1.68) .066	(66.85) 2.632	(63.50) 2.500	(4.22) .166																		
54	(1.68) .066	(69.39) 2.732	(66.04) 2.600	(4.22) .166																		
56	(1.68) .066	(71.93) 2.832	(68.58) 2.700	(4.22) .166																		
58	(1.68) .066	(74.47) 2.932	(71.12) 2.800	(4.22) .166																		
60	(1.68) .066	(77.01) 3.032	(73.66) 2.900	(4.22) .166																		
62	(1.68) .066	(79.55) 3.132	(76.20) 3.000	(4.22) .166																		
64	(1.68) .066	(82.09) 3.232	(78.74) 3.100	(4.22) .166																		
66	(1.68) .066	(84.63) 3.332	(81.28) 3.200	(4.22) .166																		
68	(1.68) .066	(87.17) 3.432	(83.82) 3.300	(4.22) .166																		
70	(1.68) .066	(89.71) 3.532	(86.36) 3.400	(4.22) .166																		
72	(1.68) .066	(92.25) 3.632	(88.90) 3.500	(4.22) .166																		

- U ADD -3803 OPT  
DCP2004-2268  
DMORGAN 04/05/20
- T LEAD FREE  
USP2004-1770  
RW WHITE 04/04/26
- S ADD -3802 OPTION  
ECN #02P2004-020  
DMORGAN 04/01/2
- R2 TAB DIF DIM 6 CIR  
ECN #010 0999-0145  
DMORGAN 56/09/01

- R1 ADD WDG LATCH NOTE  
ECN #010 0998-0399  
DMORGAN 56/06/23
- R ADDED SHEET 7
- O REMOVE FDP NO.S  
PER ECR NO US0205  
05-04-93
- P CHGD WINDOW NOTES  
PER ECR NO US30316  
05-04-93
- O CHANGED MATERIAL  
PER ECR NO US30146  
05-04-93
- R2 REVISED & REDRAWN  
PER ECR NO US20713  
05-04-93
- LTR REVISIONS

DIMS. SHOWN METRIC INCH		SCALE 4 : 1		REVISE ONLY ON CAD SYSTEM	
SALES ASSEMBLY					
WAFER - STRAIGHT MT. FULLY SHROUDED					
.100 GRID-FOR USE W/.005 SQ. PINS					
WITH .066 END WALLS					
MOLEX INCORPORATED		SHEET NO. 1 OF 7		DATE 92/07/17	
SEE CHART		SDA-8723-*****			
FILE NO. S8723A1		REV. NO. 1		DATE 92/07/17	
DIP. RB		CON. 4		DIP. RB	

