



### Electrical specifications

**Center Frequency:** 4450 MHz  
**Bandwidth:** 100 MHz  
**VSWR:** 2.0 : 1  
**Input / Output Impedance:** 50 Ohms  
**Passband:** 4400-4500 MHz  
**Passband Insertion Loss:** 3.0 dB max  
**Passband Ripple:** 0.7 dB max  
**Rejection:** 20 dB min at 4150 MHz  
**Rejection 2:** 20 dB min at 4750 MHz  
**Power Handling:** 2 Watt max

### Mechanical

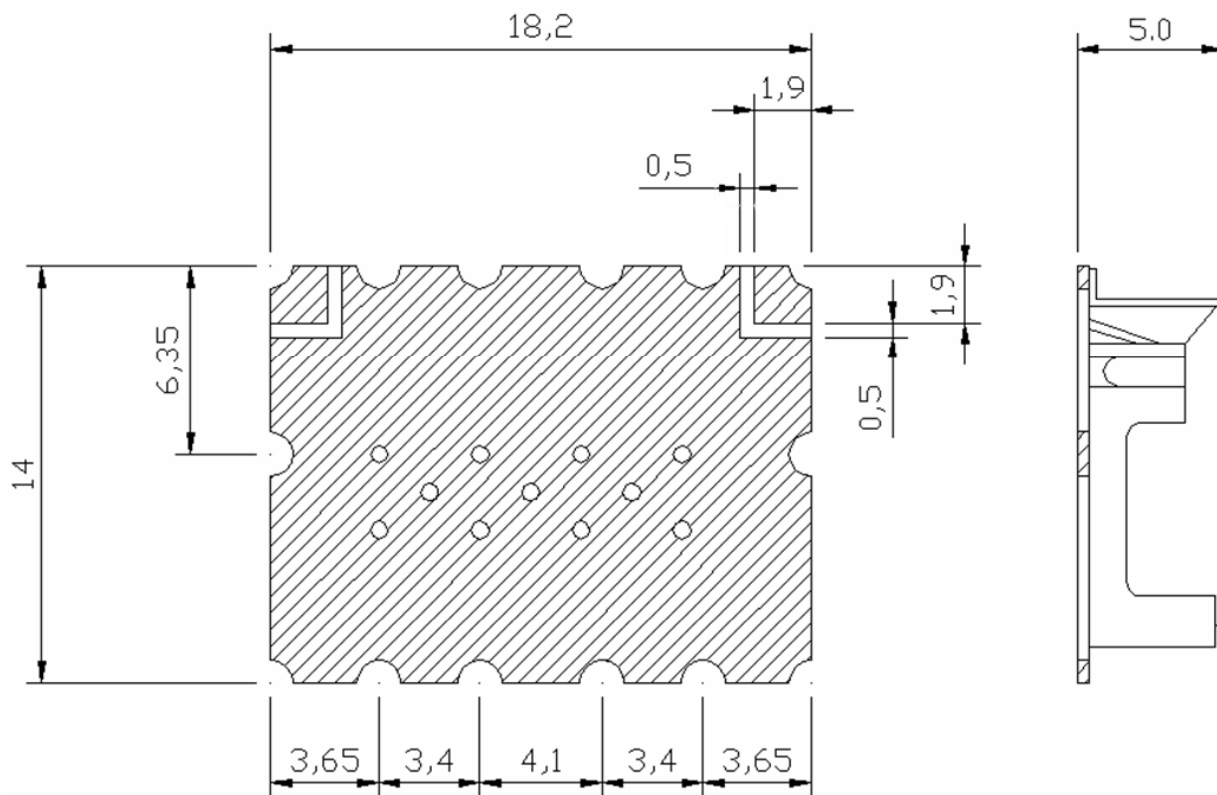
**Mounting Method:** SMT  
**Dimensions:** 18.2 x 14 x 5 mm

### Environmental

**Operating Temperature:** -20°C to +75°C  
**Storage Temperature:** -50°C to +90°C

This product is RoHs compliant.

### Outline Drawing:



Unit : mm  
Tolerance :  $\pm 0.3$