

⚡ (f)N_pr Lsk`cp8 J @D4002+0. B J V? +46?

⚡ (f)Qpsarspc8 Rfc J CB jgef r `p knsl rcb J CB bgac &`_pc afgn' nh qs`qrp_rc `w_pp_w
©0qcpj 2n_p_jcj 0anjnpⓄ

⚡ (f)?nnj ga_rgnh8 J gef r gl e qns pac

⚡ (f)K_vgksk Anh bgr gnh Ⓞ | ■ r ⚡ ⚡ | Ⓞ

Grck	Qk`nj	Anh bgr gnh	Sl gr
?bkgqg`gj grw bgagn_rgnh T /	Nm	3, 54	⚡
Dnpu_pb Asppcl r T /	G _b	., 6	、
Mncp_rgnh Rckncp_rspc	R _m	+1. Ⓞ) 63	J
Npcqcp_rgnh Rckncp_rspc	R _{qre}	+2. Ⓞ) / ..	J
Hsl argnh Rckncp_rspc	Rh	/ 03	J

T / (h)nh c anjnpⓄ B943. .I - J 905. .I Ⓞ

⚡ (f)Cj carpga_j _l b nmrga_j Af_p_arcpqrgaq Ⓞ | ■ r ⚡ ⚡ | Ⓞ

Grck	Qk`nj	Kgl ,	Rwn,	K_v,	Sl gr	Anh bgr gnh
Dnpu_pb Tnjr_ec T 0	_D	3, 1	3, 6	4, 1	T	G _b ; 1.. k?
J skgl nsq D j sv &B' T 1	≠ _t	007, 6	015, .	+	j k	G _b ; 1.. k?
J skgl nsq D j sv &J' T 1	≠ _t	/ 74, 4	0. 0, 5	+	j k	G _b ; 1.. k?
Anj np Rckncp_rspcⓄBⓄ	R _{an}	4. 03	42. 4	4565	I	G _b ; 1.. k?
Anj np Rckncp_rspcⓄJ Ⓞ	R _{an}	04/ 1	0517	0643	I	G _b ; 1.. k?
Bctg_rgnh Anj npⓄBⓄ	bst) , . . . 7) , . . . 26) , . . . 64	+	G _b ; 1.. k?
Bctg_rgnh Anj npⓄJ Ⓞ	bst	+ , . . . 12) , . . . 2) , . . . 2/	+	G _b ; 1.. k?
Ecl cp_j Anj np Pcl bcpgl e G bcv	■ _	53	6.	+	+	G _b ; 1.. k?

T / (h)kc_qspckcl r r nj cp_l ac(h) | 1 |

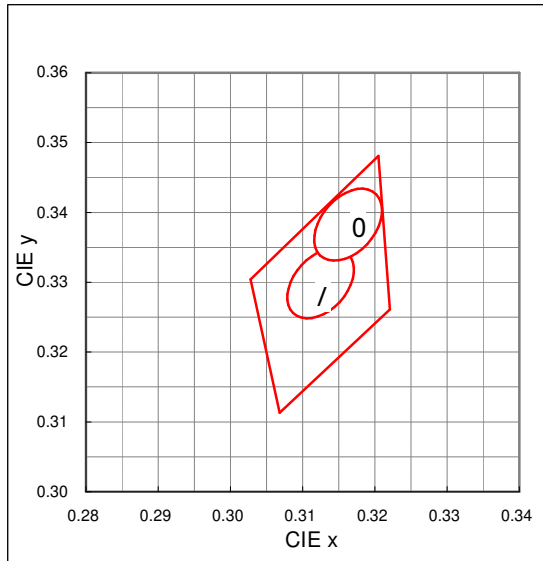
T 0(h)kc_qspckcl r r nj cp_l ac(h) | 5 |

T Rfcqc b_r_ _pc kc_qspcb `w_ kc_qspgl e cosgnkcl r ank nj vgl e ugrf AGC/ 03 Anh bgr gnh Ⓞ

BCQ&L	AFCAI	?NNPMT?J	DATE: 2012/9/6	SPECIFICATION No.: R_pecr QNCA
			REV. A	ROHM Co.,Ltd.

† (f) Af pntk_rgagr w anmpbgl_rc ④ | ■ r † † † † (c) GD r † † † † † † (c) kc_ qspckcl r rmj cp_l ac(h) † , ... 3 ④

的 B 9 43. . I



Af pntk_rgagr w
anmpbgl_rcq Nngl r

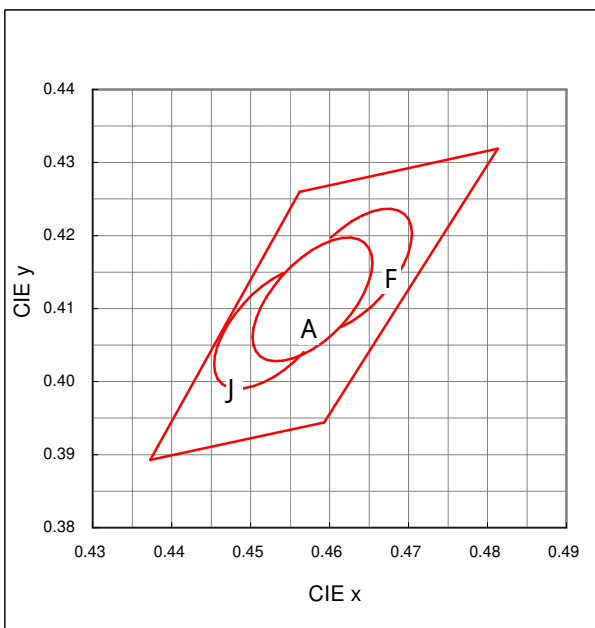
? L QGA56,155(b) r_l b_ pb

43. . I +††	
v	w
. ,1/41	. ,1160
43. . I +††	
v	w
. ,1/03	. ,1076
† K_a? b_k cjjgnqc ‡ qrcn	

J @D40(
43. . I	
v	w
. ,1.46	. ,1/11
. ,100/	. ,104/
. ,10.3	. ,126/
. ,1.06	. ,11.2
acl rcpnng r @,1/01*,1060'	

: P_l ec ugfg / @_ p<
v 8P† . , /3
w 8P† . , 0.
‡; k_v+k g'

盱 J 9 05. . I



Af pntk_rgagr w
anmpbgl_rcq Nngl r

? L QGA56,155(b) r_l b_ pb

05. . I +F	
v	w
. ,2406	. ,2/3.
05. . I +A	
v	w
. ,23563	. ,2/1/3
05. . I +J	
v	w
. ,2307	. ,2. 51
† K_a? b_k cjjgnqc ‡ qrcn	

J @D40(
05. . I	
v	w
. ,2151	. ,1671
. ,2371	. ,1722
. ,26/1	. ,21/7
. ,2340	. ,204.
acl rcpnng r @,2356*,2/ . /'	

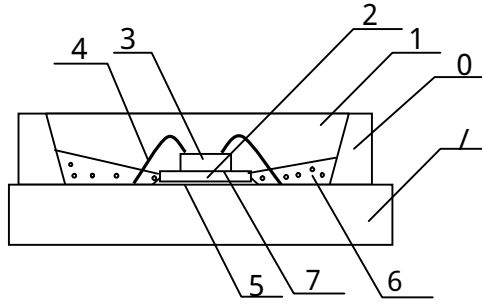
: P_l ec ugfg / @_ p<
v 8P† . , /3
w 8P† . , 0.
‡; k_v+k g'

Rfc npntbsar rf_r gq j na_rcb gl rfc qos_pc ? cvacnr dmp rfc _pc_ nml rfc K_a? b_k cjjgnqcq
gq rm `c bgqasqqcb dmp q_j cq,

† Anj np p_li

anj np p_li		2700K		
		L	C	H
6500K	1	L1	C1	H1
	2	L2	C2	H2

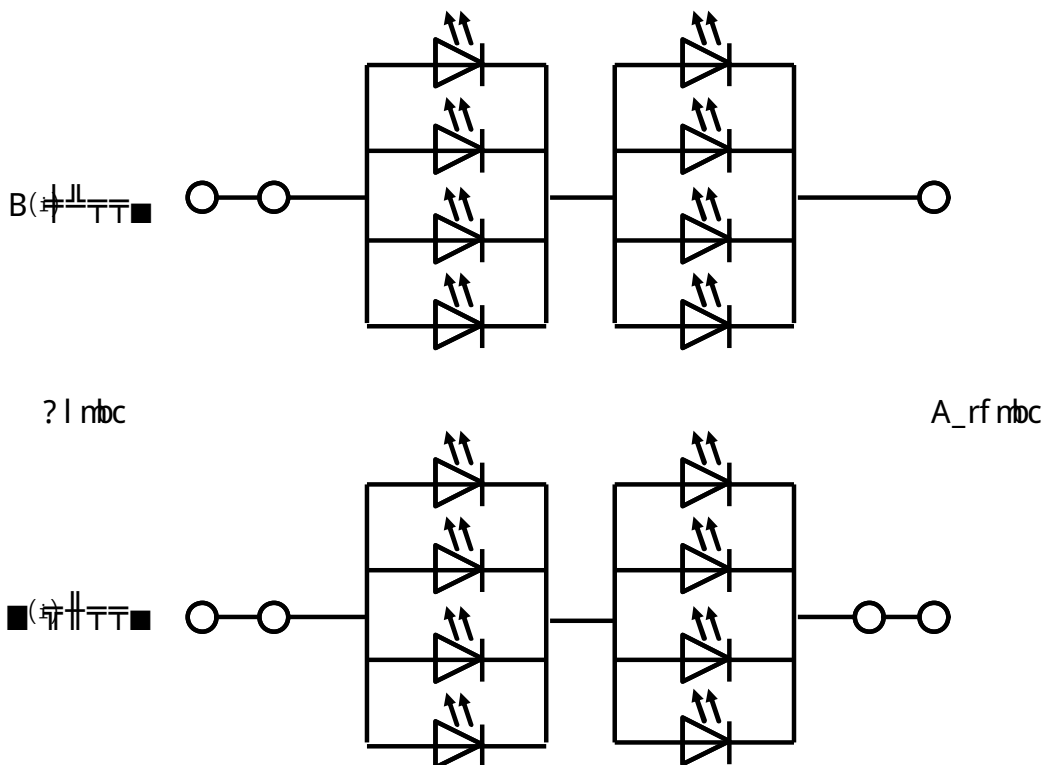
‡ , Qpsarspc



Lm	N_prq L_kc	K_rcpg_j
/	Qs`qrp_rc	ACK+1 Qs`qrp_rc
0	Ufgrc Pcqgl	Qgj gamh c Pcqgl
1	Pcqgl	Qgj gamh c Pcqgl
2	Qs`Knslr Qs`qrp_rc	Qg
3	J CB Bgc	Gl E_L mh Q nnf gpc
4	@mh bgl e Ugpc	?s
5	Bgc @mh b	?e
6	Ufgrc Pcqgl	Qgj gamh c Pcqgl ⊕ RgM ⊕
7	Bgc @mh b	Qgj gamh c Pcqgl

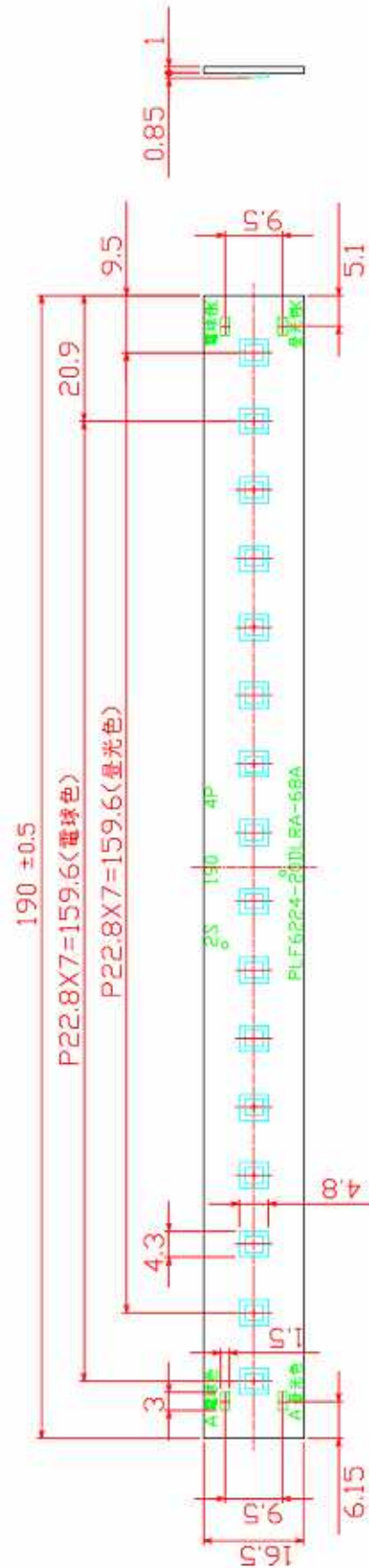
‡ (f) Agpasgr Bg_ep_k

0 qcpj 2 n_p_j j c j



⌒ (f) Bgkcl agnh

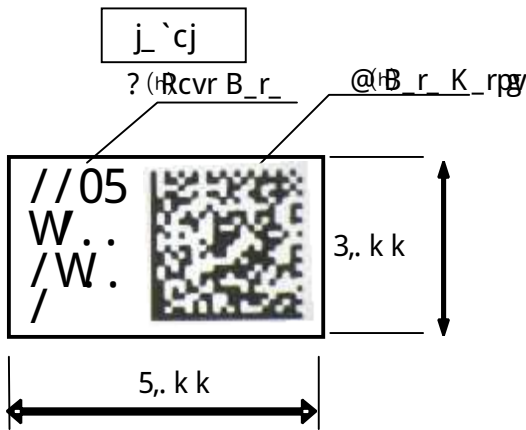
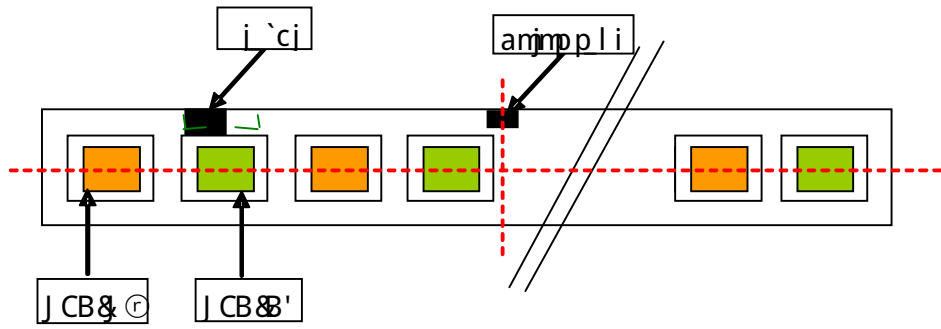
(Unit: mm)



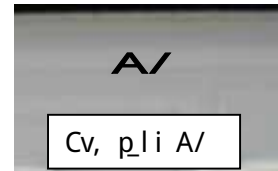
Rmjcp_l ac& .,1



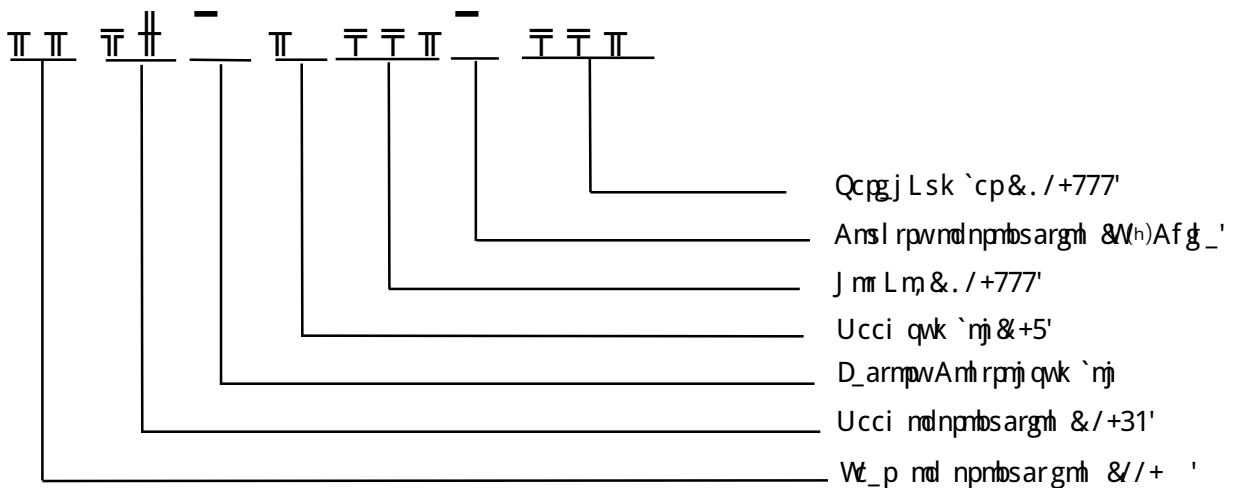
T T , Npmsar J _ `cj



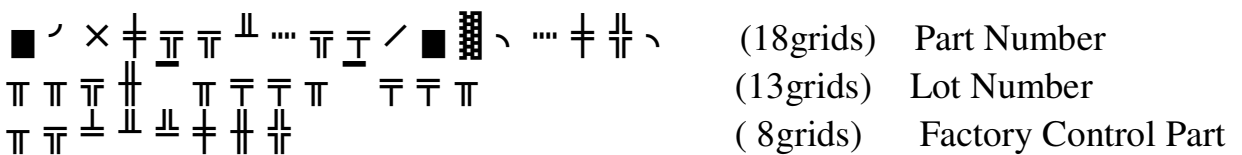
Anjpp li & / j 0 A / A 0 F / F 0'



[A] Text Data



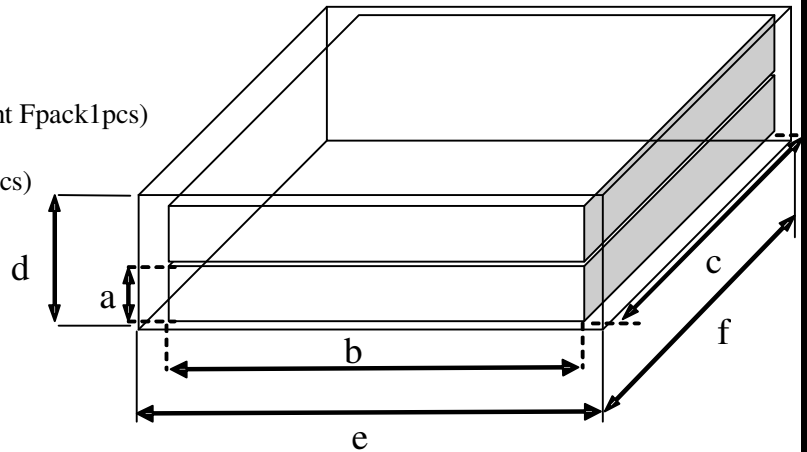
[B] Data Matrix



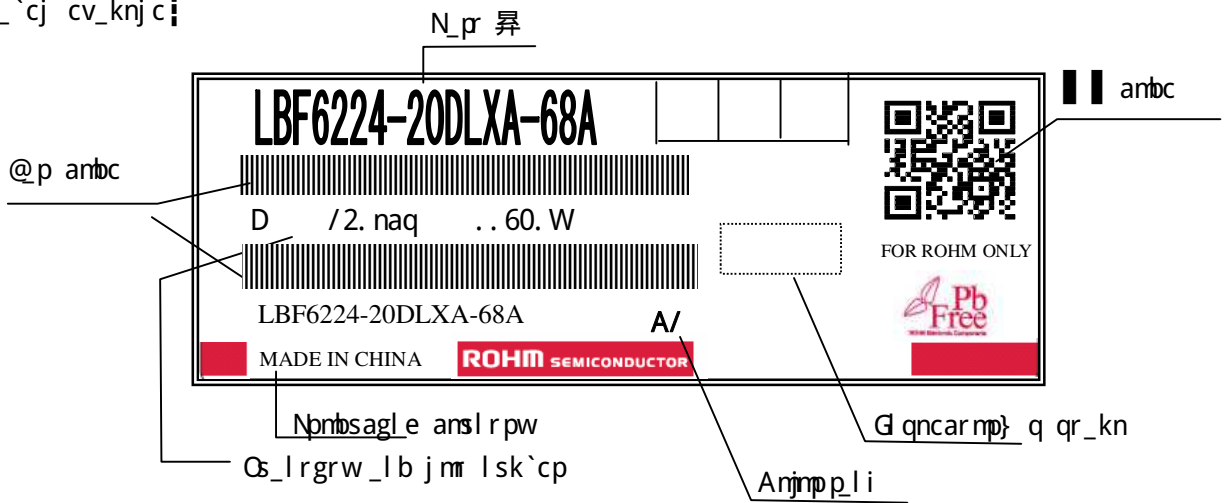
π τ (f) N_{ai} gl e

|| N_{ai} _ ec ||

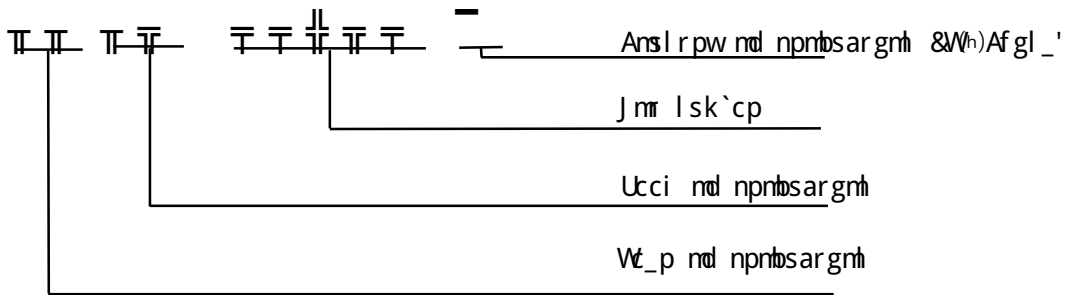
- (1) 14 Bars are on one film tray.
- (2) Inner package size (Fpack10pcs+vacant Fpack1pcs)
(a)60 x (b)300 x (c)343 (Unit: mm)
- (3) Outer package size(inner package || 2pcs)
(d)155 x (e)313 x (f)353 (Unit: mm)



|| J _ `cj cv_knj c ||



|| J m r l sk `cp cv_knj c ||



|| K_l sd_arspgl e d_arnpw &ans l rpw n d n p n t s a r g n t ||

(g) PMFK QCKGAM LBSARMP AFGL? AM *J RB, © Af gl _ ①