



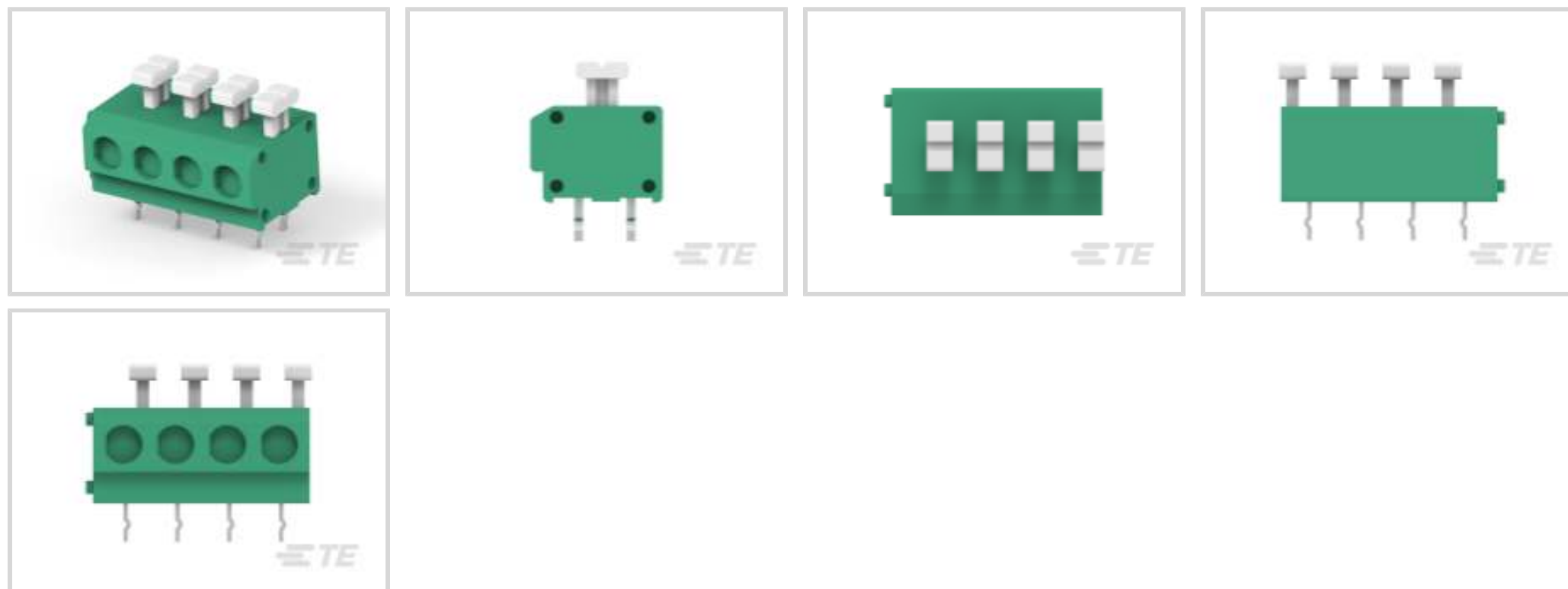
Buchanan WireMate

TE Internal #: 1-2834018-4

PCB Terminal Blocks, Receptacle, Wire-to-Board, 4 Position, .196 in [5 mm] Centerline, 2 Row, 90° Wire Entry Angle, 20 – 14 AWG Wire Size

[View on TE.com >](#)

Connectors > Terminal Blocks & Strips > PCB Terminal Blocks



Terminal Block Connector Type: **Receptacle**

Connector System: **Wire-to-Board**

Number of Positions: **4**

Centerline (Pitch): **5 mm [.196 in]**

Number of Rows: **2**

Features

Product Type Features

Terminal Block Connector Type	Receptacle
Connector System	Wire-to-Board
Connector & Contact Terminates To	Printed Circuit Board

Configuration Features

Wire Entry Location	Side
Number of Positions	4
Number of Rows	2
Wire Entry Angle	90°

Electrical Characteristics

Operating Voltage	300 VAC
-------------------	---------

Body Features

Primary Product Color	Green
Product Orientation	Vertical



Contact Features

Contact Mating Area Plating Material	Tin
Contact Base Material	Copper
Contact Current Rating (Max)	8 A

Housing Features

Housing Material	High Temperature Nylon or Polyester
Centerline (Pitch)	5 mm [.196 in]

Dimensions

Wire Size	20 – 14 AWG
-----------	-------------

Usage Conditions

Operating Temperature Range	-40 – 105 °C [-40 – 221 °F]
-----------------------------	-----------------------------

Operation/Application

Circuit Application	Power & Signal
---------------------	----------------

Packaging Features

Packaging Method	Box & Carton
------------------	--------------

Product Compliance

[For compliance documentation, visit the product page on TE.com>](#)

EU RoHS Directive 2011/65/EU	Compliant
EU ELV Directive 2000/53/EC	Compliant
China RoHS 2 Directive MIIT Order No 32, 2016	No Restricted Materials Above Threshold
EU REACH Regulation (EC) No. 1907/2006	Current ECHA Candidate List: JUNE 2023 (235) Candidate List Declared Against: JUNE 2023 (235) Does not contain REACH SVHC
Halogen Content	Low Halogen - Br, Cl, F, I < 900 ppm per homogenous material. Also BFR/CFR/PVC Free
Solder Process Capability	Wave solder capable to 260°C

Product Compliance Disclaimer

This information is provided based on reasonable inquiry of our suppliers and represents our current actual knowledge based on the information they provided. This information is subject to change. The part numbers that TE has identified as EU RoHS compliant have a maximum concentration of 0.1% by weight in homogenous materials for lead, hexavalent chromium, mercury, PBB, PBDE, DBP, BBP, DEHP, DIBP, and 0.01% for cadmium, or qualify for an exemption to these limits as defined in the Annexes of Directive 2011/65/EU (RoHS2). Finished electrical and electronic equipment products

will be CE marked as required by Directive 2011/65/EU. Components may not be CE marked. Additionally, the part numbers that TE has identified as EU ELV compliant have a maximum concentration of 0.1% by weight in homogenous materials for lead, hexavalent chromium, and mercury, and 0.01% for cadmium, or qualify for an exemption to these limits as defined in the Annexes of Directive 2000/53/EC (ELV). Regarding the REACH Regulation, the information TE provides on SVHC in articles for this part number is based on the latest European Chemicals Agency (ECHA) 'Guidance on requirements for substances in articles' posted at this URL: <https://echa.europa.eu/guidance-documents/guidance-on-reach>

Compatible Parts



TE Part # CAT-B8519-P7565
Poke-In Connector, BUCHANAN WireMate



TE Part # CAT-SL36-M6642B
Miniature Headers, SlimSeal



TE Part # 2834334-2
4.0PITCH ITB CONN_2P_W CAP_NATURAL



TE Part # 2834385-2
RELEASE POKE-IN CONNECTOR_2P_NATURAL

Customers Also Bought



TE Part # 2-6609129-3
SEFM1S=F8107



TE Part # 5747844-4
09 MSFL RCPT RA 318 (IN,FM,BL)



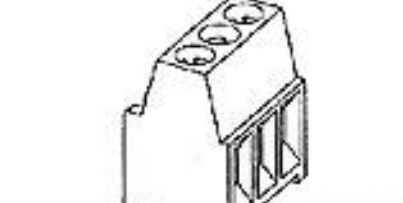
TE Part # 5-747904-5
9 Plug Solder Cup, 30 gold, Ro



TE Part # 6-1393243-8
RT424024



TE Part # 1-2834016-6
6POS 2.54MM SES CONN.



TE Part # 1546551-2
2P,STRAIGHT,SIDE ENTRY,3.5MM



TE Part # 1437566-3
FSMSM=3.5X6 SMT TACT



TE Part # 2-2176339-2
CRGCO 0603 560R 1%



TE Part # 5052942064
RNF-100-3/32-0-STK

Documents

[Product Drawings](#)



4POS 5.0MM TEPS CONN.

English

CAD Files

3D PDF

3D

Customer View Model

[ENG_CVM_CVM_1-2834018-4_1.2d_dxf.zip](#)

English

Customer View Model

[ENG_CVM_CVM_1-2834018-4_1.3d_igs.zip](#)

English

Customer View Model

[ENG_CVM_CVM_1-2834018-4_1.3d_stp.zip](#)

English

By downloading the CAD file I accept and agree to the [Terms and Conditions](#) of use.

Datasheets & Catalog Pages

Modular Screwless Terminal Blocks Flyer

English

Product Specifications

Application Specification

English

Instruction Sheets

Instruction Sheet (non U.S.)

English