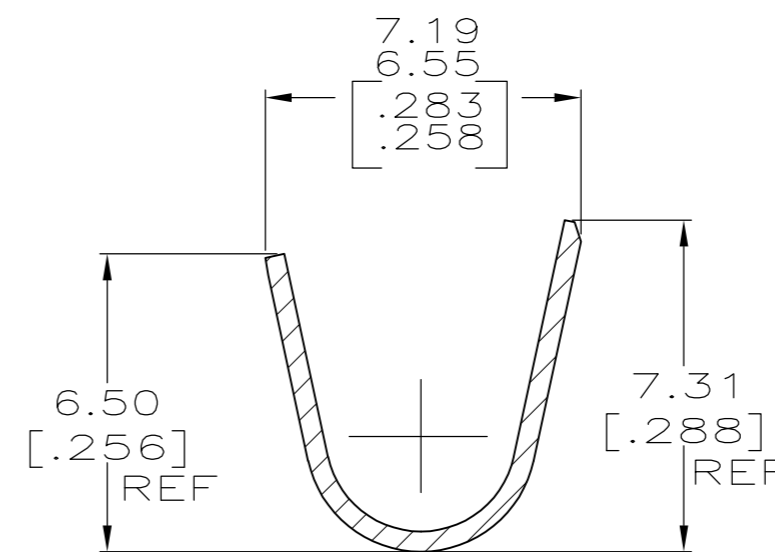
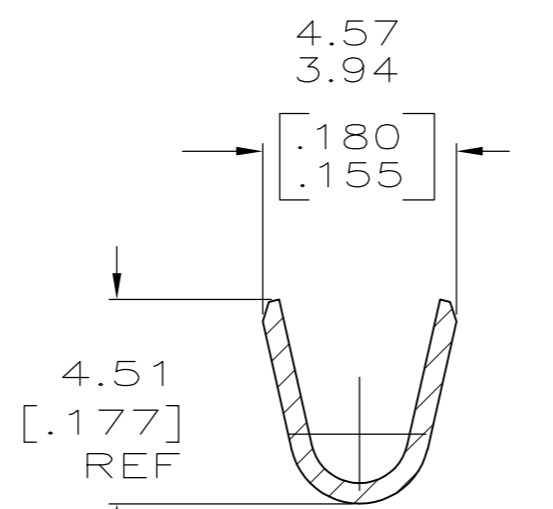
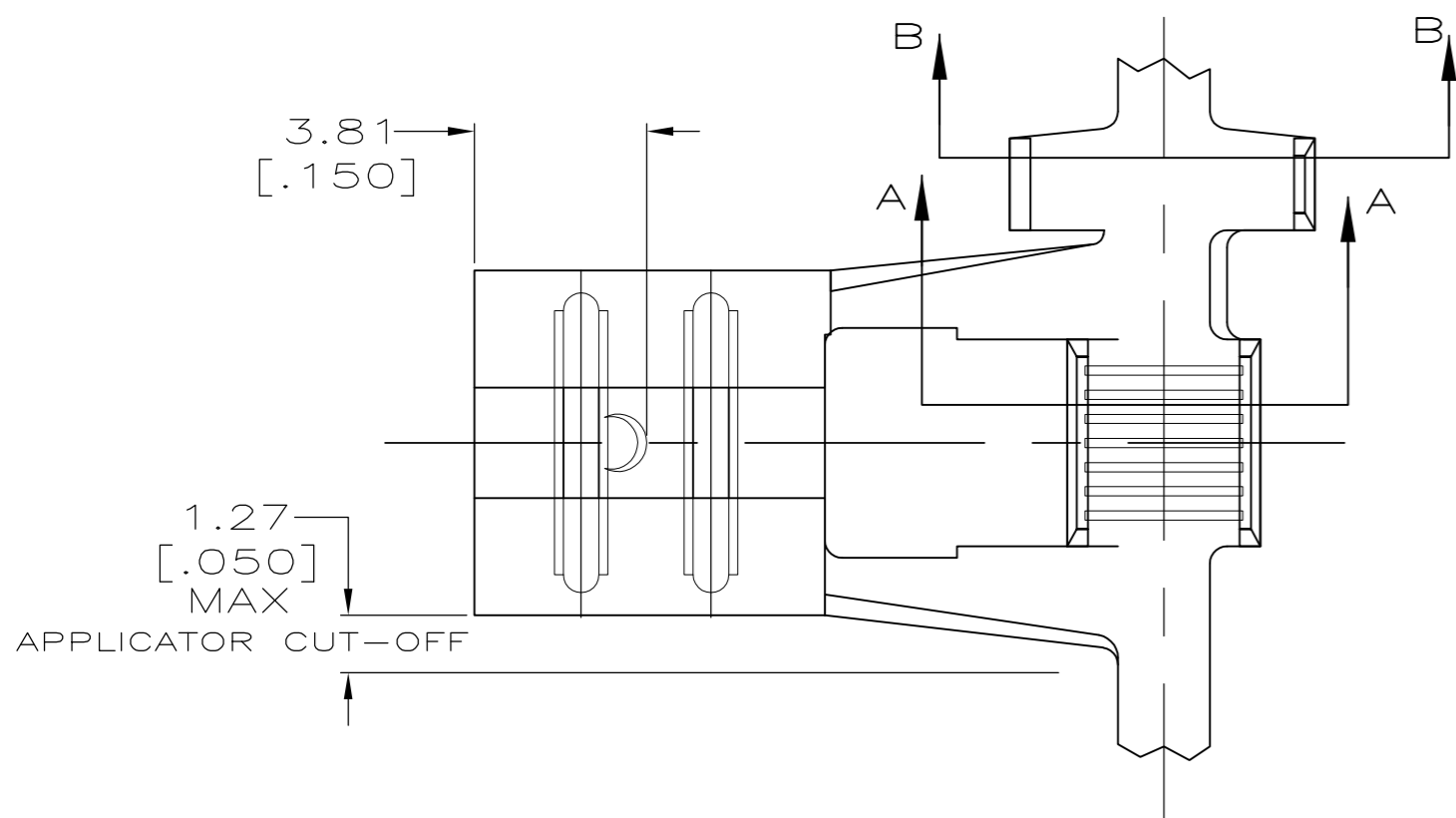


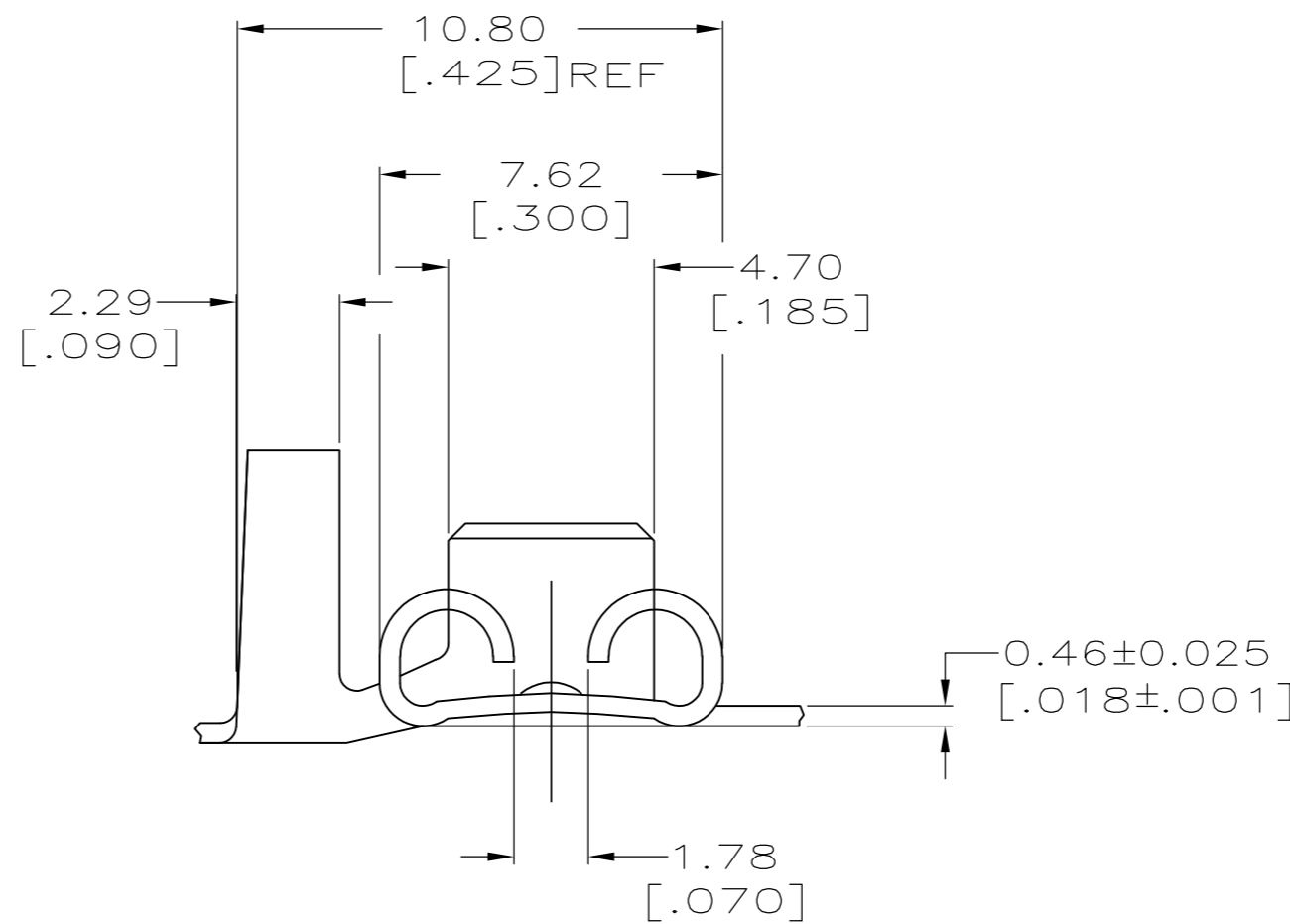
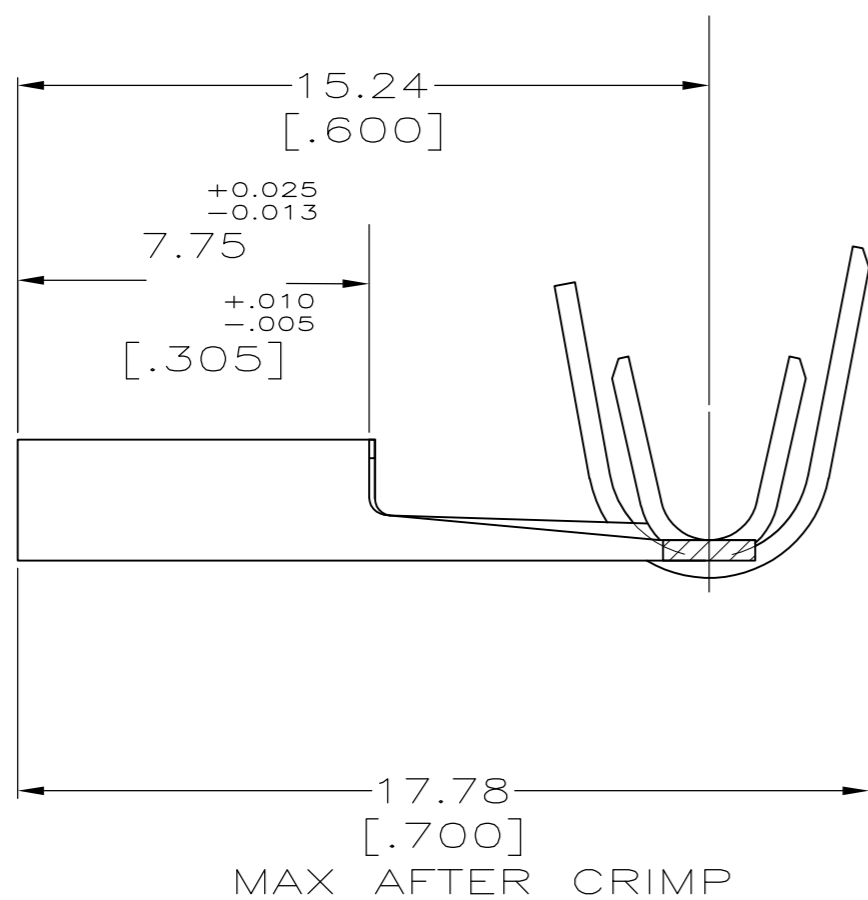
THIS DRAWING IS UNPUBLISHED. RELEASED FOR PUBLICATION
 © COPYRIGHT BY TYCO ELECTRONICS CORPORATION. ALL RIGHTS RESERVED.

LOC	DIST	REVISIONS			
P	LTR	DESCRIPTION	DATE	DWN	APVD
AF	50	B1	REVISED PER ECR-08-000443	09JAN08	HMR PD



SECTION A-A

SECTION B-B



- 1 CONTINUOUS STRIP ON REELS
- 2 MATING TAB THK TO BE 0.813 ± 0.025 [.032 ± .001].
- 3 WIRE SIZE IS [#16-#12] AWG.
- 4 INSULATION RANGE IS 3.05-4.32 [.120-.170] DIA.

63944

B

A

63944-1
 PART NO.

THIS DRAWING IS A CONTROLLED DOCUMENT.		DWN	JR RUTH	11/04/96	Tyco Electronics Corporation Harrisburg, PA 17105-3608
DIMENSIONS:		CHK	MS FEHER	11/04/96	
mm [INCHES]		APVD	P DESANTIS	11/04/96	
TOLERANCES UNLESS OTHERWISE SPECIFIED:		PRODUCT SPEC	NAME		
0 PLC ± - 1 PLC ± - 2 PLC ± 0.25 [.010] 3 PLC ± - 4 PLC ± - ANGLES ± -		APPLICATION SPEC	RECEPTACLE, FASTON, FLAG, AMPLIVAR, 6.35 [.250] SERIES		
MATERIAL	H03 PHOS BRONZE	FINISH	0.002032 [.000080] MIN TIN	WEIGHT	-
CUSTOMER DRAWING		SCALE	6:1	SHEET	1 OF 1
		REV	B1		