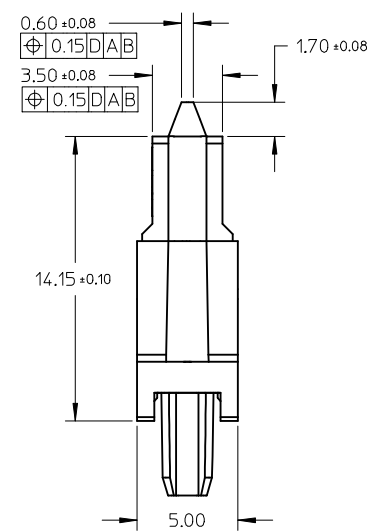
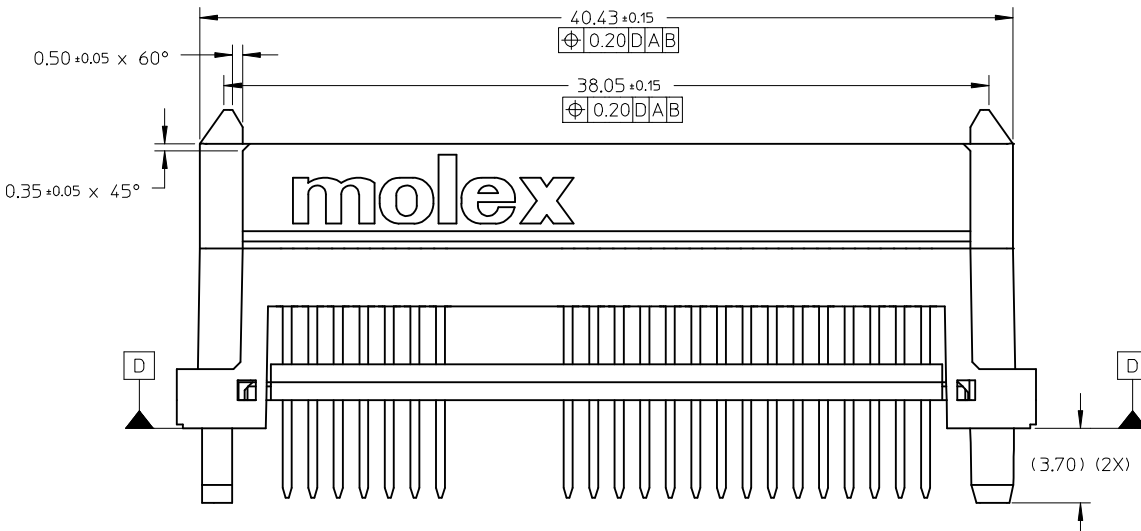
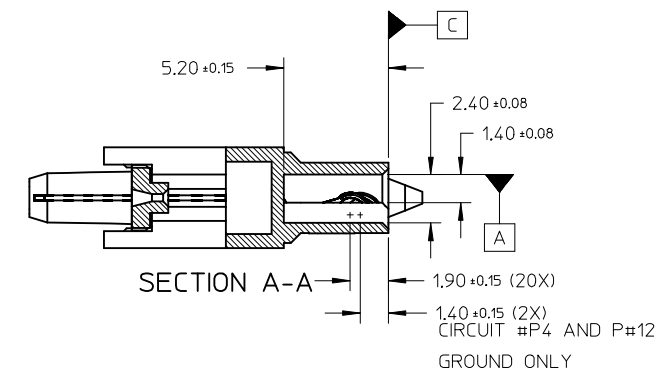
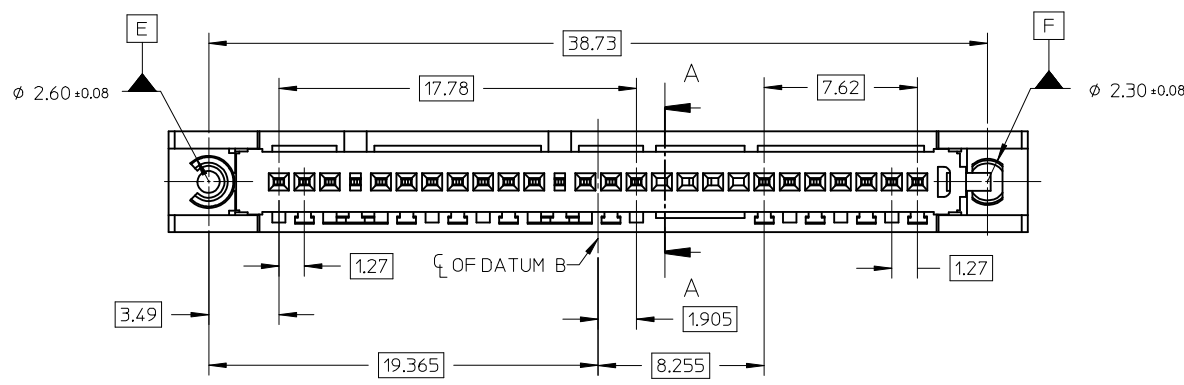
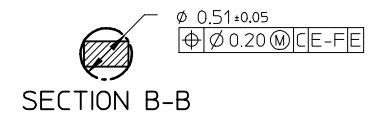
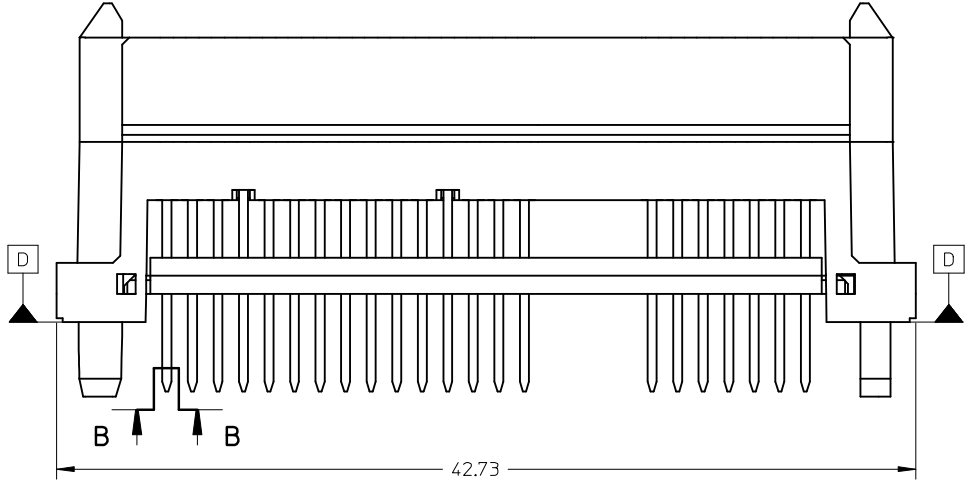


- NOTES:
1. MATERIAL: LCP, GLASS FILLED, UL 94V-0, COLOR: BLACK
TERMINAL: COPPER ALLOY
 2. PLATING
CONTACT: 0.76µm MIN. SELECTIVE GOLD OVER 1.27µm MIN. NICKEL UNDERPLATE
SOLDERTAIL: 2.54µm MIN. TIN OVER 1.27µm MIN. NICKEL UNDERPLATE
 3. MOLEX LOGO LOCATED APPROXIMATELY AS SHOWN
 4. MAXIMUM WARPAGE OF 0.13 mm OVER THE LENGTH OF THE CONNECTOR IN ANY DIRECTION BEFORE AND AFTER EXPOSURE TO MAX. 260°C FOR 10 SECONDS
 5. PRODUCT SPECIFICATION 87678-029 APPLIES
 6. PACKAGING
30 CONNECTORS PER TRAY



| | | | | | | | | | | |
|---|-------------------------------|---------------------------------------|-------|----------------------------|----------------------|--|---|------------------------------|--|--|
| OBS TIN/LEAD P/N EC NO: S2006-0984 DRWN:MLONG 2006/04/04 CHKD:GJAN 2006/04/04 APPR:KCLING 2006/04/04 | QUALITY SYMBOLS ▽=0 ◻=0 | GENERAL TOLERANCES (UNLESS SPECIFIED) | | DIMENSION STYLE MM ONLY | | SCALE NTS | DESIGN UNITS METRIC | THIRD ANGLE PROJECTION | | |
| | | | mm | INCH | DRAWN BY DKOH | DATE 2003/03/20 | TITLE SERIAL ATA BACKPLANE EXT. HT., RECEPT., T/H | | | |
| | | 4 PLACES | ± --- | ± --- | CHECKED BY KCLING | DATE 2003/03/28 | APPROVED BY SKTOH | | | |
| | | 3 PLACES | ± --- | ± --- | DATE 2003/03/31 | | MATERIAL NO. 87678-1001 | | | |
| | 2 PLACES | ± 0.20 | ± --- | APPROVED BY SKTOH | | DATE 2003/03/31 | | DOCUMENT NO. SD-87678-023 | | |
| | 1 PLACE | ± --- | ± --- | ANGULAR ± 3° | | MATERIAL NO. 87678-1001 | | DOCUMENT NO. SD-87678-023 | | |
| DRAFT WHERE APPLICABLE MUST REMAIN WITHIN DIMENSIONS | | | | SIZE A3 | | THIS DRAWING CONTAINS INFORMATION THAT IS PROPRIETARY TO MOLEX INCORPORATED AND SHOULD NOT BE USED WITHOUT WRITTEN PERMISSION | | | | |

10 9 8 7 6 5 4 3 2 1



| | | | | | | | | |
|---|-------------------------------|--|--------|-----------------|--|--------------|------------------------|--|
| OBS TIN/LEAD P/N EC NO: S2006-0984 DRW:MLONG 2006/04/04 CHKD:GTAN 2006/04/04 APPR:KCLING 2006/04/04 | QUALITY SYMBOLS ▽=0 ◻=0 | GENERAL TOLERANCES (UNLESS SPECIFIED) | | DIMENSION STYLE | SCALE | DESIGN UNITS | THIRD ANGLE PROJECTION | |
| | | mm | INCH | MM ONLY | NTS | METRIC | | |
| | | 4 PLACES | ± --- | ± --- | DRAWN BY | DATE | | TITLE |
| | | 3 PLACES | ± --- | ± --- | OKOH | 2003/03/20 | | SERIAL ATA BACKPLANE EXT. HT., RECEPT., T/H |
| REV | DESCRIPTION | 2 PLACES | ± 0.20 | ± --- | CHECKED BY | DATE | MOLEX INCORPORATED | |
| | | 1 PLACE | ± --- | ± --- | KCLING | 2003/03/28 | | |
| | | ANGULAR ± 3 ° | | APPROVED BY | DATE | DOCUMENT NO. | | |
| | | DRAFT WHERE APPLICABLE MUST REMAIN WITHIN DIMENSIONS | | SKTOH | 2003/03/31 | 87678-1001 | | |
| | | | | SIZE | THIS DRAWING CONTAINS INFORMATION THAT IS PROPRIETARY TO MOLEX INCORPORATED AND SHOULD NOT BE USED WITHOUT WRITTEN PERMISSION | | SHEET NO. 2 OF 4 | |

9 8 7 6 5 4 3 2 1

10 9 8 7 6 5 4 3 2 1

F

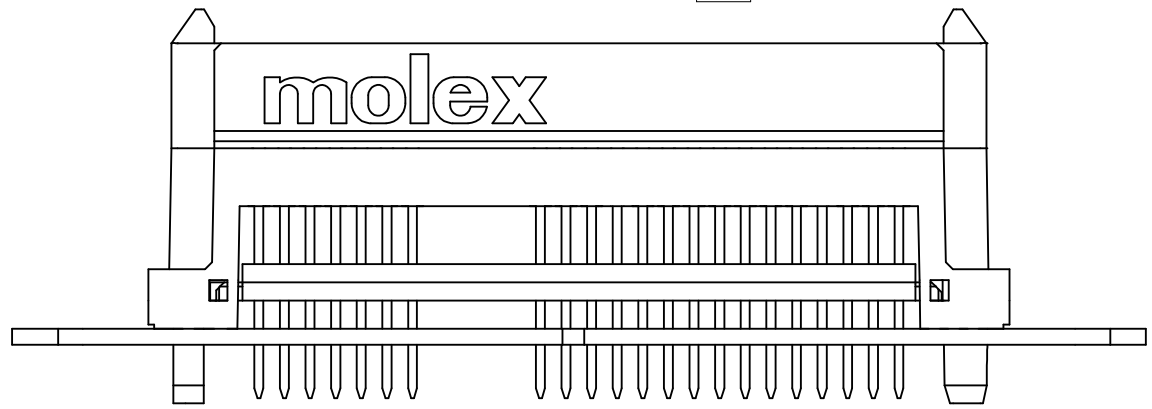
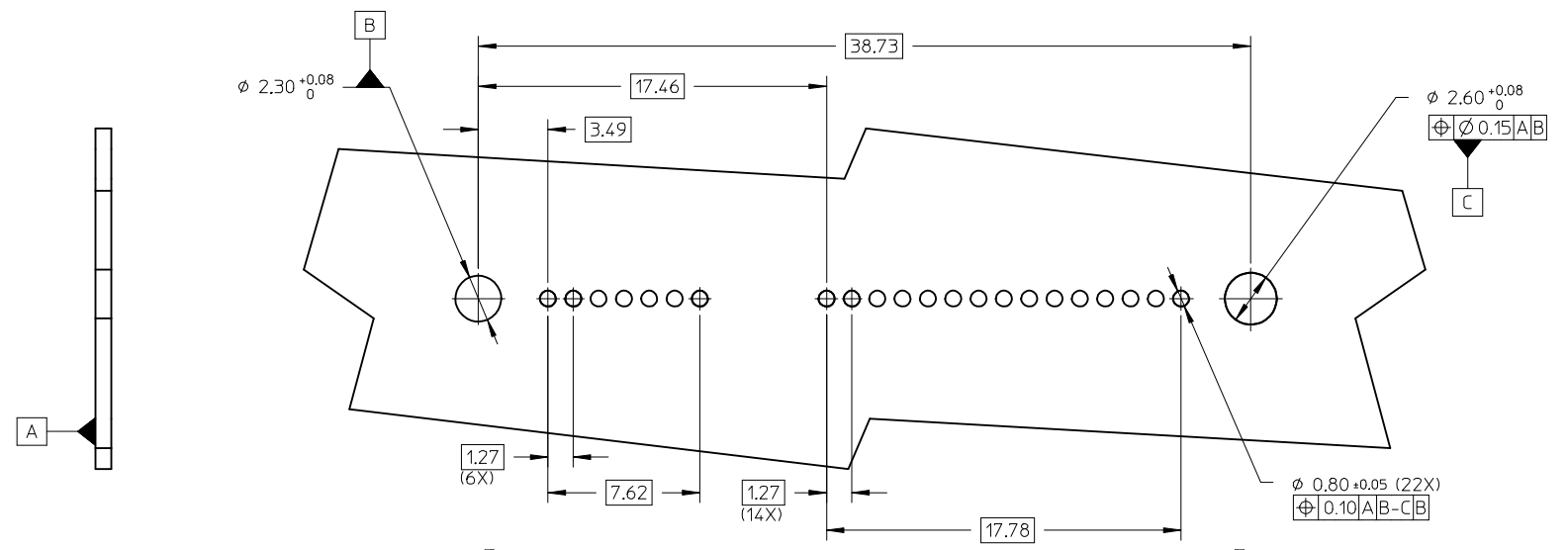
E

D

C

B

A



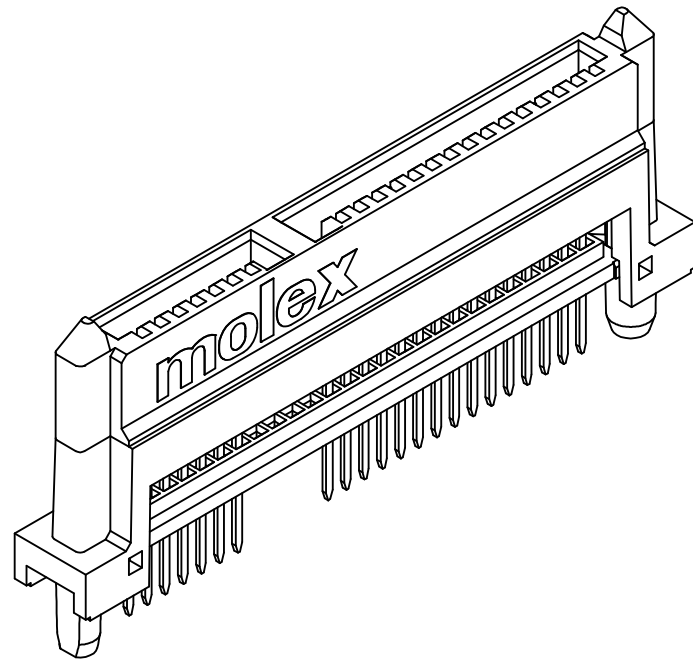
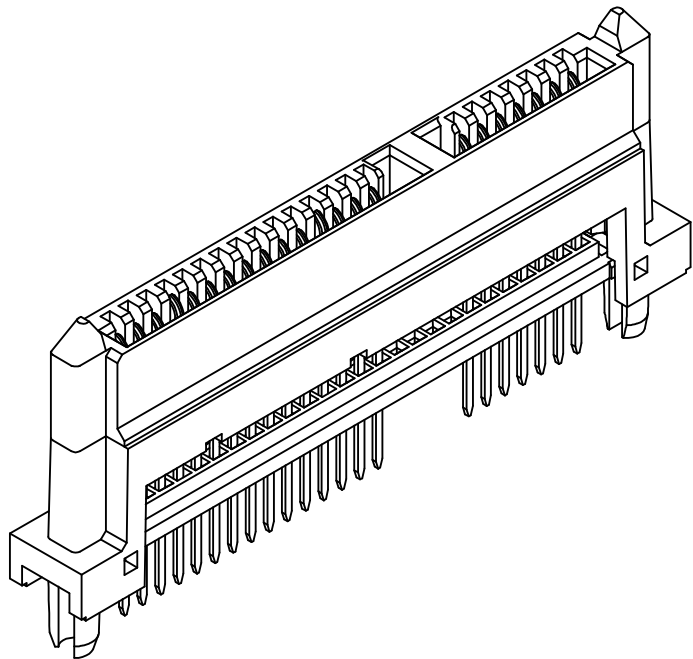
PCB THICKNESS: 0.80 mm - 2.50 mm
RECOMMENDED PCB LAYOUT

| | | |
|--|-----------------|-------------|
| OBS TIN/LEAD P/N EC NO: S2006-0984 DRAWN:MLONG 2006/04/04 CHKD:CGTAN 2006/04/04 APPR:KCLING 2006/04/04 | QUALITY SYMBOLS | DESCRIPTION |
| | ▽=0 | |
| | ∇=0 | |
| | REV | |
| | | |

| | | | |
|--|----------|--------|-------|
| GENERAL TOLERANCES (UNLESS SPECIFIED) | | mm | INCH |
| | 4 PLACES | ± --- | ± --- |
| | 3 PLACES | ± --- | ± --- |
| | 2 PLACES | ± 0.20 | ± --- |
| | 1 PLACE | ± --- | ± --- |
| ANGULAR ± 3 ° | | | |
| DRAFT WHERE APPLICABLE MUST REMAIN WITHIN DIMENSIONS | | | |

| | | | | |
|-----------------|------------|---|--------------|------------------------|
| DIMENSION STYLE | | SCALE | DESIGN UNITS | THIRD ANGLE PROJECTION |
| MM ONLY | | NTS | METRIC | |
| DRAWN BY | DATE | TITLE | | |
| DKOH | 2003/03/20 | SERIAL ATA BACKPLANE EXT. HT., RECEPT., T/H | | |
| CHECKED BY | DATE | MOLEX INCORPORATED | | |
| KCLING | 2003/03/28 | DOCUMENT NO. | | |
| APPROVED BY | DATE | 87678-1001 SD-87678-023 | | |
| SKTOH | 2003/03/31 | SHEET NO. | | |
| MATERIAL NO. | | 3 OF 4 | | |
| SIZE | | THIS DRAWING CONTAINS INFORMATION THAT IS PROPRIETARY TO MOLEX INCORPORATED AND SHOULD NOT BE USED WITHOUT WRITTEN PERMISSION | | |
| A3 | | | | |

9 8 7 6 5 4 3 2 1



| | | | | | | | | | |
|---|--------------------|--|---|---|--------------|--------------|--|-------|--|
| OBS TIN/LEAD P/N EC NO: S2006-0984 DRWN:MLONG 2006/04/04 CHKD:CGTAN 2006/04/04 APPR:KCLING 2006/04/04 | DESCRIPTION REV | QUALITY SYMBOLS | GENERAL TOLERANCES (UNLESS SPECIFIED) | DIMENSION STYLE | SCALE | DESIGN UNITS | THIRD ANGLE PROJECTION | | |
| | | $\nabla=0$ $\square=0$ | mm INCH 4 PLACES ± --- ± --- 3 PLACES ± --- ± --- 2 PLACES ± 0.20 ± --- 1 PLACE ± --- ± --- ANGULAR ± 3 ° | MM ONLY | NTS | METRIC | DRAWN BY: DKOH DATE: 2003/03/20 CHECKED BY: KCLING DATE: 2003/03/28 APPROVED BY: SKTOH DATE: 2003/03/31 | TITLE | SERIAL ATA BACKPLANE EXT. HT., RECEPT., T/H |
| | | DRAFT WHERE APPLICABLE MUST REMAIN WITHIN DIMENSIONS | | MATERIAL NO. | DOCUMENT NO. | | SHEET NO. | | |
| | | SIZE: A3 | | THIS DRAWING CONTAINS INFORMATION THAT IS PROPRIETARY TO MOLEX INCORPORATED AND SHOULD NOT BE USED WITHOUT WRITTEN PERMISSION | | | | | |