

THIS DRAWING IS UNPUBLISHED. RELEASED FOR PUBLICATION 20  
 © COPYRIGHT 20 BY TYCO ELECTRONICS CORPORATION. ALL RIGHTS RESERVED.

LOC		RIST		REVISIONS			
J				変更			
P	LTR	DESCRIPTION		DATE	DWN	APVD	
		D	REVISED	ECR-09-002844	03JUL09	RN	SK

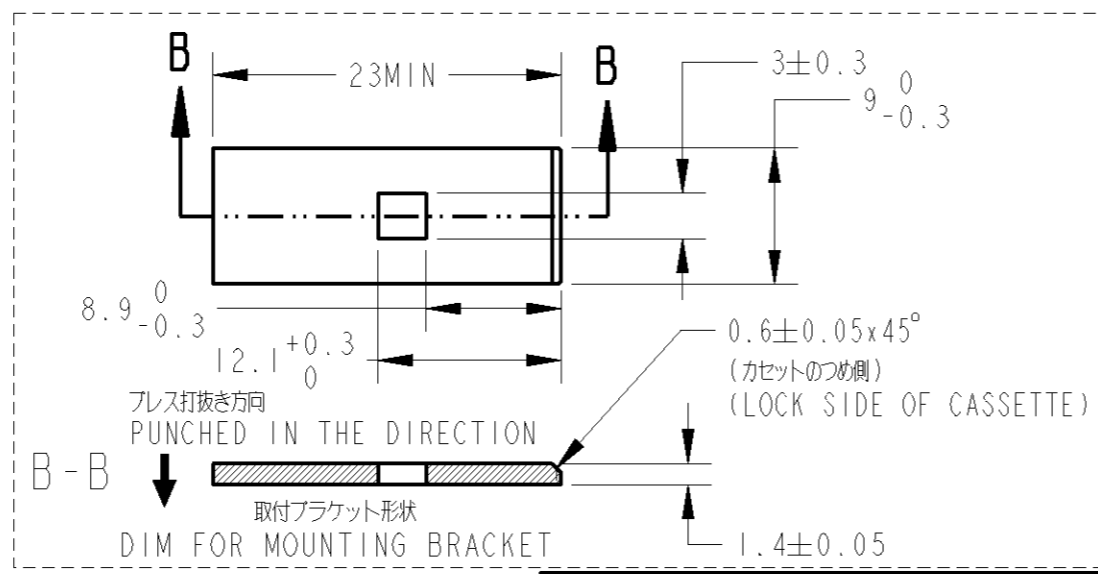
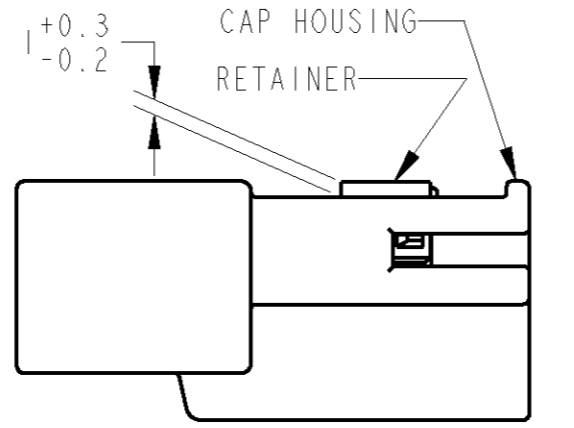
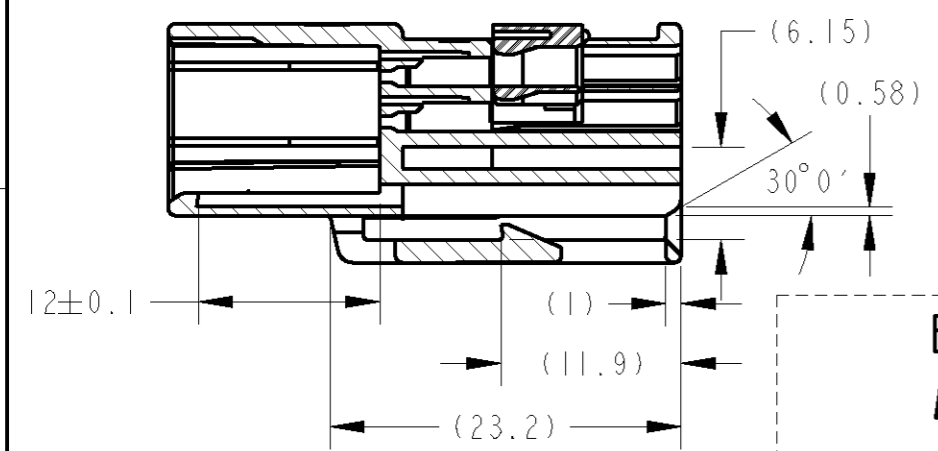
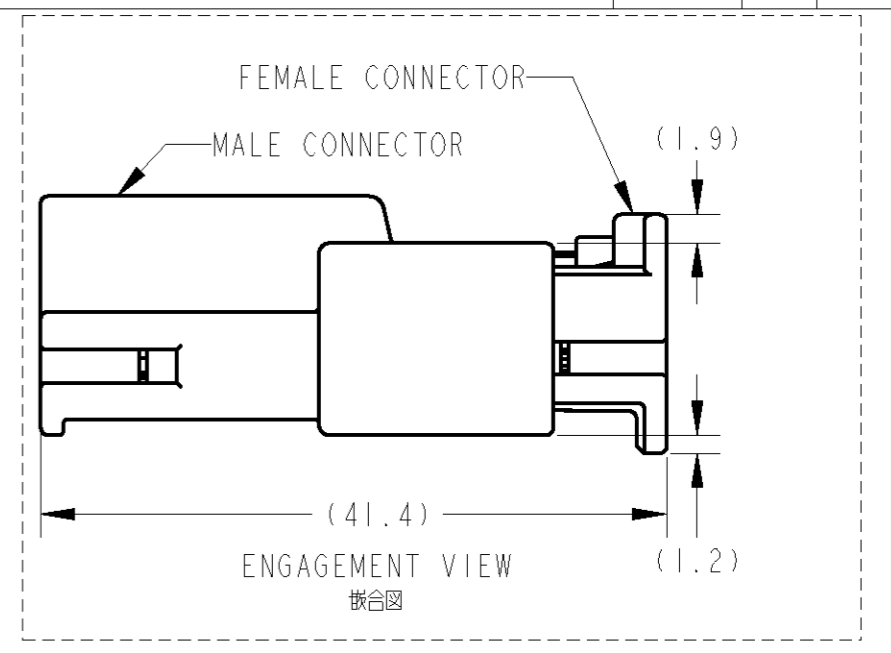
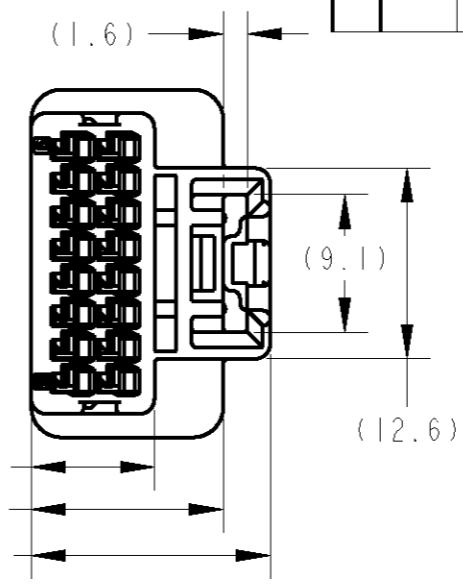
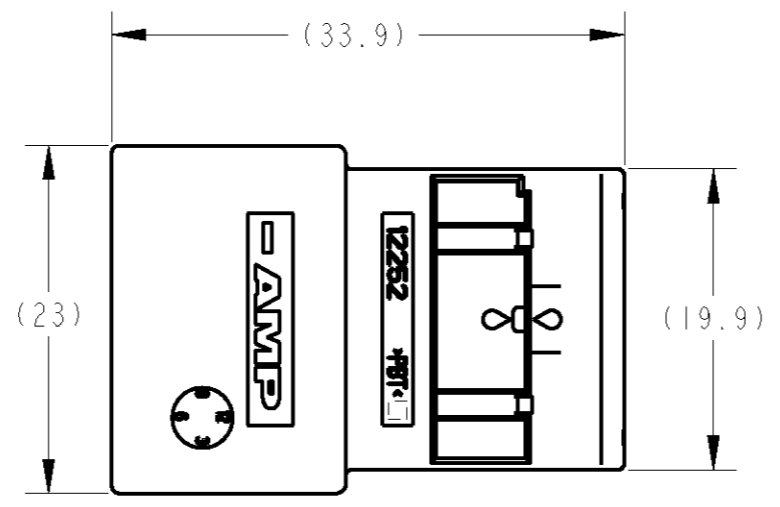
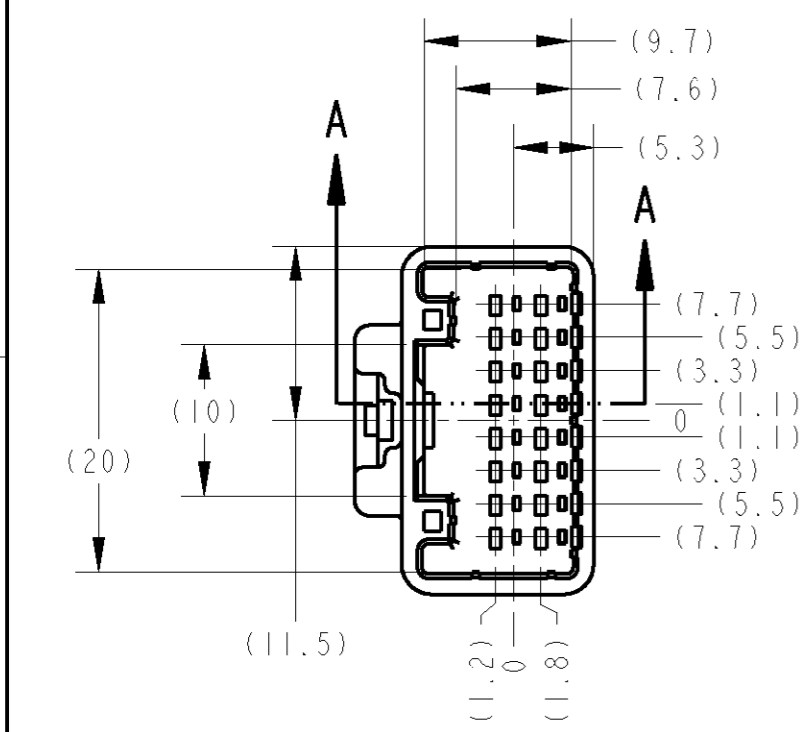


TABLE-1

POS 極数	FEMALE CONNECTOR PART NO メスコネクタ 型番
16	1318386

TABLE-2

		TERMINAL NO 適用型番	APPLICABLE WIRE RANGE 適用電線
SIGNAL 025	TIN	1376109-1	CAVS 0.3~0.5mm <sup>2</sup> AVSS/CAVUS/AVSSH-f 0.3~0.5mm <sup>2</sup>
PAPER BOX ダンボール	PLASTIC BAG ビニール袋	NATURAL	1473203-1
OUTER 外装	INNER 内装	COLOR	PART NUMBER
PACKING STYLE 梱包形態			

1. プラグハウジングにダブルロックプレートを仮係止して出荷される。
2. 仮係止時プレート突起がハウジングの外側に出ていること。
3. 嵌合相手型番はTABLE-1参照
4. 適用端子はTABLE-2参照
5. 取扱説明書 ; 411-5966

1. PLATE SHOULD BE SET TO THE PRE-ASSEMBLY POSITION WITHIN THE PLUG HOUSING WHEN SHIPPED TO THE CUSTOMER.
2. THE RETENTION LATCH OF THE PLATE MUST BE OUT SIDE OF PLUG HOUSING WHEN PRE-ASSEMBLY.
3. PART NUMBER OF CAP HOUSING TO BE MATED;SEE TABLE-1
4. APPLIED TERMINAL;SEE TABLE-2
5. INSTRUCTION SHEET NO ; 411-5966

THIS DRAWING IS A CONTROLLED DOCUMENT FOR TYCO ELECTRONICS CORPORATION  
 IT IS SUBJECT TO CHANGE AND THE CONTROLLING ENGINEERING ORGANIZATION  
 SHOULD BE CONTACTED FOR THE LATEST REVISION.

DIMENSIONS: 単位: 概 mm	TOLERANCES UNLESS OTHERWISE SPECIFIED: 一般公差 : ±0.3
	0 PLC ±
	1 PLC ±0.5
	2 PLC ±0.13
	3 PLC ±0.013
	4 PLC ±0.001
	ANGLES ±3'00"
MATERIAL 材料 PBT	FINISH 仕上 SEE TABLE

DWN Y. NOGUCHI	24JAN2001
CHK T. KOHNO	24JAN2001
APVD N. SAI	24JAN2001
PRODUCT SPEC 製品規格	108-5668
APPLICATION SPEC 取付適用規格	114-5291
WEIGHT	5.5 g

**Tyco Electronics** Tyco Electronics AMP K.K.  
Kawasaki, Japan

NAME  
名称 025 W-W 16POS OPPOSITE LOCK  
ENGAGED VIEW

SIZE	CAGE CODE	DRAWING NO 番号	RESTRICTED TO
A3	00779	1473203	

CUSTOMER DRAWING SCALE 2.1 SHEET OF 1 REV D