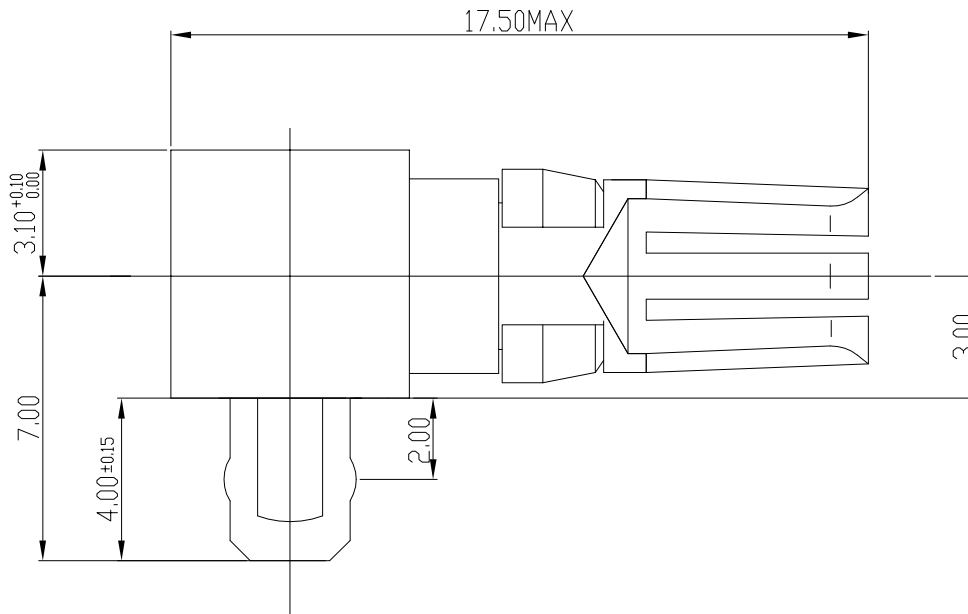


Tous droits strictement reserves. Reproduction ou communication a des tiers interdite sous quelque forme que ce soit sans autorisation écrite du propriétaire. Propriete de c FCI. Droits de reproduction FCI.



PERFORMANCE CHARACTERISTICS:

- \*MIN.PRESS-FIT RETENTION FORCE : 20N
- \*MAX CURRENT: 40 A
- \*ALLOWED PCB THICKNESS : MIN. 1.6 mm.

RECOMMENDED PLATED THROUGH HOLE:

- \*DRILLED HOLE : Ø 3.19 - 3.25 mm.
- \*FINISHED HOLE : Ø 3.02 - 3.20 mm.
- \*Cu PLATING : 25 um MIN.
- \*Sn/SnPb PLATING : 5 um MIN.

NOTE:

- 1, TO BE USED ONLY WITH TYPE L,M UN SHIELDED & TYPE N CONNECTOR.
- 2, FOR MISSING INFO SEE DRAWING BS,C ,201624,028

- 3, LEAD FREE INDICATOR : LF = LEAD FREE



PLATING CODE (REF DWG No. BS,C ,201624,028)

4. THIS PRODUCT (LF) MEETS EUROPEAN UNION DIRECTIVES AND OTHER COUNTRY REGULATIONS AS DESCRIBED IN GS-22-008



All rights strictly reserved. Reproduction or issue to third parties in any form whatever is not permitted without written authority from the proprietor. Property of FCI. Copyright FCI.

rev	ecn no	dr	date
A	CONVERSION REVISION 04	KN	14-09-01
B	EC B20050	MF	18-03-02
C	ADDING NOTE EC B20037	BVE	25/07/02
D	105-0091	ALEX B	04-06-05
E	105-0157	ALEX B	06-09-05
F	0607-0411	KASDN	17-10-07

Material		Spec ref		
Mat code		✓	tolerance 1DEC ± 0.2 1DEC 2DEC ± 0.1 2DEC ANGLES ± 1° HDKERN	
Heattreat			projection ⊕	MM
Plating/Finish			size A4	Scale 1/1
Dr	M.FRET	26-06-97		
Eng			Product family MILLIPACS	
Chr			Model Name	
Appr			Model Revision	
			REL Level	
		title	Rev.	
		FEMALE EYE O/T NEEDLE PRESS-FIT POWER CONTACT	F	
Pro/E file	catalog no	RC12PIE70-----	dwg no BSA201624020	
		CUSTOMER DRAWING	sheet 1 of 1	