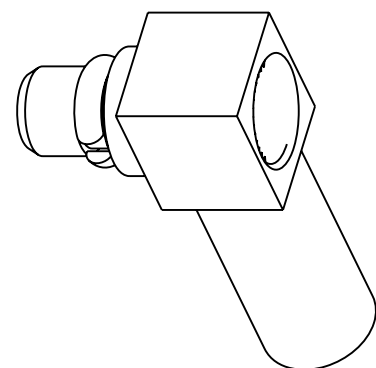
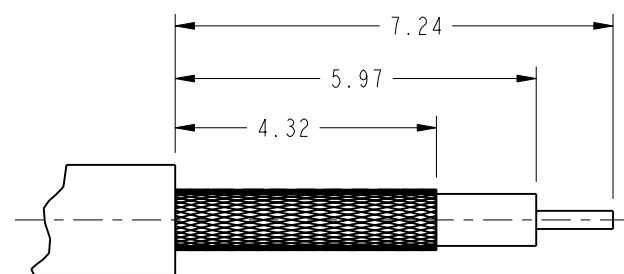


NOTES:

1. MATERIAL AND FINISH:
 - BODIES: BeCu, WHITE BRONZE PLATING
 - CONTACT: BeCu, GOLD PLATING OVER WHITE BRONZE
 - SPRING RING: BeCu, GOLD PLATING OVER WHITE BRONZE
 - COVER: BeCu, WHITE BRONZE PLATING
 - FERRULE: SEAMLESS COPPER TUBING, WHITE BRONZE PLATING
 - INSULATOR : PTFE
2. ELECTRICAL:
 - A. IMPEDANCE: 50 OHM
 - B. FREQUENCY RANGE: DC - 6 GHz
 - C. DIELECTRIC WITHSTANDING VOLTAGE: 500 VRMS, MIN.
3. MECHANICAL:
 - A. DURABILITY: 500 CYCLES MIN.
 - B. TEMPERATURE RANGE: -65° C TO 165° C
 - C. CRIMP WITH .105 INCH HEX.
4. PACKAGING:
 - A. QUANTITY: BULK PACK 100
 - B. MARKING: BAG TO BE MARKED
"AMPHENOL, 908-NM43200 100 PIECES, AND DATE CODE"
AND "NON-MAGNETIC CONNECTORS"
5. ASTERISK (*) INDICATES CABLE ENTRY DIMENSIONS



SCALE 5.000

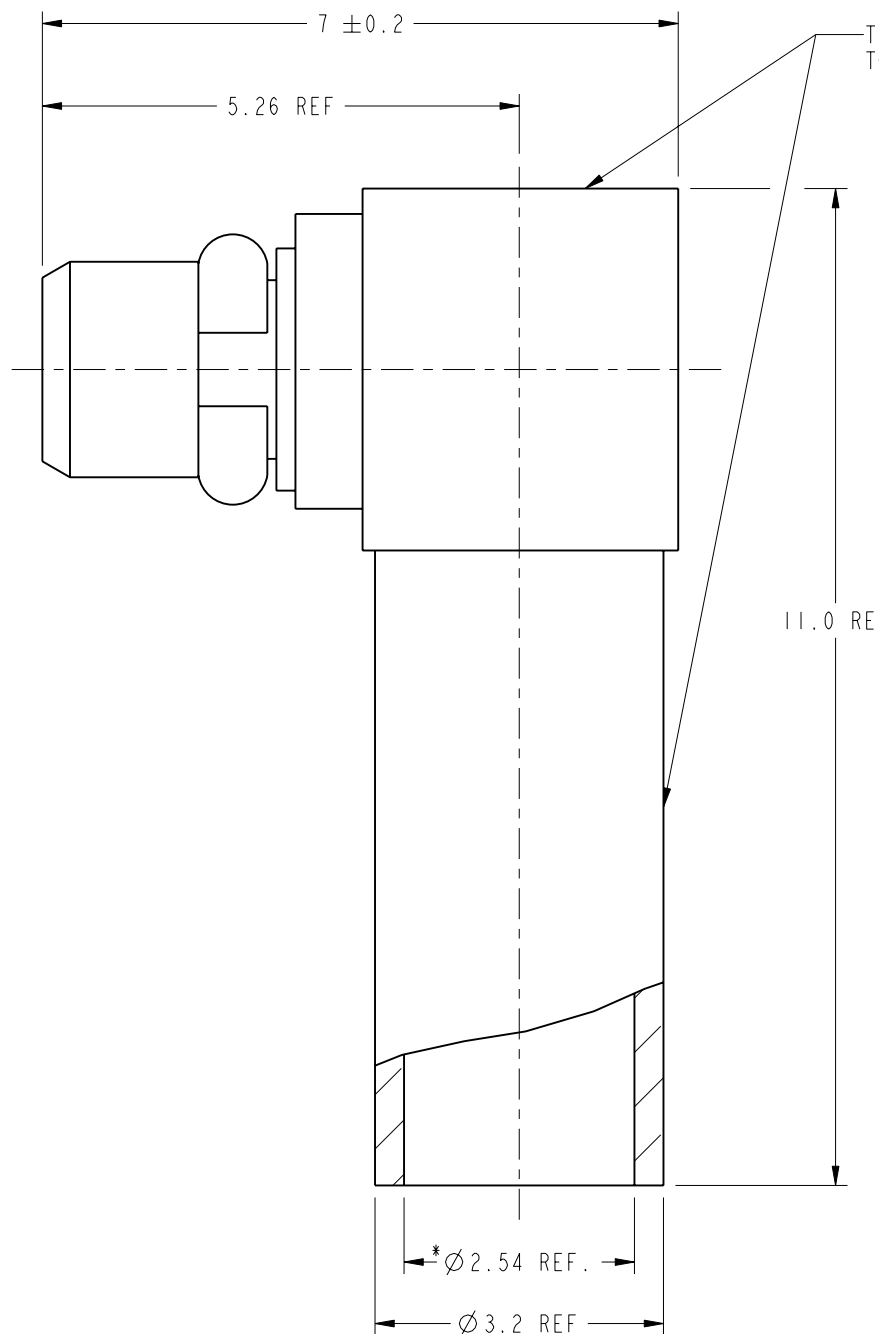


RECOMMENDED CABLE STRIPPING DIMENSIONS

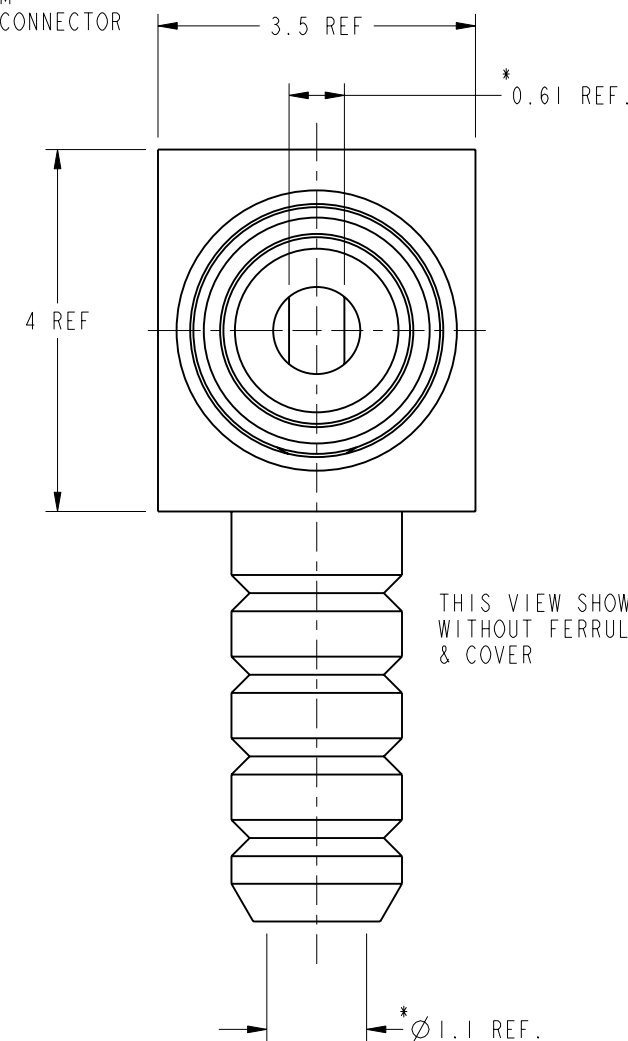
THIRD ANGLE PROJ.

REVISIONS

REV	DESCRIPTION	DATE	ECO	APPR
A	RELEASE TO MFG.	9/20/10	46108	KJC
B	SEE SHEET 2.	4/8/10	48017	KJC
C	7 ±.2 WAS 7.01 REF	9/20/10	48260	CPM
D	SEE SHEET 1	4/14/11	48339	JTS
E	SEE SHEET 1	28-Aug-12	49237	SH



THESE SURFACES MARKED "NM" TO SIGNIFY NON-MAGNETIC CONNECTOR



THIS VIEW SHOWN WITHOUT FERRULE & COVER

CUSTOMER OUTLINE DRAWING

ALL OTHER SHEETS ARE FOR INTERNAL USE ONLY

UNLESS OTHERWISE SPECIFIED, DIMENSIONS ARE IN METRIC AND TOLERANCES ARE:
0.5 - 6mm ±0.1mm 6 - 30mm ±0.2mm 30 - 120mm ± 0.3mm ANGLES ±1°

NOTICE - These drawings, specifications, or other data (1) are, and remain the property of Amphenol corp. (2) must be returned upon request; and (3) are confidential and not to be disclosed to any person other than those to whom they are given by Amphenol Corp. the finishing of these drawings, specifications, or other data by Amphenol Corp., or to any other person to anyone for any purpose is not to be regarded by implication or otherwise in any manner licensing, granting rights to permitting such holder or any other person to manufacture, use or sell any product, process or design, patented or otherwise, that may in any way be related to or disclosed by said drawings, specifications, or other data.

MATERIAL	-
REFERENCE	EAR # 1952 AND
CONFIGURATION LEVEL:	<input type="checkbox"/> <input type="checkbox"/> <input type="checkbox"/>
FINISH	

DRAWN	R.CHEN	DATE	28-Aug-12
ENGINEER	K. CAPOZZI	DATE	18-Jul-06
APPROVED	S.HSIEH	DATE	28-Aug-12
CAD FILE	I:\MMCX\908-NM43200		

TITLE		
ASSEMBLY MMCX		
RG-178 R/A PLUG		
NON MAGNETIC		
SCALE: 12.0:1.0	SHEET 2 OF 2	
DWG SIZE	CODE ID	REV
B	74868	E

Amphenol RF	
Danbury CT USA, Tainan, Taiwan, Shenzhen, China	
www.amphenolrf.com	
DRAWING NO. 908-NM43200	
ITEM NO. 908-NM43200	
PART NO. 908-NM43200	