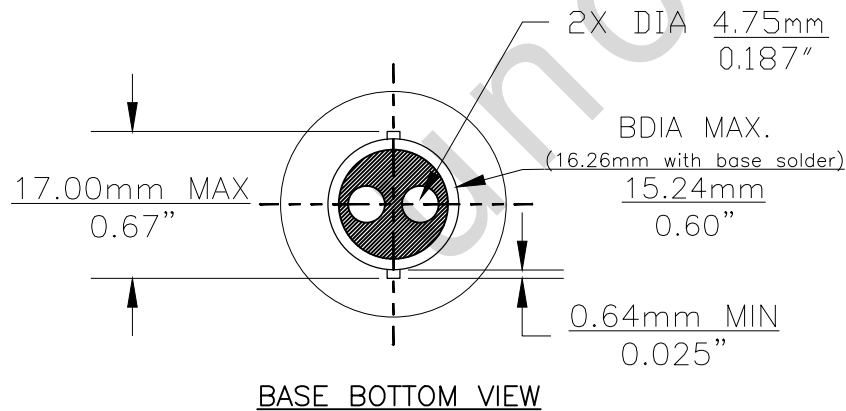
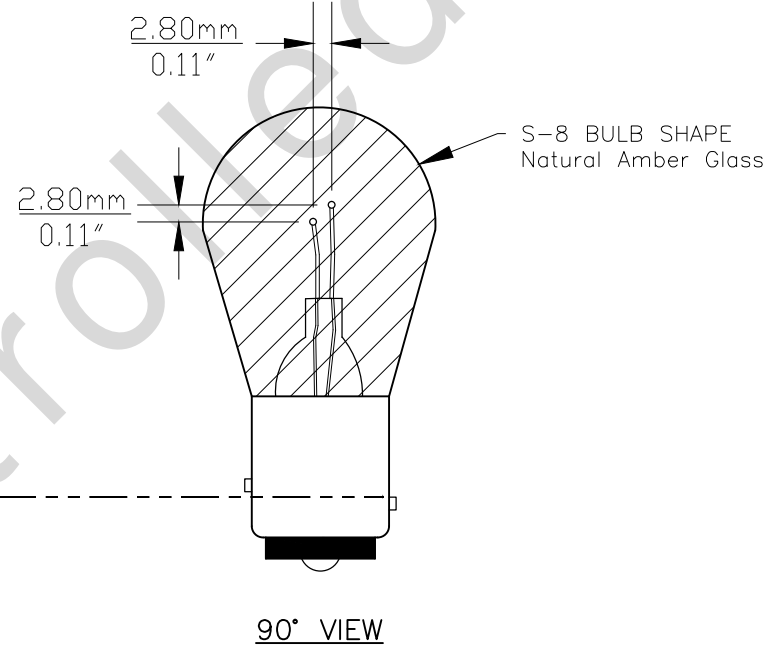
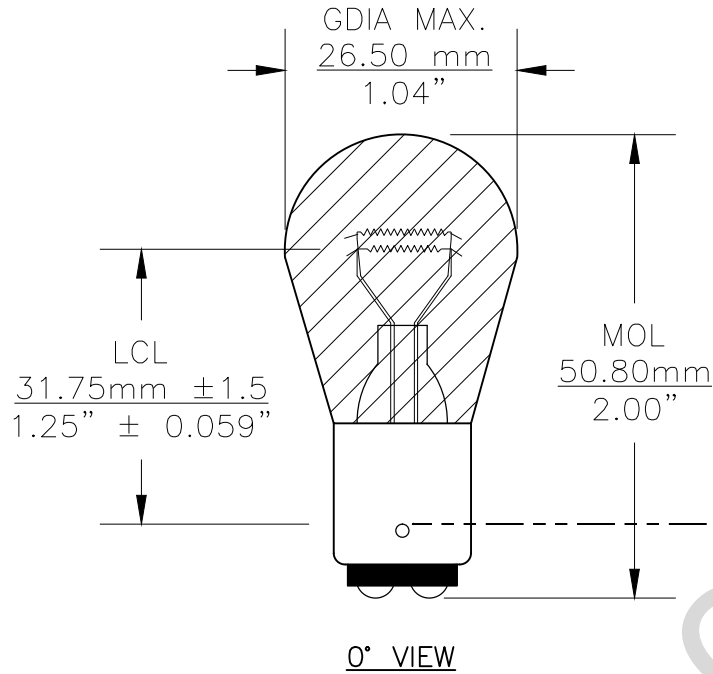




Since 1959

PART NO.	BASE TYPE	DESIGN VOLTS	DESIGN AMPS	MSCD	FILAMENT TYPE	AVERAGE LIFE HOURS	REVISIONS			
							REV #	DESCRIPTION	DATE	APPROVED
2357NA	D.C. INDEX BAY15d	12.8V 14V	2.23±5% 0.59±8%	30±30% 2.5±30%	C-6 C-6	400 5000	1	ISSUED	06/03/2013	D.C.



Note: Made according to SAE specifications

UNLESS OTHERWISE SPECIFIED: DIMENSIONS ARE IN INCHES TOLERANCES		CEC INDUSTRIES LTD			
DECIMALS	ANGULAR	599 BOND STREET		LINCOLNSHIRE, IL 60069	
.XX ± .05	± 0.5°	TITLE LIGHT BULB NO. 2357NA			
.XXX ± .010		SIZE A	FSCM NO.	DWG NO. 2357NA	REV 1
FRACTIONAL	± 1/64	DESIGN	SCALE	PLOT SCALE	SHEET 1 OF 1
DRAWN D.C.		DATE 06/13/2013	MATERIAL		
CHECKED		FILE 2357NA.pdf	DRAWING NOT TO SCALE		