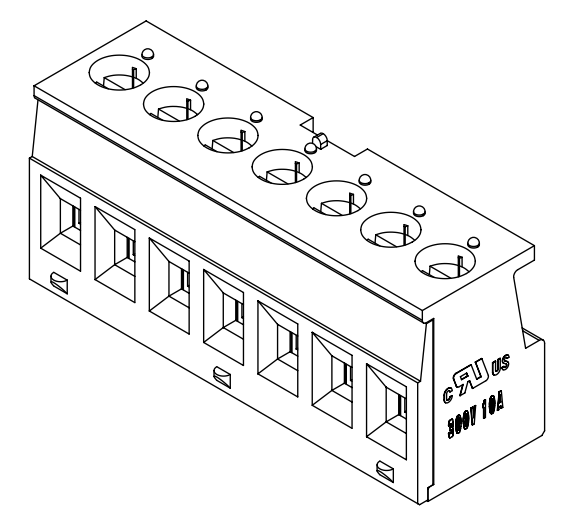
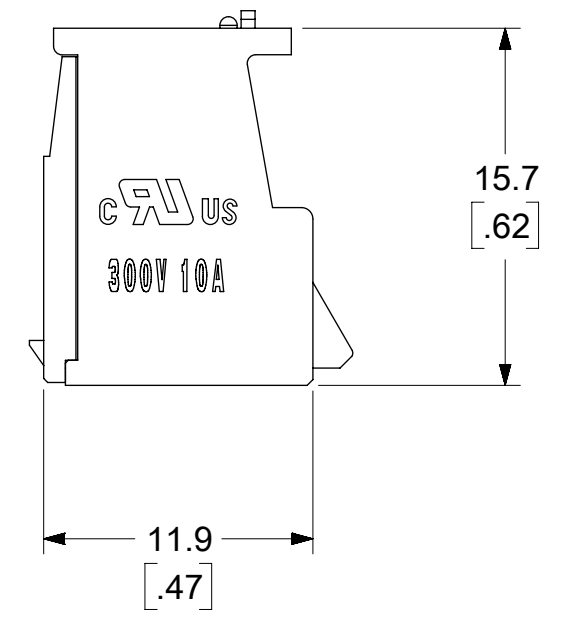
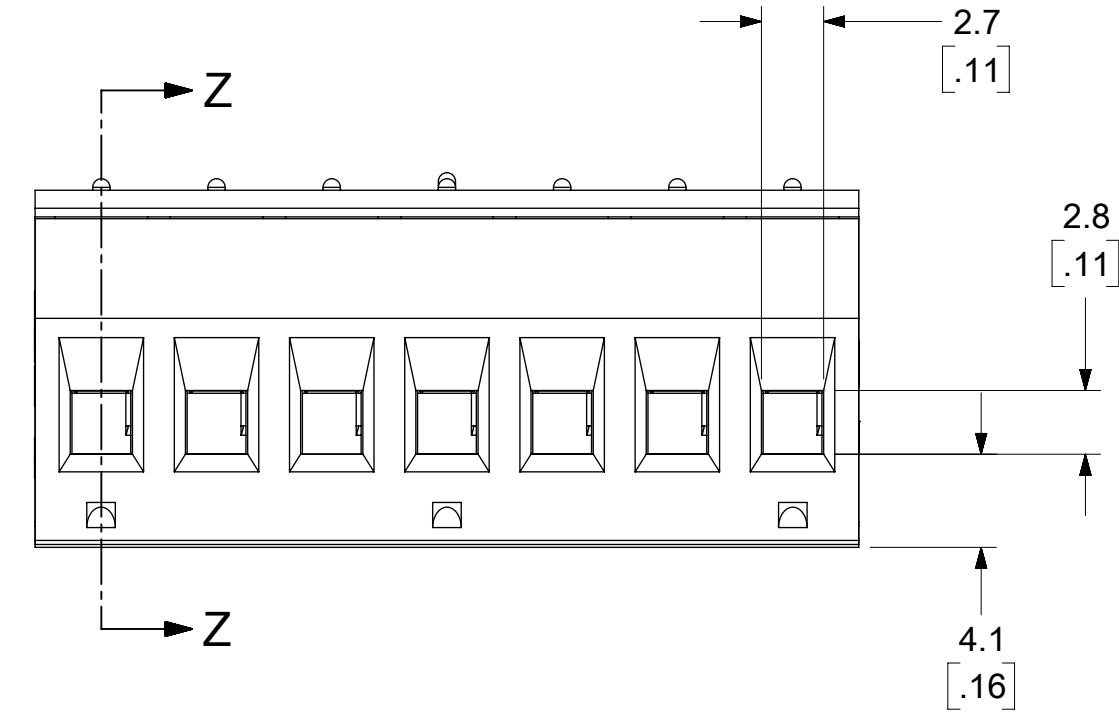
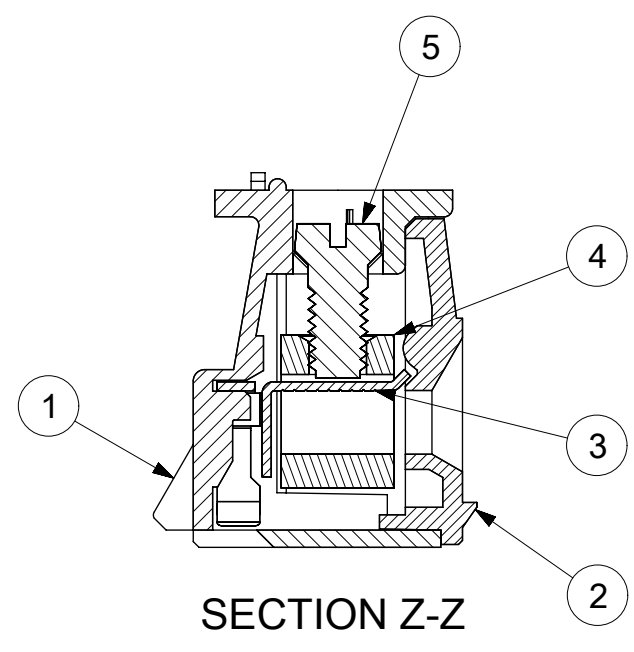
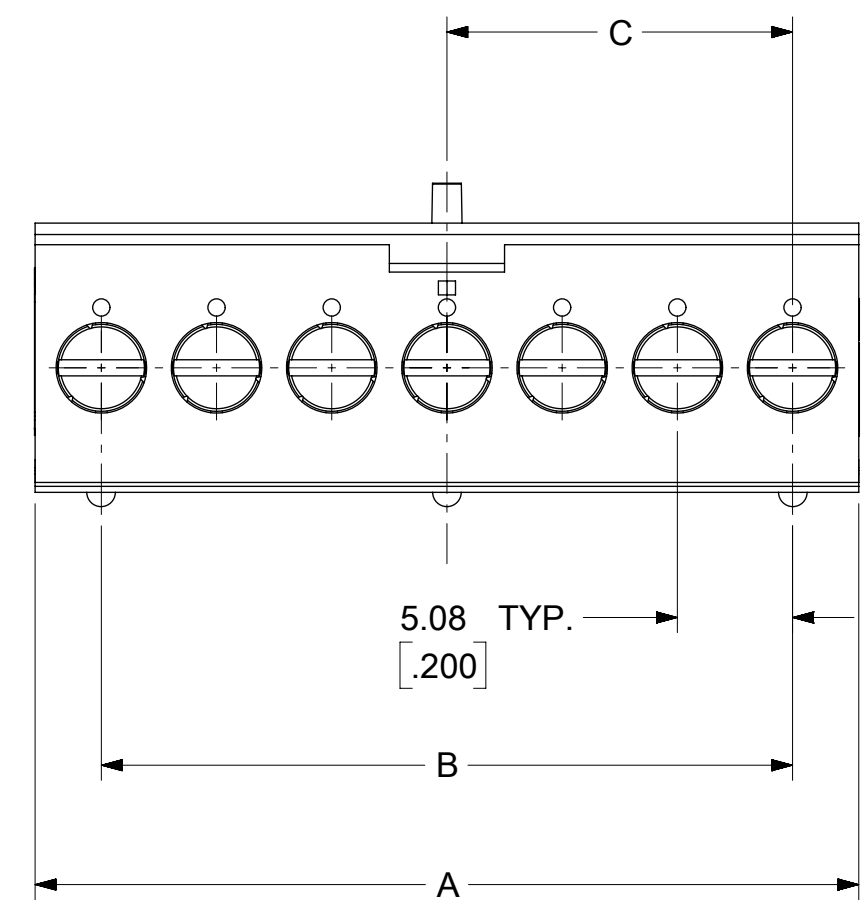


NUMBER OF CIRCUITS "XX"	MATERIAL NO.	ENG. NO.	DIM. "A"	DIM. "B"	DIM. "C"
02	399801302	980902-1	10.8 [.43]	5.08 [.200]	5.08 [.200]
03	399801303	980903-1	15.9 [.63]	10.16 [.400]	10.16 [.400]
04	399801304	980904-1	20.9 [.83]	15.24 [.600]	10.16 [.400]
05	399801305	980905-1	26.0 [1.03]	20.32 [.800]	10.16 [.400]
06	399801306	980906-1	31.1 [1.23]	25.40 [1.000]	15.24 [.600]
07	399801307	980907-1	36.2 [1.43]	30.48 [1.200]	15.24 [.600]
08	399801308	980908-1	41.3 [1.63]	35.56 [1.400]	20.32 [.800]
09	399801309	980909-1	46.3 [1.83]	40.64 [1.600]	20.32 [.800]
10	399801310	980910-1	51.4 [2.03]	45.72 [1.800]	25.40 [1.000]
11	399801311	980911-1	56.5 [2.23]	50.80 [2.000]	25.40 [1.000]
12	399801312	980912-1	61.6 [2.43]	55.88 [2.200]	30.48 [1.200]
13	399801313	980913-1	66.7 [2.63]	60.96 [2.400]	30.48 [1.200]
14	399801314	980914-1	71.8 [2.83]	66.04 [2.600]	35.56 [1.400]
15	399801315	980915-1	76.9 [3.03]	71.12 [2.800]	35.56 [1.400]
16	399801316	980916-1	81.9 [3.23]	76.20 [3.000]	40.64 [1.600]
17	399801317	980917-1	87.0 [3.43]	81.28 [3.200]	40.64 [1.600]
18	399801318	980918-1	92.2 [3.63]	86.36 [3.400]	45.72 [1.800]
19	399801319	980919-1	97.3 [3.83]	91.44 [3.600]	45.72 [1.800]
20	399801320	980920-1	102.4 [4.03]	96.52 [3.800]	50.80 [2.000]
21	399801321	980921-1	107.4 [4.23]	101.60 [4.000]	50.80 [2.000]
22	399801322	980922-1	112.5 [4.43]	106.68 [4.200]	55.88 [2.200]
23	399801323	980923-1	117.6 [4.63]	111.76 [4.400]	55.88 [2.200]
24	399801324	980924-1	122.7 [4.83]	116.84 [4.600]	60.96 [2.400]



7 CIRCUIT SHOWN
SCALE 2:1



- NOTES:
1. MATERIAL: SEE TABLE
 2. FINISHES: SEE TABLE
 3. ELECTRICAL SPECIFICATIONS
VOLTAGE RATING: 300V AC/DC
CURRENT RATING: 10 AMPS
 4. WIRE RANGE: 4.0-0.25mm² (12-24 AWG)
 5. RECOMMENDED SCREW TORQUE: 0.56 Nm [5 IN-LB]
 6. MATES WITH: 3998004XX HEADER ASSEMBLY
 7. ASSEMBLY IS TO BE RoHS COMPLIANT
 8. UL FILE: E48521
 9. DIMS. SHOWN ARE FOR REFERENCE ONLY

TOLERANCES			
MM	TOL	INCH	TOL
0-6	±0.25	0-.24	±.010
>6-30	±0.40	.24-1.18	±.016
>30-120	±0.50	1.18-4.76	±.020
>120	±0.80	>4.76	±.031

THIS DRAWING CONTAINS INFORMATION THAT IS PROPRIETARY TO MOLEX ELECTRONIC TECHNOLOGIES, LLC AND SHOULD NOT BE USED WITHOUT WRITTEN PERMISSION

SYMBOLS	DIMENSION UNITS	SCALE	CURRENT REV / DESC: ADDED NEW PN'S
▽ = 0	MM [INCH]	3:1	
▽ = 0	GENERAL TOLERANCES (UNLESS SPECIFIED)		
▽ = 0		MM	INCH
▽ = 0	4 PLACES	± ---	± ---
▽ = 0	3 PLACES	± ---	± SEE CHART
▽ = 0	2 PLACES	± SEE CHART	± SEE CHART
▽ = 0	1 PLACE	± SEE CHART	± ---
▽ = 0	0 PLACES	± ---	± ---
■ = 0	ANGULAR TOL ± 2°		
▽ = 0	DRAFT WHERE APPLICABLE MUST REMAIN WITHIN DIMENSIONS		
THIRD ANGLE PROJECTION		DRAWING	SERIES
		C-SIZE	39980
EC NO: 611677		DRWN: ABENJAMINLW	2018/04/27
CHK'D: MBRZOWSKI		2019/02/07	
APPR: JFMURPHY		2019/02/20	
INITIAL REVISION:			
DRWN: RSTONE		2013/07/16	
APPR: JFMURPHY		2014/02/13	
DOCUMENT NUMBER	DOC TYPE	DOC PART	REVISION
SD-39980-009	PSD	001	B2
MATERIAL NUMBER	CUSTOMER	SHEET NUMBER	
SEE TABLE	SCHNEIDER	1 OF 1	

5	XX	SCREW, M3X0.5 CHS, SLOTTED	STEEL	ZN, CLEAR CHROMATE
4	XX	CAGE, RISING(*)	BRASS	NICKEL PLATED
3	XX	TERMINAL PLUG	PHOS. BRONZE	HOT TIN DIP
2	1	COVER, 5.08mm PLUG, SINGLE ROW	NYLON 66, GLASS FILLED	BLACK
1	1	BODY, 5.08mm PLUG, SINGLE ROW	NYLON 66, GLASS FILLED	BLACK
ITEM	QTY.	DESCRIPTION	MATERIAL	FINISH