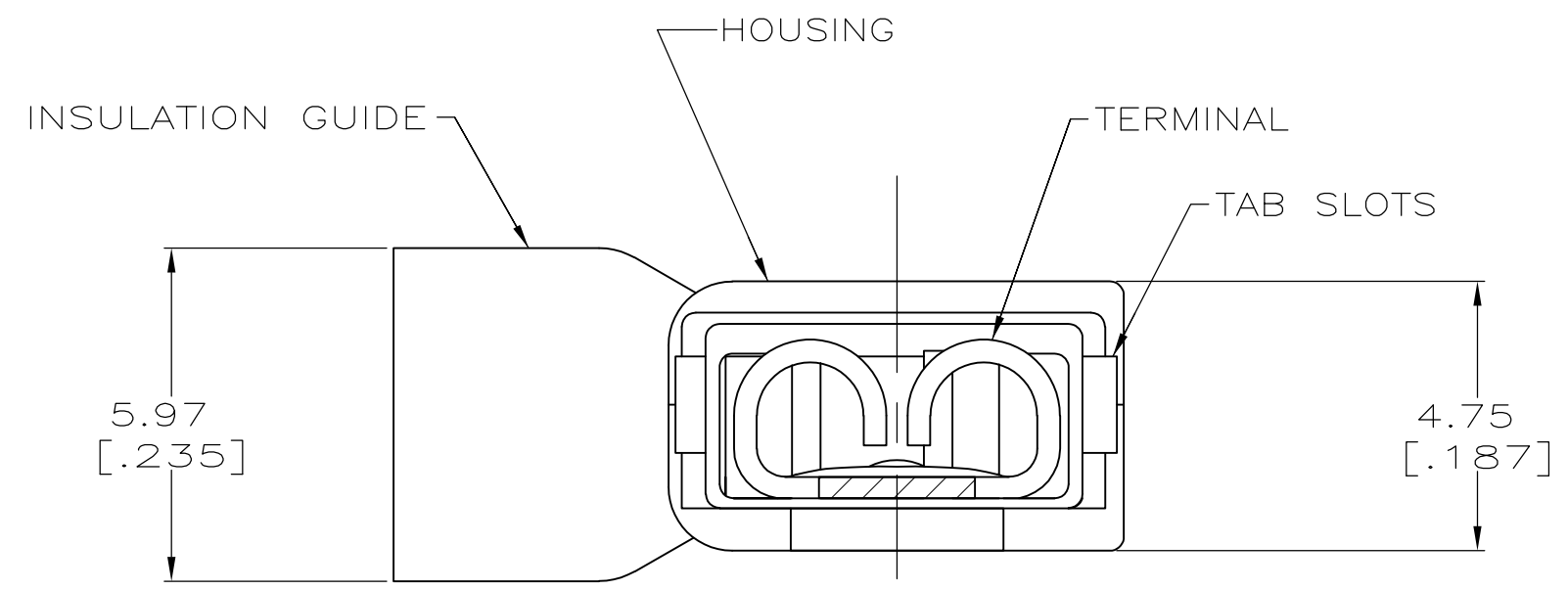
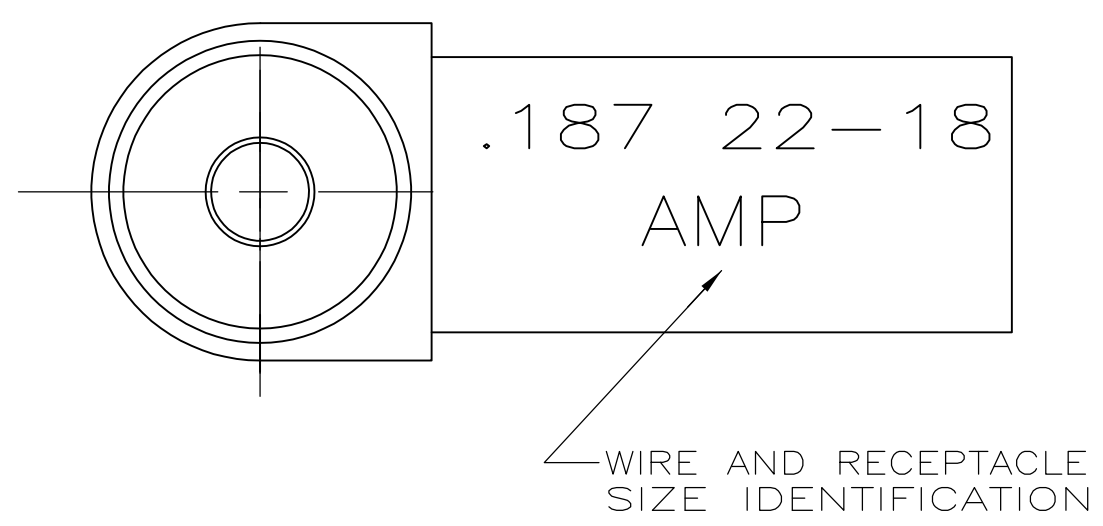
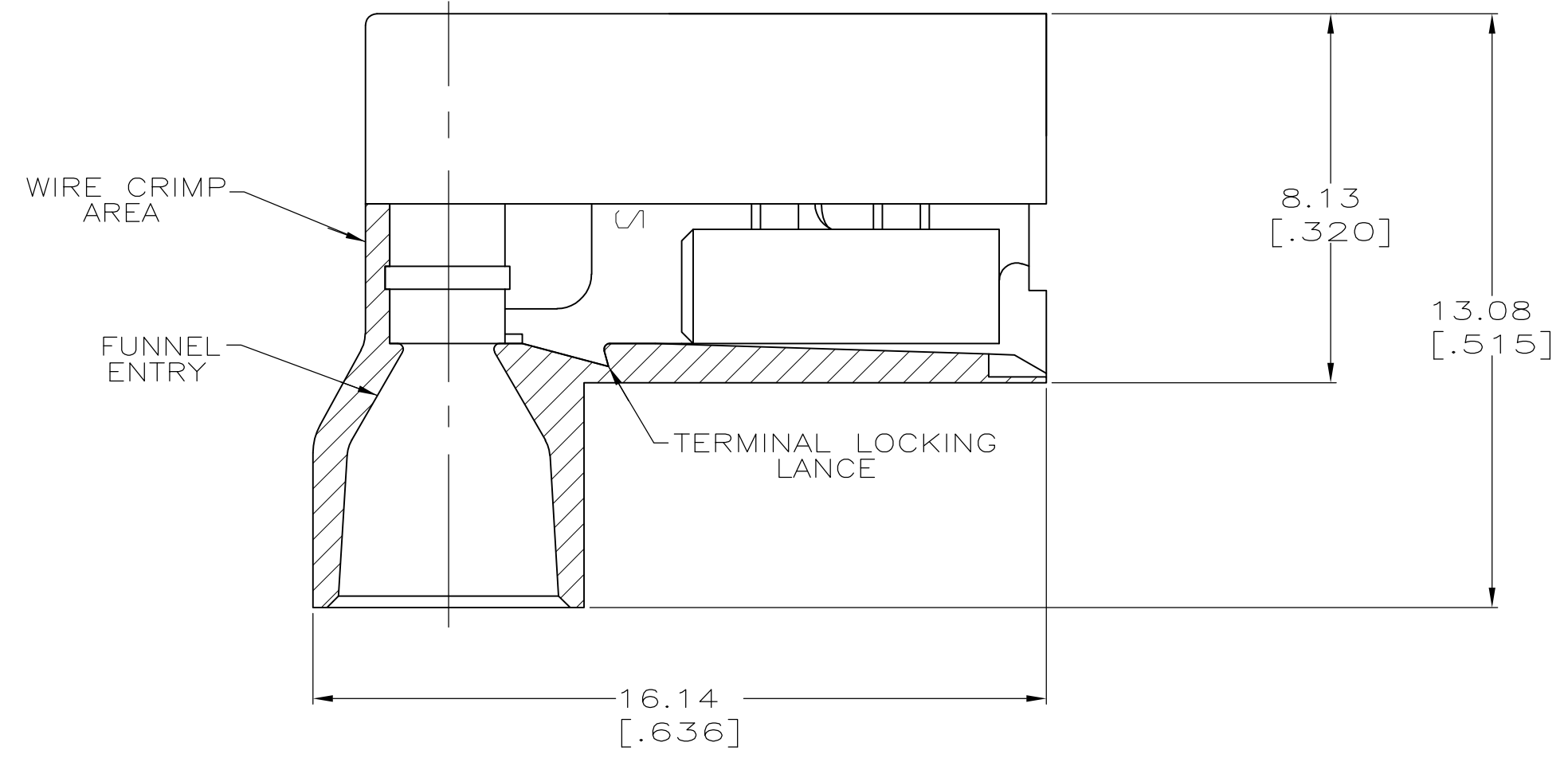


THIS DRAWING IS UNPUBLISHED. RELEASED FOR PUBLICATION
 © COPYRIGHT - By - ALL RIGHTS RESERVED.

LOC	DIST	REVISIONS			
P	LTR	DESCRIPTION	DATE	OWN	APVD
AF	50	J	REVISED PER ECR-13-004343	30JUL13	KH KR

- 1 FITS 0.81±0.025 X 4.75 [.032±.001 X .187] TAB
- 2 WIRE SIZE: 0.3-0.9mm² [22-18 AWG], STRANDED ONLY.
STRIP LENGTH 7.14 [.281]
- 3 INSULATION SIZE: 4.19 [.165] MAX DIA.
- 4 SUPPLIED AS LOOSE PIECE



OBSOLETE

TYPE 6/6 NYLON	RED TRANSLUCENT	0.41 [.016] #4H PH BRZ	TIN	2-520337-4
TYPE 6/6 NYLON	RED TRANSLUCENT	BRASS	TIN	2-520337-2
MATERIAL	COLOR	MATERIAL	FINISH	PART NO
HOUSING		TERMINAL		

THIS DRAWING IS A CONTROLLED DOCUMENT.		DWN P FORTNEY 8/10/90	STE TE Connectivity	
DIMENSIONS: mm[INCHES]		CHK MS FEHER 8/23/90		
TOLERANCES UNLESS OTHERWISE SPECIFIED:		APVD D BRATINA 8/24/90	NAME	
0 PLC ± -		PRODUCT SPEC	RECEPTACLE ASSEMBLY, ULTRA-FAST FLAG, 4.75 [.187] SERIES, LOOSE PIECE	
1 PLC ± -		108-2043	SIZE CAGE CODE DRAWING NO	
2 PLC ± 0.38 [.015]		APPLICATION SPEC	RESTRICTED TO	
3 PLC ± -		114-2123	A2 00779 C-520337	
4 PLC ± -		WEIGHT -	SCALE 8:1 SHEET 1 OF 1 REV J	
ANGLES ± -		CUSTOMER DRAWING		
FINISH				
SEE TABLE				