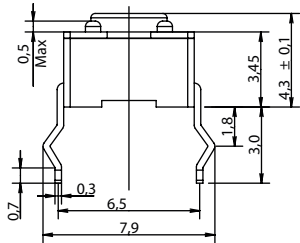
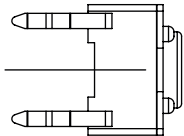
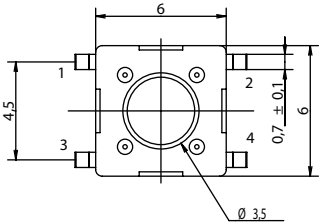
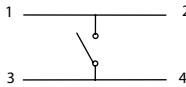


TERMINATION

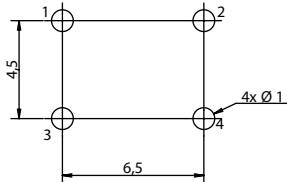
S STRAIGHT



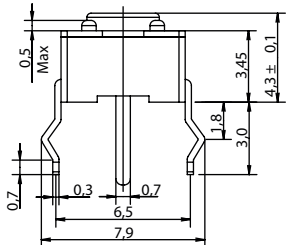
SCHEMATIC



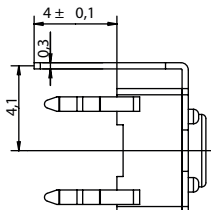
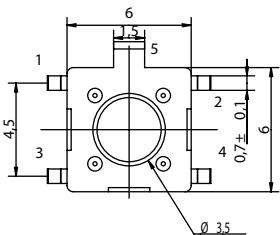
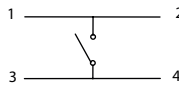
PCB LAYOUT



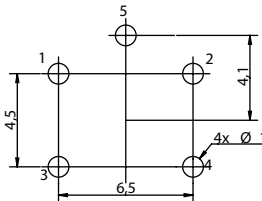
T STRAIGHT WITH ESD PIN



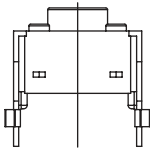
SCHEMATIC



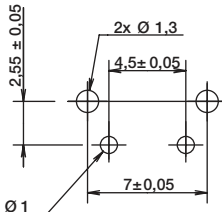
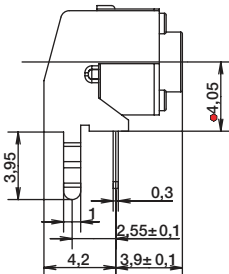
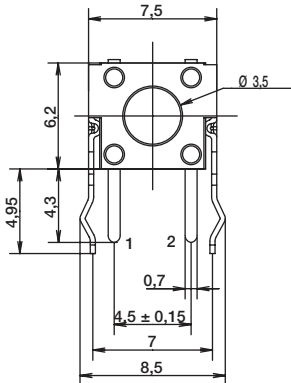
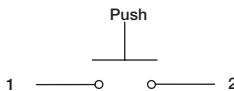
PCB LAYOUT



V VERTICAL THT



SCHEMATIC



PCB LAYOUT



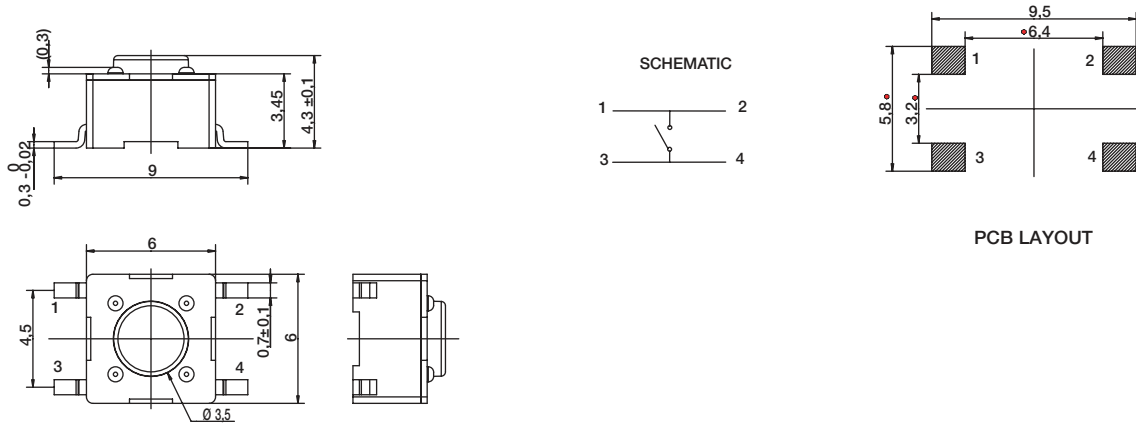
Dimensions are shown: mm
Specifications and dimensions subject to change



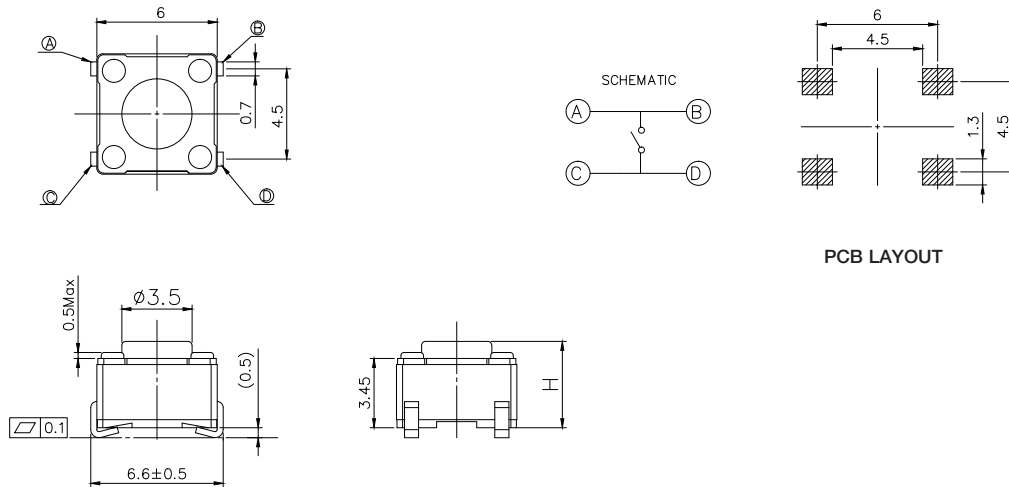
PTS645 Series 6 mm Tact Switches

TERMINATION

SMT G Type



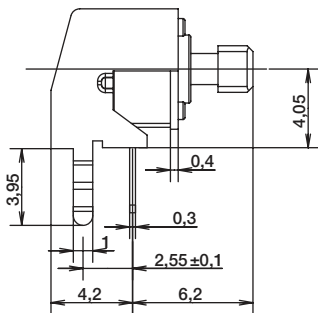
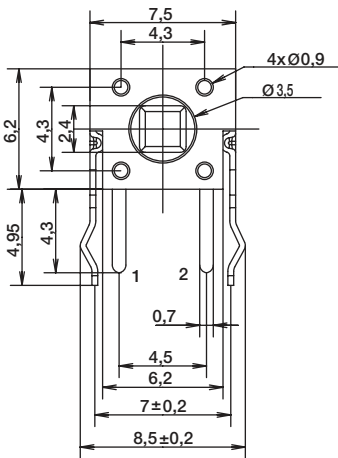
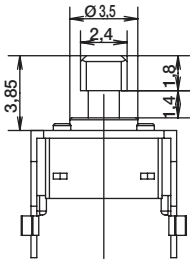
SMT J Type



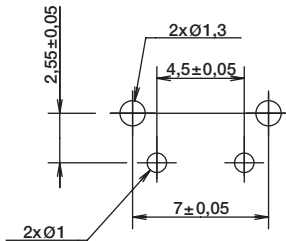
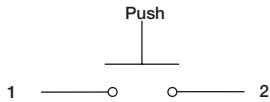
ACTUATOR SHAPE

J SQUARE ACTUATOR

VERTICAL THT - FOR 6.15MM LENGTH ONLY

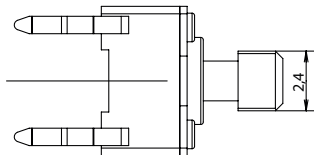
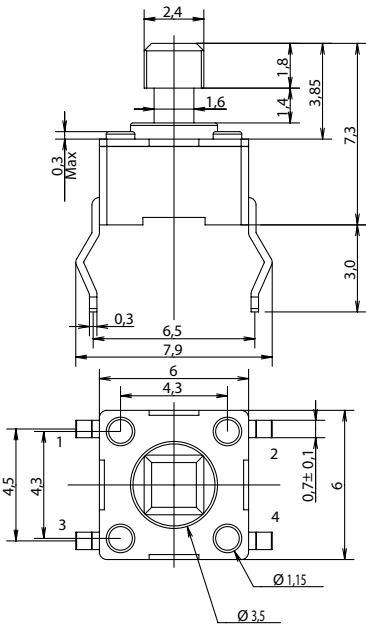


SCHEMATIC

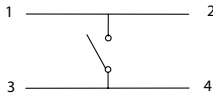


RECOMMENDED PCB LAYOUT

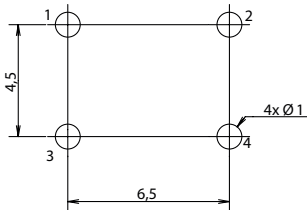
STRAIGHT THT - FOR 7.3MM HEIGHT ONLY



SCHEMATIC



RECOMMENDED PCB LAYOUT

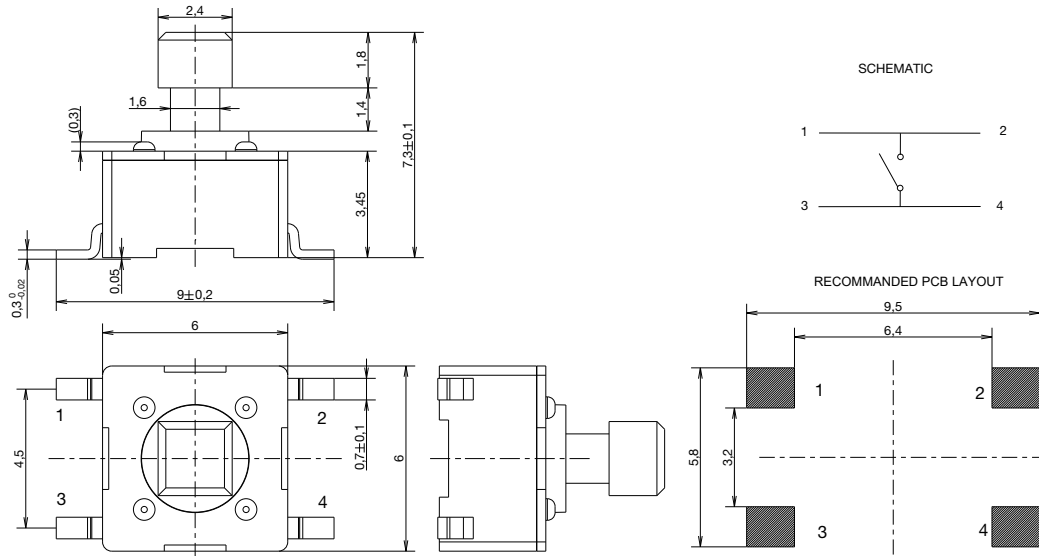


First Angle
Projection

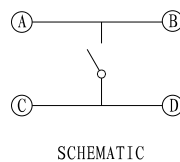
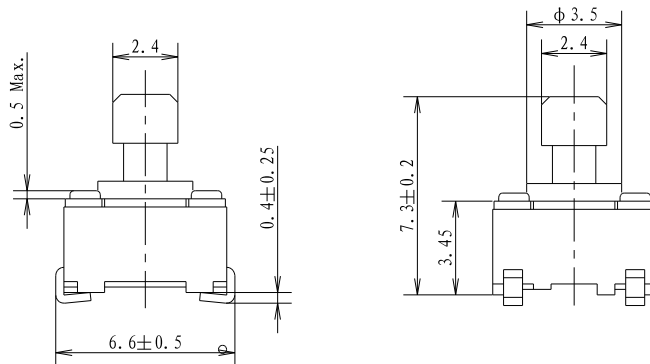
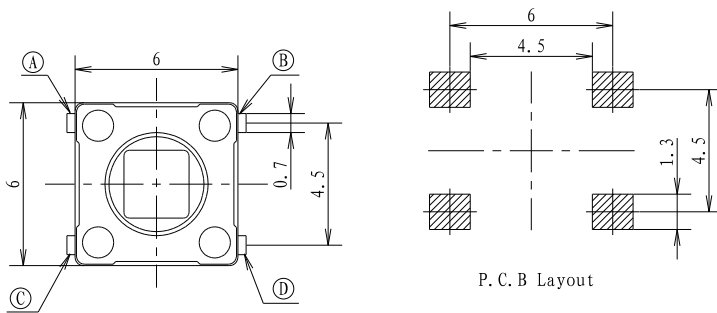
PTS645 Series 6 mm Tact Switches

ACTUATOR SHAPE

STRAIGHT SMT G TYPE - FOR 7.3MM HEIGHT ONLY



STRAIGHT SMT J TYPE - FOR 7.3MM HEIGHT ONLY

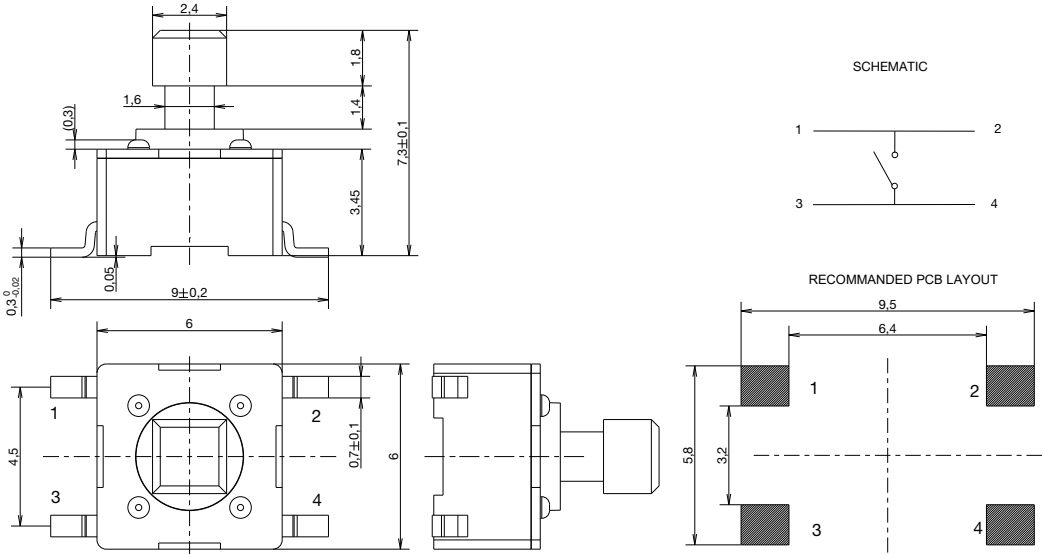


Dimensions are shown: mm
 Specifications and dimensions subject to change

PTS645 Series 6 mm Tact Switches

ACTUATOR SHAPE

STRAIGHT SMT - FOR 7.3MM HEIGHT ONLY



Tactile Switches

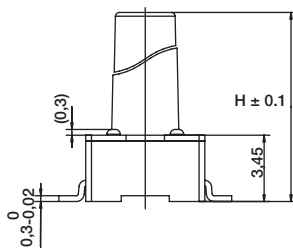
B

PTS645 Series 6 mm Tact Switches

ACTUATION FORCE

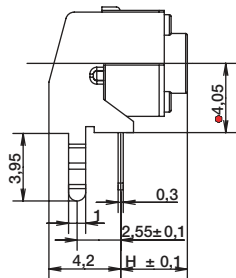
OPTION CODE	FORCE
L	130 grams Black
M	160 grams Blue
H	200 grams Gray
K	260 grams Red

ACTUATOR HEIGHT



Switch height from PCB for S and T only

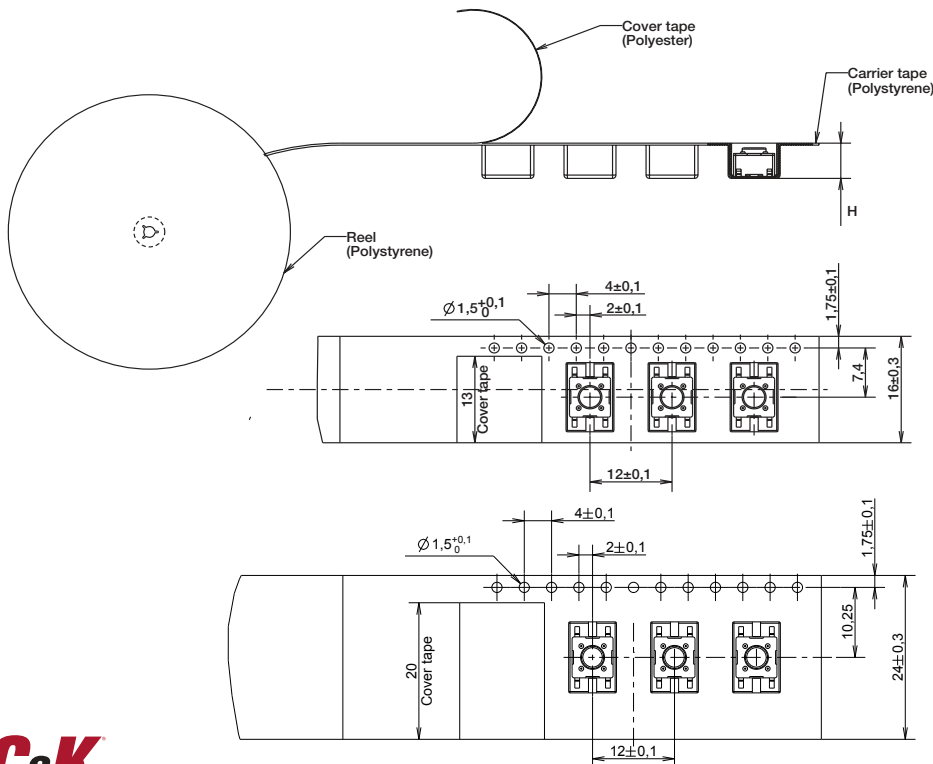
OPTION CODE	DIMENSION H	TERMINATION	SCHEMATIC	
			Without EMC pin	With EMC pin
43	4,3 (.169)	Thru-hole and SMT		
50	5,0 (.197)	Thru-hole and SMT		
70	7,0 (.275)	Thru-hole and SMT		
95	9,5 (.374)	Thru-hole and SMT		
13	13,0 (.512)	SMT		



Switch length from front leads for V only

OPTION CODE	DIMENSION H	TERMINATION	SCHEMATIC	
			Without EMC pin	With EMC pin
31	3,15 (.124)	Vertical		
39	3,85 (.151)	Vertical		
58	5,85 (.230)	Vertical		
83	8,35 (.329)	Vertical		

TAPE & REEL FOR SMT G TYPE VERSIONS



OPTION CODE	WIDTH TAPE	POCKET HEIGHT
43	16 ± 0.3	5.3
50	16 ± 0.3	5.3
70	16 ± 0.3	7.3
73	16 ± 0.3	7.6
95	24 ± 0.3	10.3
13	24 ± 0.3	13.3

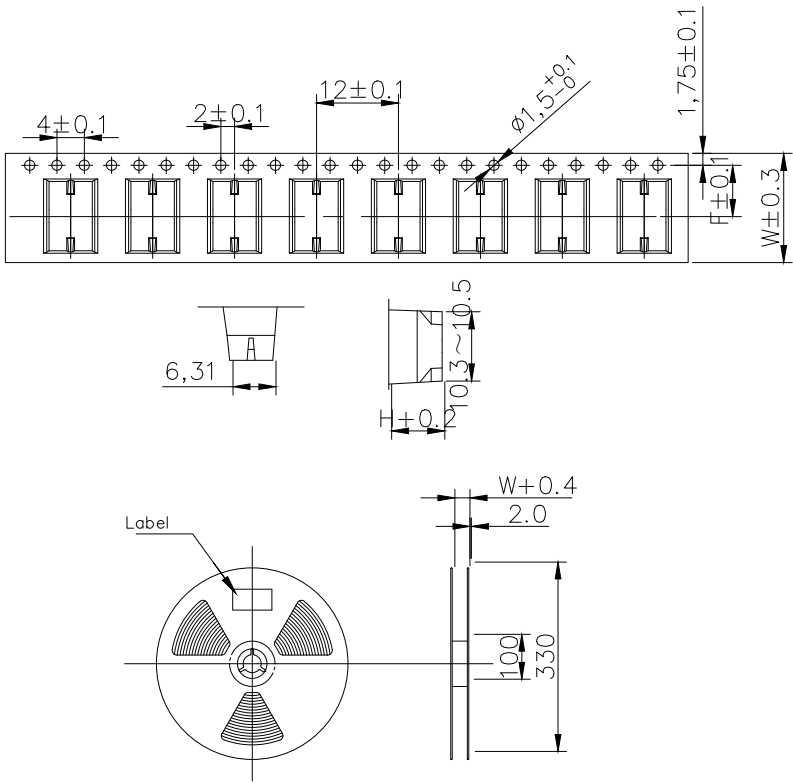


Dimensions are shown: mm
Specifications and dimensions subject to change

PTS645 Series 6 mm Tact Switches

TAPE & REEL FOR SMT J TYPE VERSIONS

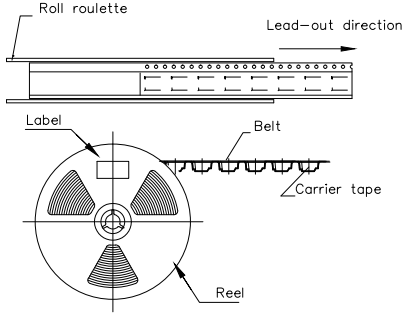
Tactile Switches B



Tape specifications

Product height (h)mm	Carrier tape width (W)mm	Center distance of carrier tape (F)mm	pcs/reel
4.3	16	7.5	1000
5.0	16	7.5	1000
7.0	16	7.5	700
7.3	16	7.5	700
9.5	24	11.5	500
11	24	11.5	500
13	24	11.5	500

Note: The disc rotates counterclockwise. According to the packing shown in the figure, the braid must not be twisted to prevent product deformation;



14 Nov 22



Dimensions are shown: mm
Specifications and dimensions subject to change