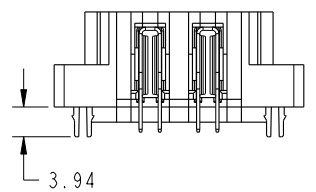
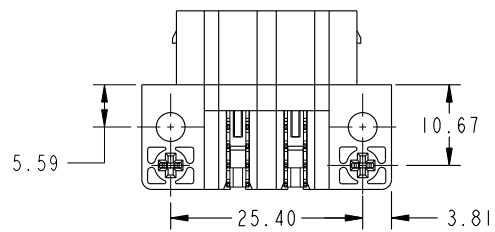
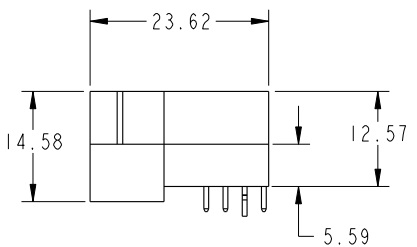
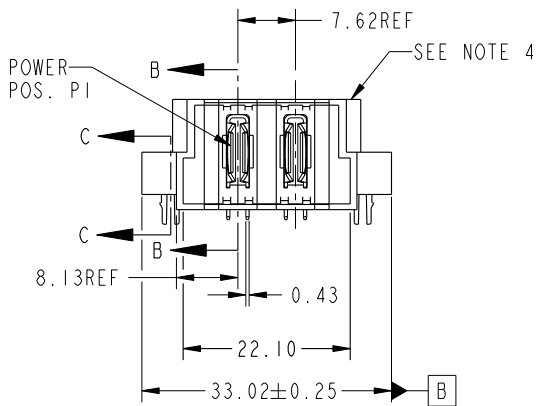
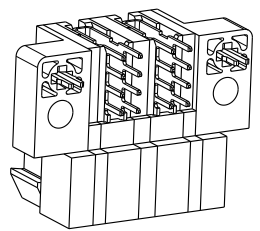
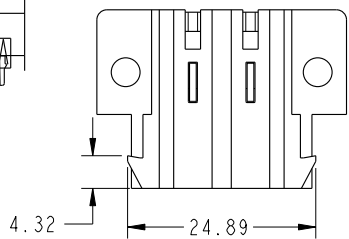
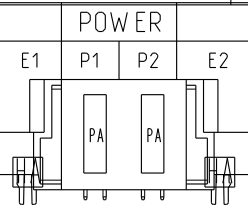


PRODUCT NO.
51939-198--
NOTE ③



CODE	DIM "M" MATING LENGTH	CONTACT TYPE
HA	[N/A]	HOLD-DOWN
PA	[N/A]	POWER

spec ref	*	dr	MT Ruan	2008/07/26	projection	mm	size	A4	scale	1:1	
tolerance std	TOLERANCES UNLESS OTHERWISE SPECIFIED	eng	X Q Wang	2013/02/21			ecn no ELX-DG-14077-1				
-		chr	-	-			rel level Released				
surface	linear	appr	Pei-Ming Zheng	2013/02/22	product family	PwrBlade	dwg no		51939-198	rev	J
-	angular	www.fci.com		cat. no.	51939-198	Product - Customer Drw			sheet 1 of 3		
	0.X ±0.5										
	0.XX ±0.25										
	0.XXX ±0.1										
	0° ±2°										

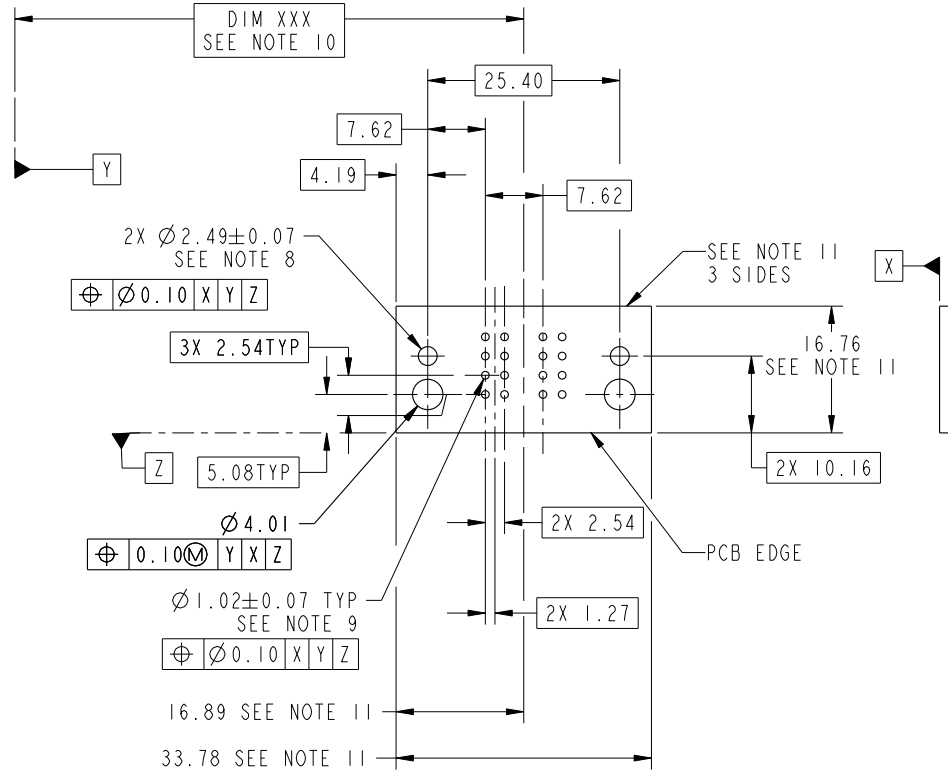


Copyright FCI.

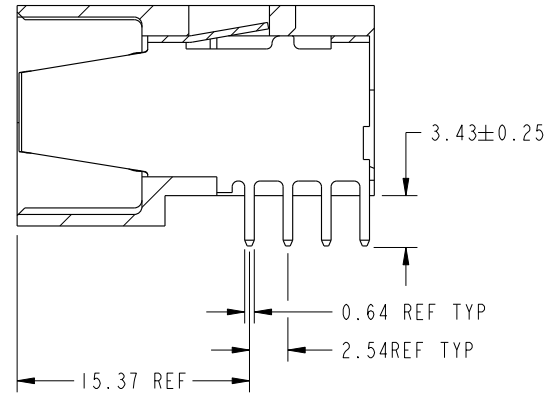
ProjE File - REV C - 2009-06-09

PRODUCT NUMBER

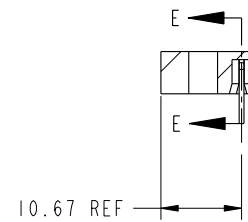
51939-198__
NOTE ③



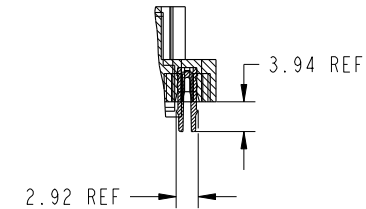
RECOMMENDED PCB LAYOUT



SECTION B-B
SCALE 2:1



SECTION C-C



SECTION E-E

dr	MT Ruan	2008/07/26	projection 	mm 	size	A4	scale	1:1	
eng	X Q Wang	2013/02/21			ecn no	ELX-DG-14077-1			
chr	-	-			rel level	Released			
appr	Pei-Ming Zheng	2013/02/22	product family	PwrBlade					
		title	2ACP RIGHT ANGLE STB HEADER		dwg no	51939-198		rev	J
www.fci.com		cat. no.	51939-198	Product - Customer Drw		sheet 2 of 3			



PRODUCT NUMBER

51939-198__
NOTE ③

NOTES:

1. DIMENSIONS AND TOLERANCES ARE IN ACCORDANCE WITH ASME Y14.5M, 1994 UNLESS OTHERWISE SPECIFIED.

CONNECTOR NOTES:

2. HOUSING MATERIAL: UL 94 V-0 GLASS FILLED HIGH-TEMP THERMOPLASTIC
POWER CONTACT MATERIAL: COPPER ALLOY
SIGNAL PIN MATERIAL: COPPER ALLOY



3. SEE ITEM 1 & 2 IN PRINT 10092675 FOR PLATING SPEC OF 51939-198;51939-198LF;51939-198T;51939-198TLF RESPECTIVELY.

4. NO ANY MARK ON THIS SURFACE.

5. PRODUCT SPECIFICATION GS-12-149.
APPLICATION SPECIFICATION BUS-20-067.

6. PACKAGED:

51939-198 AND 51939-198LF WILL BE PACKAGED BY TRAY.

51939-198T AND 51939-198TLF WILL BE PACKAGED BY TAPE-ON REEL.

PCB NOTES:

7. ALL HOLE DIAMETERS ARE FINISHED HOLE SIZE.

8. MOUNTING HOLES, WHERE APPLICABLE, ARE UNPLATED.

9. $\varnothing 1.151 \pm 0.025$ DRILLED HOLES PLATED WITH
0.08 MIN SnPb OVER 0.03 TO 0.08 Cu PLATING
TO ACHIEVE $\varnothing 1.02 \pm 0.07$ HOLE.

10. "DIM XXX" TO BE DETERMINED BY THE CUSTOMER.

11. CONNECTOR KEEP-OUT ZONE.

12. A SYMBOL WILL BE NEXT TO ANY DIMENSION, VIEW, OR NOTE WHICH HAS BEEN MODIFIED WITH THE CURRENT DRAWING REVISION.

dr	MT Ruan	2008/07/26	projection 	mm 	size	A4	scale	1:1	
eng	X Q Wang	2013/02/21			ecn no	ELX-DG-14077-1			
chr	-	-			product family	PwrBlade	rel level	Released	
appr	Pei-Ming Zheng	2013/02/22			title	2ACP		rev	J
www.fci.com		cat. no.	51939-198	Product - Customer Drw		dwg no	51939-198	sheet 3 of 3	