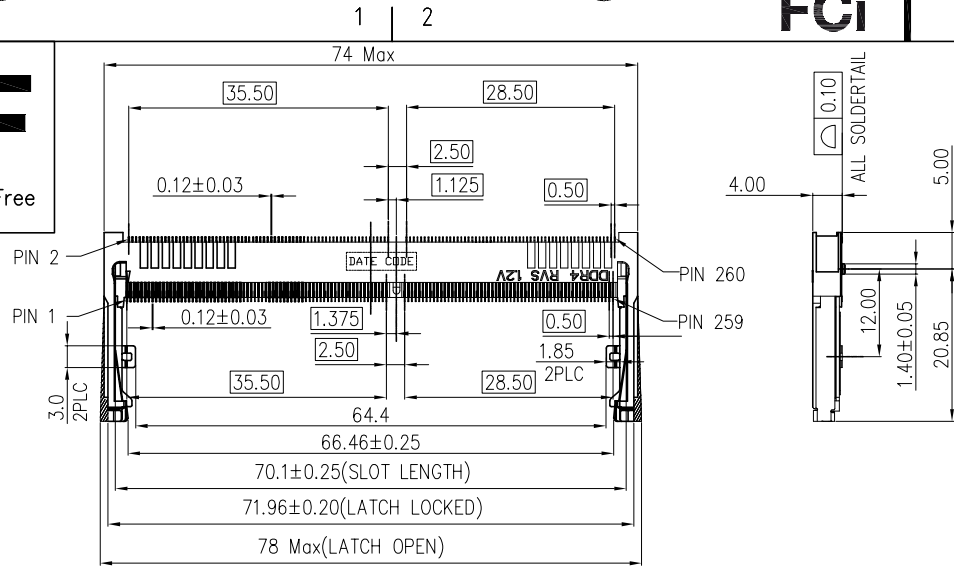


**HF**

Halogen Free



NOTES:

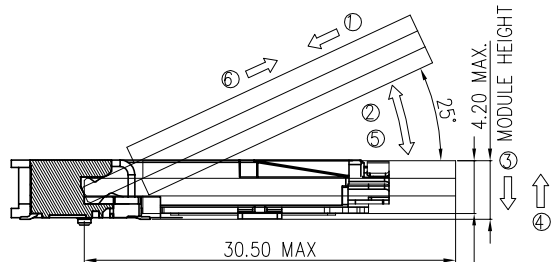
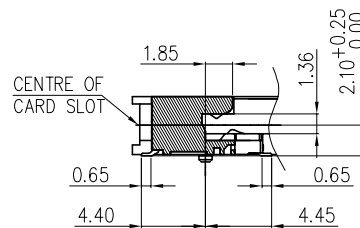
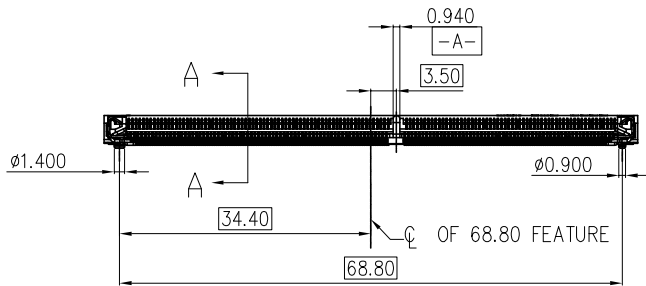
1. MATERIAL:
  - 1.1 HOUSING: LCP, UL94V-0, COLOR: BLACK.
  - 1.2 CONTACT: PHOSPHOR BRONZE.
  - 1.3 SOLDER PEG AND LATCH: STAINLESS STEEL.
2. FINISH:
  - 2.1 CONTACT: 50u" MIN NICKEL UNDERPLATED ALL OVER. GOLD FLASH PLATING ON SOLDER TAIL. GOLD PLATING (THICKNESS SEE TABLE) ON CONTACT AREA.
  - 2.2 SOLDER PEG: 50u" MIN NICKEL UNDERPLATED ALL OVER. AU 2u" MAX ON SOLDER TAIL.
3. DATE CODE : FYYWDLX
  - YY: YEAR (09: 2009)
  - WW: WEEK (25: THE 25TH WEEK)
  - D: DAY (1~7: SUNDAY~SATURDAY)
  - L: LINE NUMBER OF ASSEMBLY (A: LINE A)
  - X: D OR N (D: DAY; N: NIGHT)
4. PART NUMBER DESCRIPTION:

10141998-00X R LF

- LF: LEAD FREE
- R: TAPE & REEL PACKING

PLATING CODE:

- 1: GF
- 4: Au15u"
- 5: Au30u"

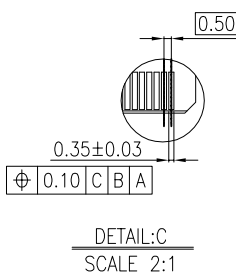
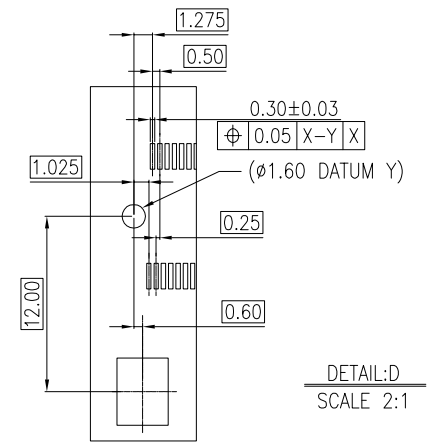
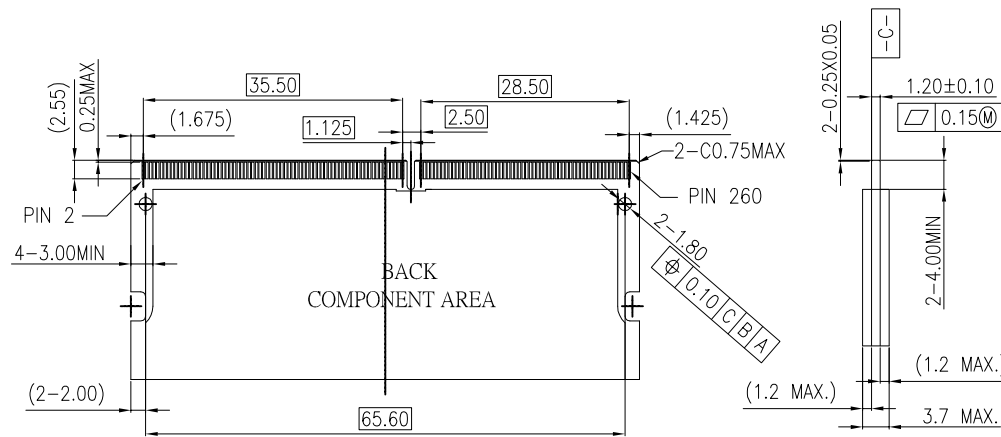
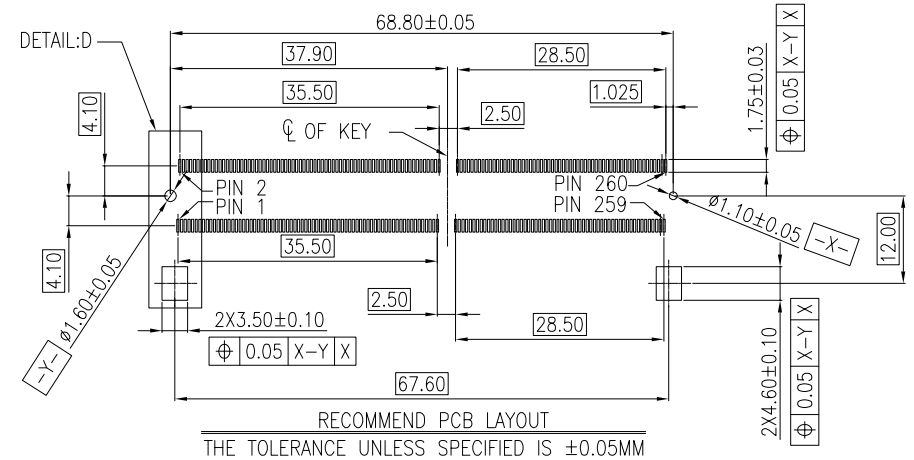
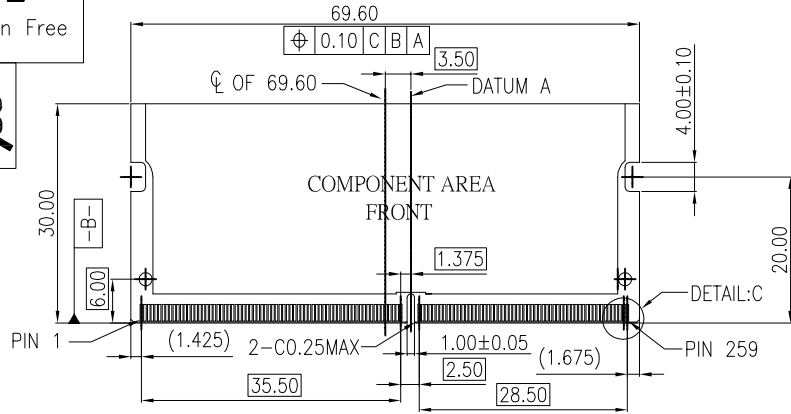


MATING: ① INSERTING (25°) → ② ROTATING → ③ FIXED  
 UNMATING: ④ UNFIXED → ⑤ ROTATING → ⑥ WITHDRAWING

mat'l. code		surface		tolerance		projection		product family	
-		-		ASME_Y14.5				DDR	
ltr		ecn no		dr		date		title	
								DDR4_SODIMM_260P	
								4.0H_RVS_ASSEMBLY	
								dwg no	
								sheet 1 of 3	
								size	
								A4	
								type	
								CUSTOMER Drawing	
sheet index		revision		A					

**HF**

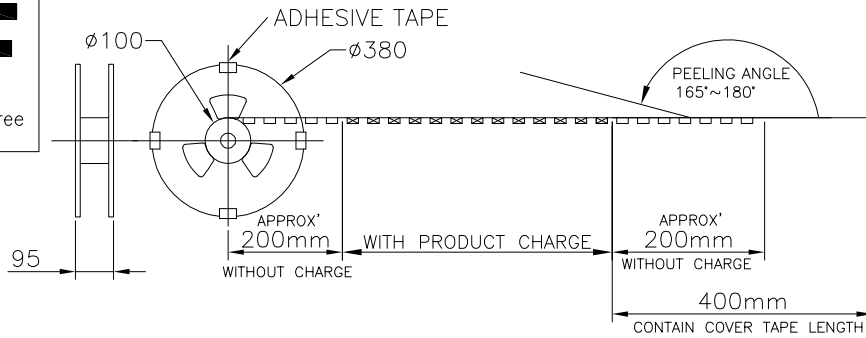
Halogen Free



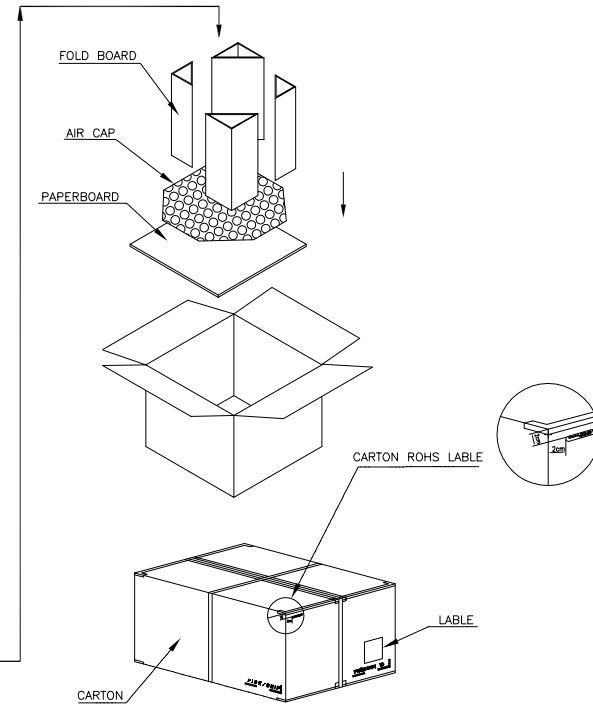
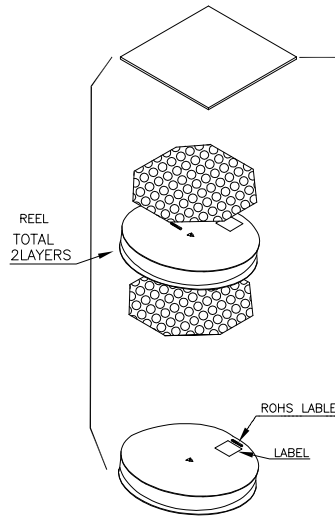
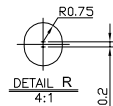
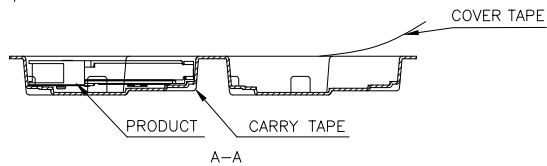
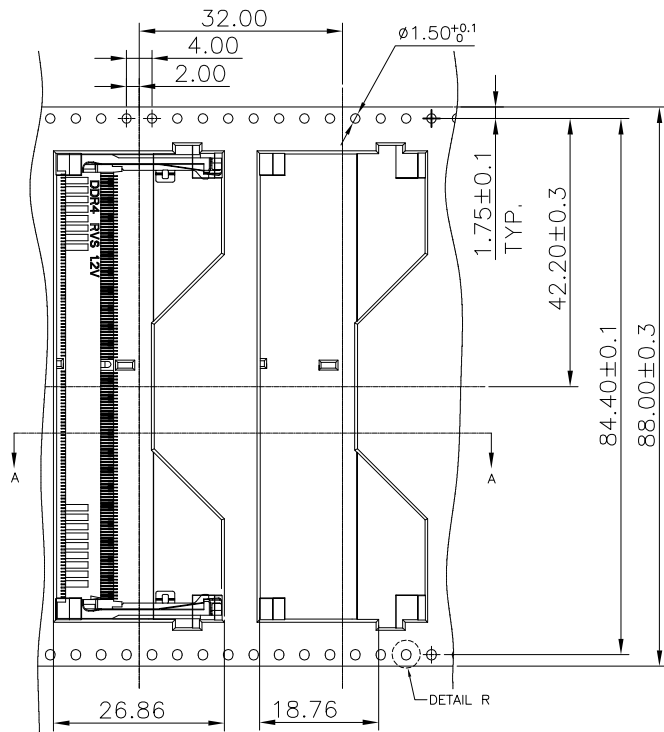
mat'l. code	surface	tolerance	projection	product family		
-	-	ASME_Y14.5		DDR		
ltr	ecn no	dr	date	title		
				DDR4_SODIMM_260P 4.0H_RVS_ASSEMBLY		
				angles		
				.0±.30		
				.00±.020		
				±2°		
				.000±.0.10		
	dr	ZHENHUA_LIU	2016-12-02	scale N/A		
	engr	ZHENHUA_LIU	2016-12-02			
	chr	STONE_LI	2016-12-02			
	appd	PM_ZHENG	2016-12-02			
sheet index	revision	A		dwg no	sheet 2 of 3	size
	sheet			10141998		A4
				type	CUSTOMER Drawing	

**HF**

Halogen Free



PULL OUT DIRECTION →



450	2	900
PCS/ REEL	REEL/ CARTON	PCS/ CARTON

mat'l. code	surface	tolerance	projection	product family
-	-	ASME_Y14.5		DDR
ltr	ecn no	dr	date	title
				DDR4_SODIMM_260P 4.0H_RVS_ASSEMBLY
				dwg no
				10141998
				type
				CUSTOMER Drawing

angles	tolerance	projection	product family
±2°	ASME_Y14.5		DDR
Line of		MM	
		scale N/A	
dr	ZHENHUA_LIU	2016-12-02	
enr	ZHENHUA_LIU	2016-12-02	
chr	STONE_LI	2016-12-02	
app	PM_ZHENG	2016-12-02	
sheet index	revision	A	
	sheet		

