

THIS DRAWING IS UNPUBLISHED.

RELEASED FOR PUBLICATION

ALL RIGHTS RESERVED.

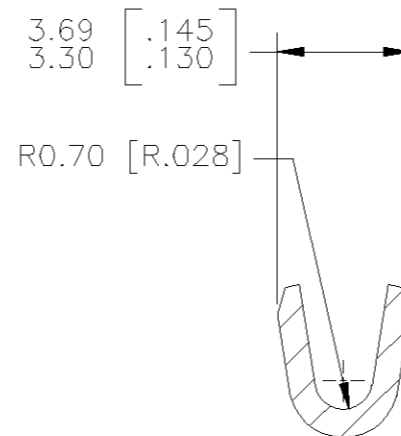
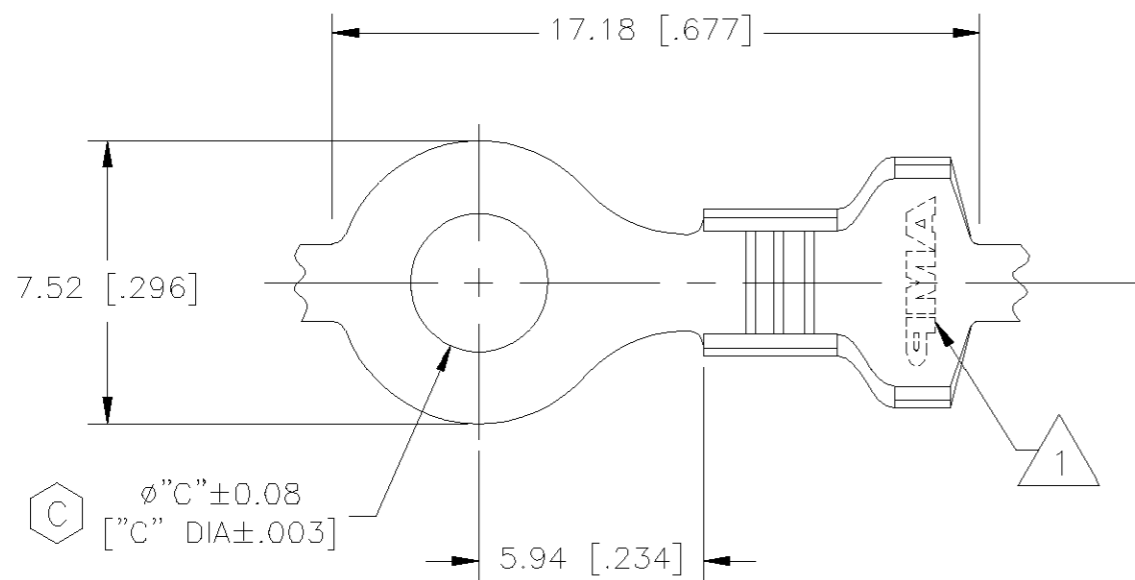
© COPYRIGHT

LOC
BG

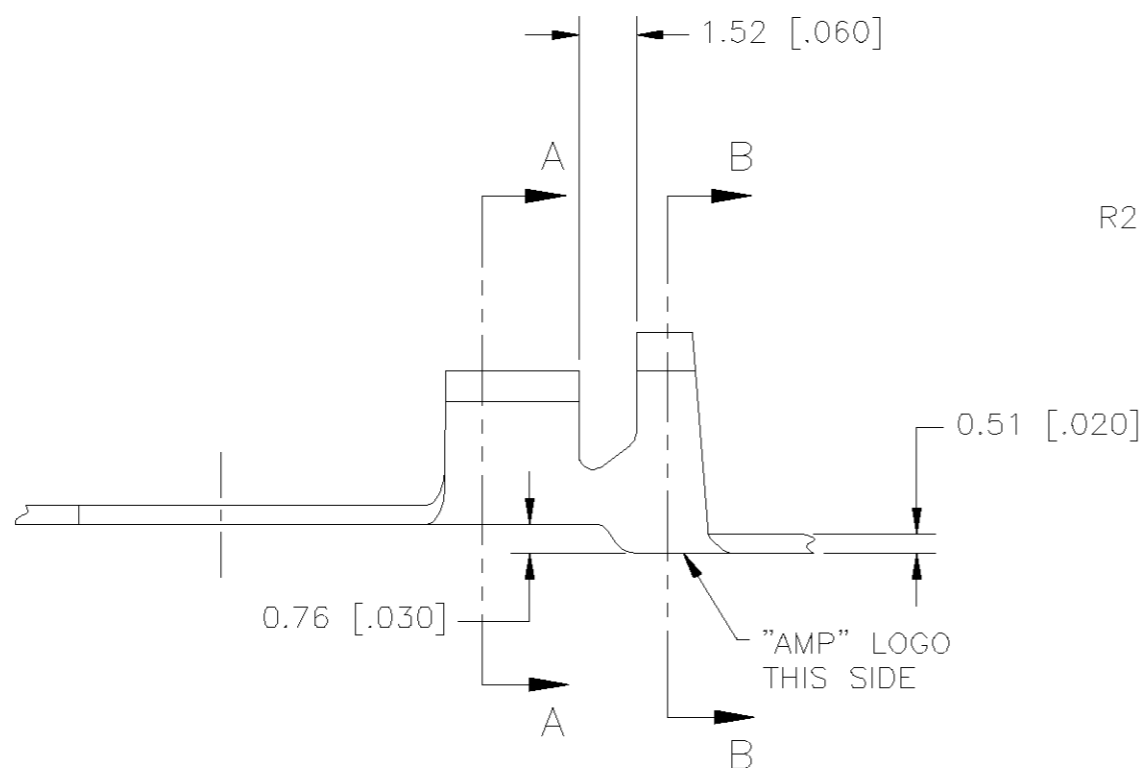
DIST
1

REVISIONS

P	LTR	DESCRIPTION	DATE	DWN	APVD
C1		REVISED PER ECO-11-005294	05APR11	RK	HMR



SECTION A-A



SECTION B-B

- 1 STAMPING: AMP.
- 2. WIRE INSULATION RANGE: 2.67 mm [.105 IN.] TO 4.32 mm [.170 IN.].
- 3. APPLICABLE WIRE GAGE RANGE: 18-14 AWG.
- 4. APPLICABLE STUD SIZES: #6, #8 & #10 STUDS.

5.36 [.211]	PRE-TINNED	#10	109452-6
5.36 [.211]	NONE	#10	109452-5
4.34 [.171]	PRE-TINNED	#8	109452-4
4.34 [.171]	NONE	#8	109452-3
3.71 [.146]	PRE-TINNED	#6	109452-2
3.71 [.146]	NONE	#6	109452-1
$\phi 'C'$	FINISH	STUD SIZE	PART NO.

THIS DRAWING IS A CONTROLLED DOCUMENT.

DWN D.RENNOX 29APR98

CHK D.ALLEN 15JUN98

APVD R.PANIZZA 16JUN98

PRODUCT SPEC

APPLICATION SPEC

WEIGHT -

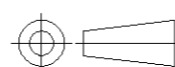
CUSTOMER DRAWING



NAME
TERMINAL, RING TONGUE, OPEN BARREL,
18-14 AWG, .020 IN. THK.,
#6, #8, #10 STUDS

SIZE	CAGE CODE	DRAWING NO	RESTRICTED TO
A3	00779	C=109452	-

DIMENSIONS:
MM [INCHES]



TOLERANCES UNLESS OTHERWISE SPECIFIED:	
0 PLC	$\pm -$
1 PLC	$\pm -$
2 PLC	± 0.13 [.005]
3 PLC	$\pm -$
4 PLC	$\pm -$
ANGLES	$\pm -$
FINISH	-

MATERIAL -