

MATERIAL NO.	ENGINEERING NO.	FINISHED LENGTH
1300101414	116030A01F030	3FT (0.9M)
1300101871	116030A01M030	9FT 10IN (3M)
1300101875	116030A01M060	19 FT 8.2 IN (6M)
1300102241	116030A01M092	30 FT 2.2 IN (9.2M)

**PART NO. MATRIX**  
116030A01M005

FINISHED LENGTH  
F020=2 FEET  
F200=20 FEET  
M005= 0.5 METER  
M010= 1 METER  
M100= 10 METER

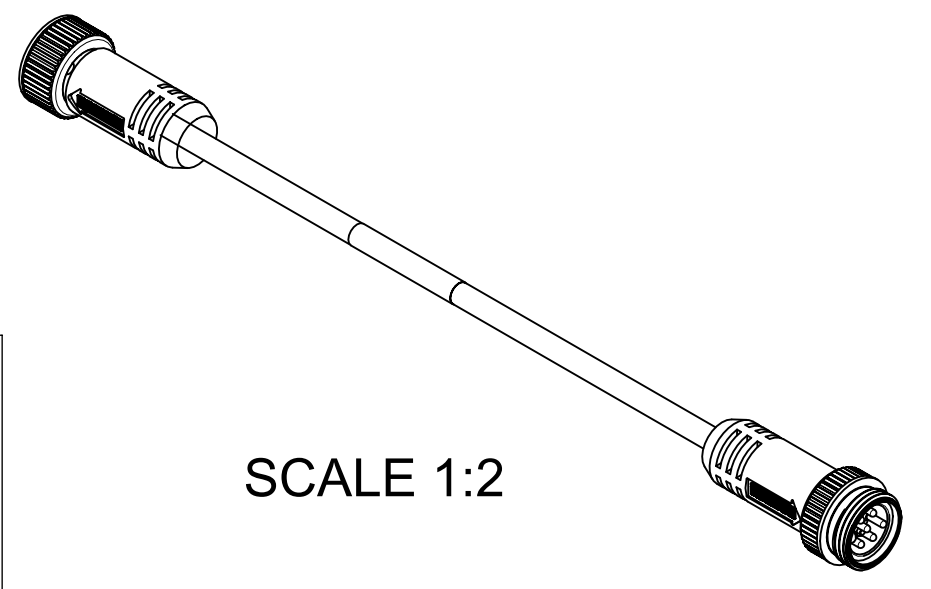
- NOTES:**
- MATERIAL: AS NOTED
  - FINISH: AS NOTED
  - ELECTRICAL SPECIFICATIONS  
VOLTAGE RATING: 400V PER IEC60664  
600V PER UL2238  
CURRENT RATING: 8A
  - TEMP RANGE: -20°C TO +105°C
  - PROTECTION: IP67 (WHEN MATED)
  - UL RECOGNIZED FILE: E152210  
CSA CERTIFIED FILE: LR6837
  - ALL DIMS ARE FOR REFERENCE UNLESS TOLERANCED OR NOTED OTHERWISE

**WIRING DIAGRAM**

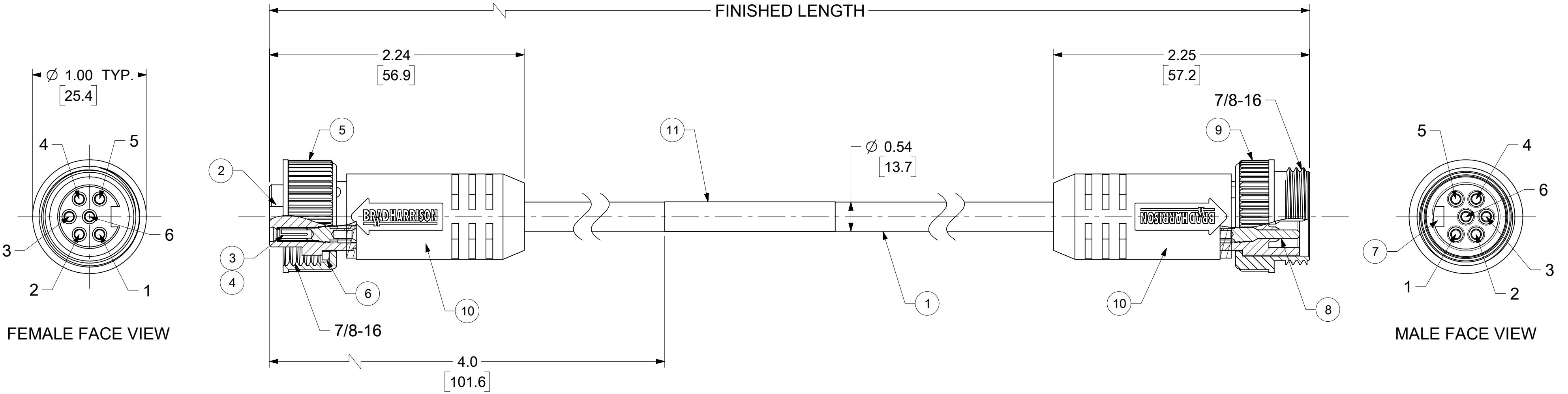
1	WHITE	1
2	RED	2
3	GREEN/YELLOW	3
4	ORANGE	4
5	BLACK	5
6	BLUE	6

**CABLE LENGTH TOLERANCES**

<.3M [1FT]:	+19mm-0 [+0.75in-0]
.3 - .9M [1 - 3FT]:	+44.5mm-0 [+1.75in-0]
.9 - 1.8M [3 - 6FT]:	+55.6mm-0 [+2.19in-0]
1.8 - 3.7M [6 - 12FT]:	+88.9mm-0 [+3.50in-0]
3.7 - 7.3M [12 - 24FT]:	+165.1mm-0 [+6.50in-0]
7.3-14.6M [24 - 48FT]:	+317.5mm-0 [+12.50in-0]
14.6 - 30.5M [48-100FT]:	+622.3mm-0 [+24.50in-0]
OVER 30M [100FT]:	+2% OF FINISHED LENGTH



SCALE 1:2



11	LABEL	VINYL	BLACK/YELLOW
10	OVERMOLD	TPE	YELLOW
9	COUPLING NUT, MALE	ZINC DIE-CAST	BLACK E-COAT
8	CONTACT PIN	COPPER ALLOY	SELECTIVE GOLD/NICKEL
7	MALE INSERT	TPE	YELLOW
6	FRICITION RING	NYLON	NATURAL
5	COUPLING NUT, FEMALE	ZINC DIE-CAST	BLACK E-COAT
4	SLEEVE	STAINLESS STEEL	-
3	CONTACT SOCKET	COPPER ALLOY	SELECTIVE GOLD/NICKEL
2	FEMALE INSERT	TPE	YELLOW
1	CABLE, 16/6 AWG	PVC JACKET	YELLOW
ITEM	DESCRIPTION	MATERIAL	FINISH

THIS DRAWING CONTAINS INFORMATION THAT IS PROPRIETARY TO MOLEX ELECTRONIC TECHNOLOGIES, LLC AND SHOULD NOT BE USED WITHOUT WRITTEN PERMISSION

DIMENSION UNITS	SCALE	CURRENT REV DESC: ADDED NEW PART NUMBER	
INCH/MM	1.5:1		
GENERAL TOLERANCES (UNLESS SPECIFIED)			
	MM	INCH	
4 PLACES	±	±	
3 PLACES	±	±	
2 PLACES	±	±	
1 PLACE	±	±	
0 PLACES	±	±	
ANGULAR TOL	± °		
DRAFT WHERE APPLICABLE MUST REMAIN WITHIN DIMENSIONS		THIRD ANGLE PROJECTION	DRAWING SERIES
			C-SIZE 130010

EC NO: 666758  
DRWN: ALEON01 2021/06/10  
CHK'D: MZIELINSKI 2021/06/10  
APPR: BWOODMAN 2021/06/10

INITIAL REVISION:  
DRWN: VBASUTHKARP 2020/10/14  
APPR: BWOODMAN 2020/11/18

DOCUMENT NUMBER	DOC TYPE	DOC PART	REVISION
1300101869	PSD	000	A1

PRODUCT CUSTOMER DRAWING

MATERIAL NUMBER	CUSTOMER	SHEET NUMBER
SEE TABLE	GENERAL MARKET	1 OF 1