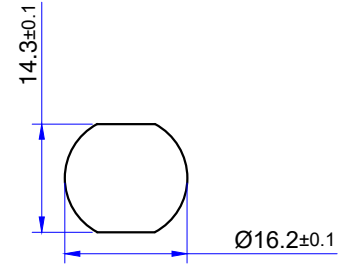
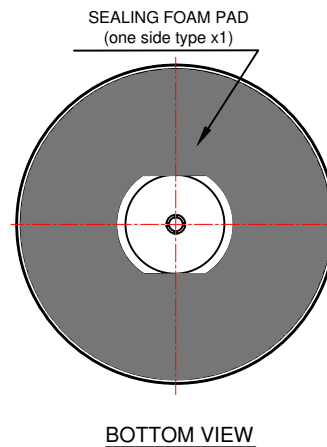
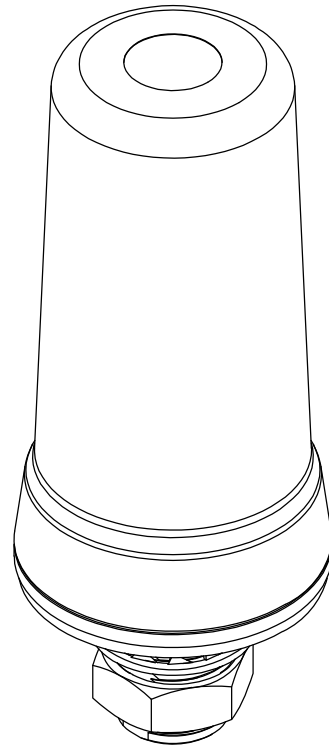
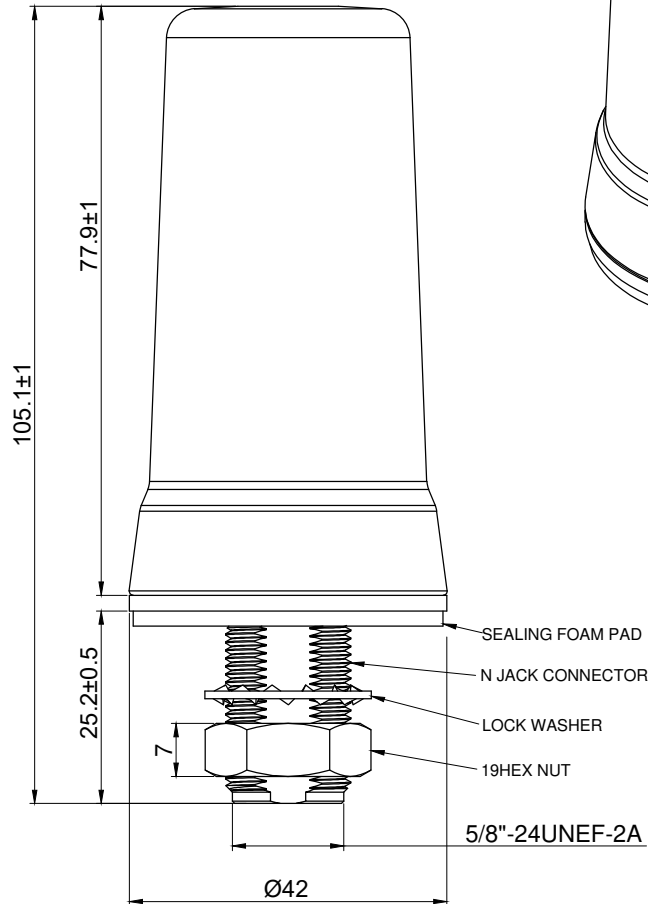


**NOTES**

1. THIS IS A RoHS COMPLIANT PRODUCT

REVISIONS		
REV	ECN	DATE
--	---	----



RECOMMENDED MOUNTING HOLE

Electrical Properties			
Frequency Range	698~960 MHz 1710~2170 MHz 2300~2700 MHz		
Impedance	50Ω		
V.S.W.R.	≤3.0		
Radiation	Omni		
Gain	2dBi@698~960/1710~2170MHz 3dBi@2300~2700MHz		
Polarization	Vertical		
Wave Length , type	Microstrip		
Beam Width(±3dB)	60°@E-Plane 360°@H-Plane		
Test Ground Size	50*50CM		
Mechanical Properties			
Radome Material	GE1731		
Connector Type	N JACK		
IP Level	IP-65		
Dimension	L=105.5mm		
Weight	164 g (est )		
Operating Temp.	-20℃ ~ +65℃		
Storage Temp.	-30℃ ~ +70℃		
TITLE	Multi-Band Low Profile Antenna 698-960/1710-2700MHz	Rev. Date	SHEET
UNIT	DWG. NO.	11/11/18	1 OF 1
mm	W771N-LTE		
SCALE	<b>NEARSON</b>		
none			