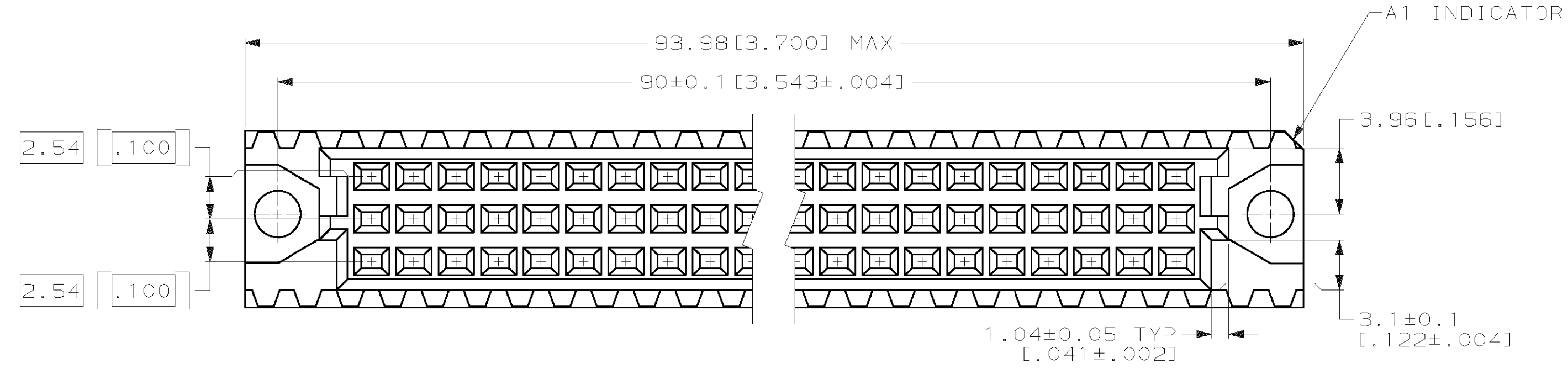
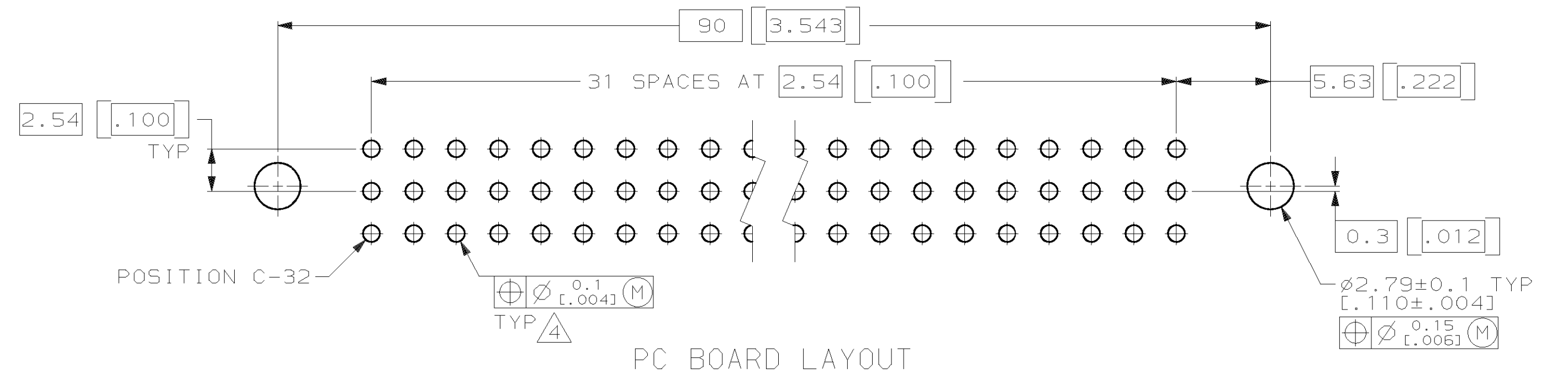
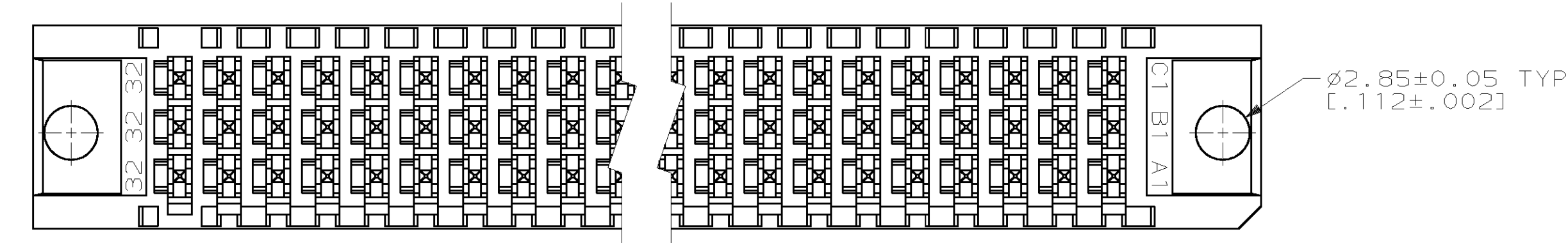
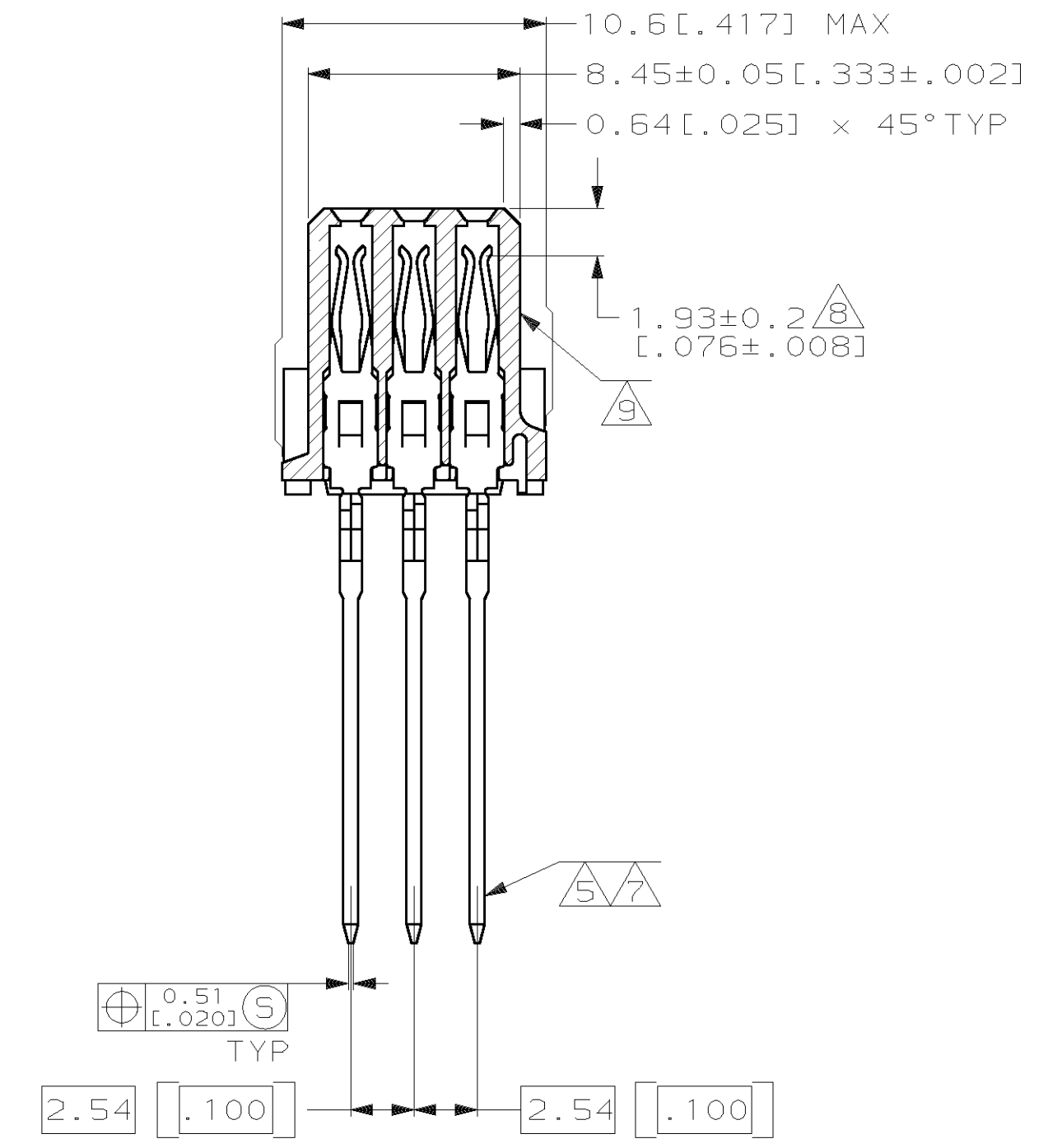
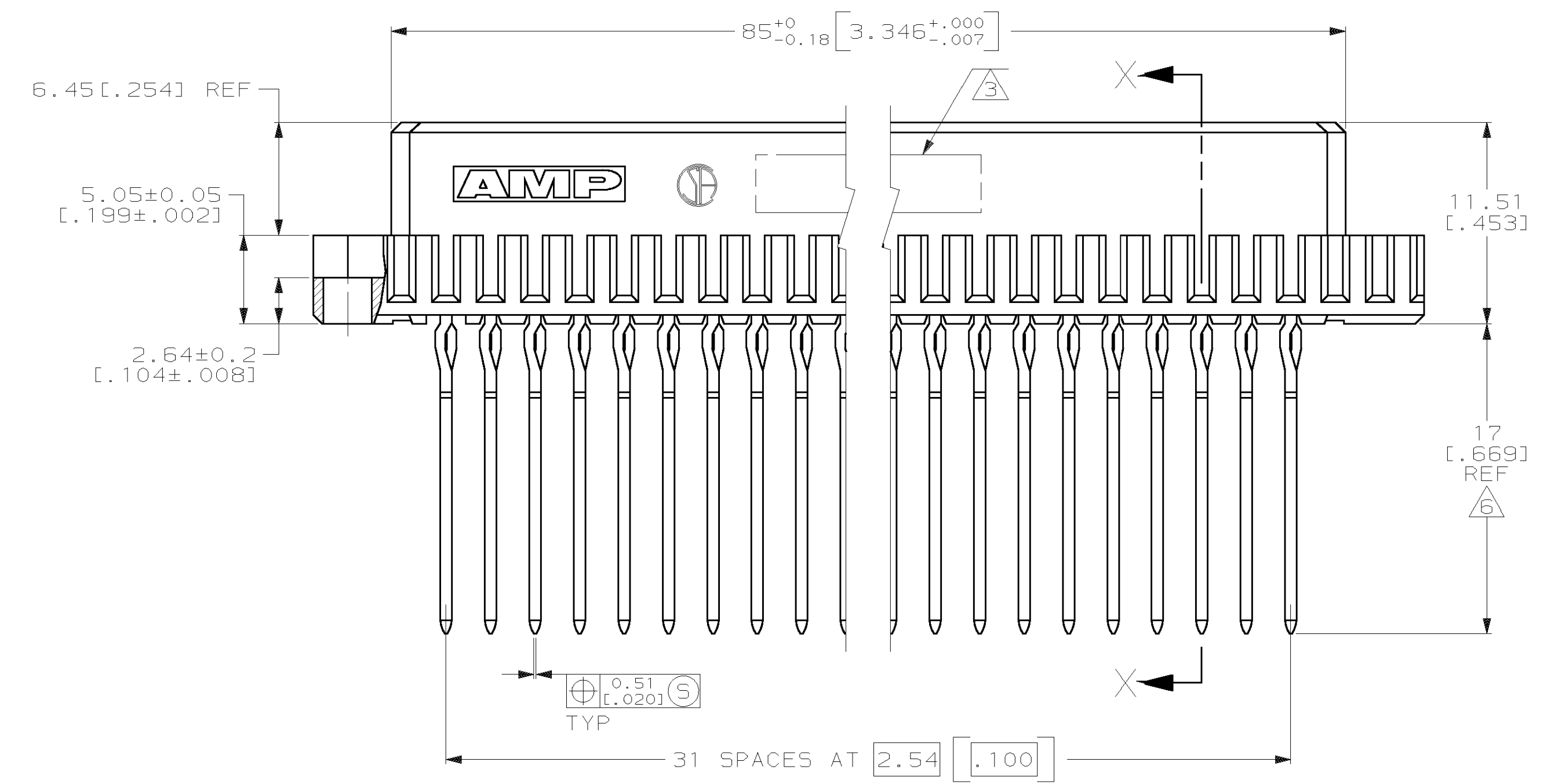


| LOC | DIST | P | F | ZONE | LTR | DESCRIPTION | DATE | APPD |
|-----|------|---|---|------|-----|----------------------------|-----------|--------|
| AD | 25 | | | | | O DRAWN | - | - |
| | | | | | | A EC 0010-1152-95 | 10/10/95 | LSB |
| | | | | | | B REVISED PER 0503-0580-97 | 9-30-97 | JG |
| | | | | | | C PER EC 0620-0147-98 | T.S. | 6-4-98 |
| | | | | | | D REV PER EC 0U1B-0136-99 | 06 OCT 99 | CR |



- △ HOUSING MATERIAL: GLASS-FILLED POLYESTER. COLOR: GRAY.
- △ CONTACT MATERIAL: PHOSPHOR BRONZE.
- △ PART NUMBER AND DATE CODE HOT STAMPED IN THIS APPROXIMATE AREA.
- △ ACTION PIN POSTS REQUIRE 1.57[.062] MINIMUM THICK PC BOARD. RECOMMENDED PC BOARD DRILLED HOLES ARE 1.15±0.025[.0453±.0010] DIAMETER WITH 0.02-0.08[.001-.003] COPPER AND 0.008[.0003] MINIMUM TIN-LEAD PLATING. FINISHED HOLE AFTER PLATING IS 1.02±0.08[.040±.002] DIAMETER.
- △ CONTACT FINISH: DIN 41612 CLASS 2 IN CONTACT AREA. TIN-LEAD PLATE ON POSTS.
- △ TAIL LENGTH AFTER SEATING IN PC BOARD.
- △ CONTACT FINISH: DIN 41612 CLASS 2 IN CONTACT AREA AND LAST 5.08[.200] OF POST.
- △ CONTACT POINT AFTER SEATED IN PC BOARD.
- △ HOT STAMPING ON THIS SIDE.



| | | | |
|---|--|---|--|
| DO NOT SCALE PRINT. UNLESS SPECIFIED DIMENSIONS IN mm [INCHES] TOLERANCES ON: 2 PLC DEC ±0.13[.005] 3 PLC DEC ±- ANGLES ±- | | DR L. BRINER 7/26/94 CHK R. PATTERSON 8/9/94 APPD R. PATTERSON 8/9/94 MATERIAL HOUSING: △ CONTACTS: △ | AMP Incorporated Harrisburg, PA 17105-3608 |
| FINISH CONTACTS: △ | | APPD R. PATTERSON 8/9/94 PRODUCT SPEC - APPLICATION SPEC - WEIGHT - | NAME RECEPTACLE ASSEMBLY, EUROCARD, TYPE "C" SIZE D 00779 CAGE CODE C-148059 DRAWING NO C-148059 SCALE 4:1 SHEET 1 OF 1 |

THIS DRAWING IS A CONTROLLED DOCUMENT FOR AMP INCORPORATED. IT IS SUBJECT TO CHANGE AND THE CONTROLLING ENGINEERING ORGANIZATION SHOULD BE CONTACTED FOR THE LATEST REVISION.