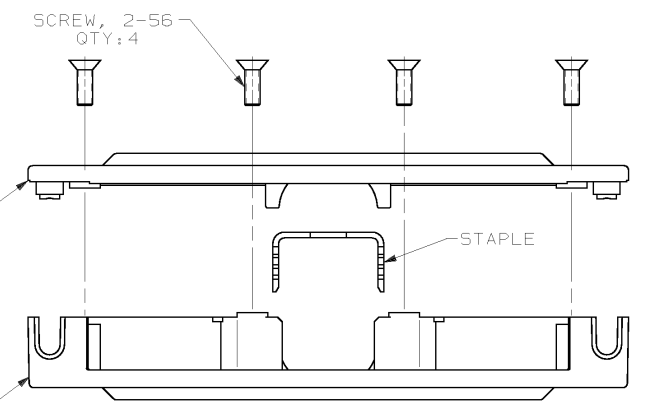
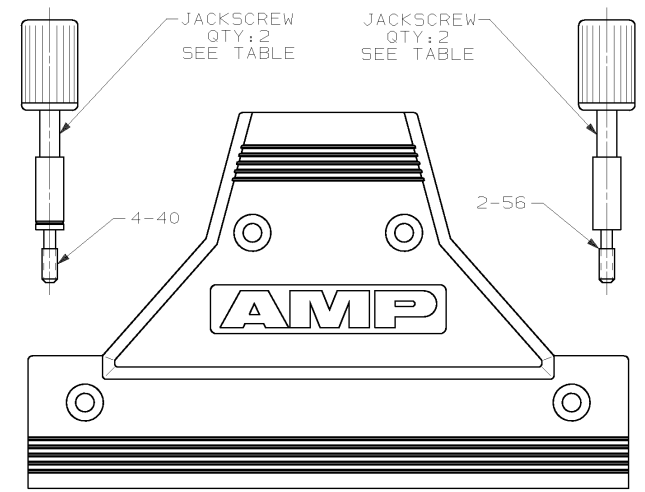
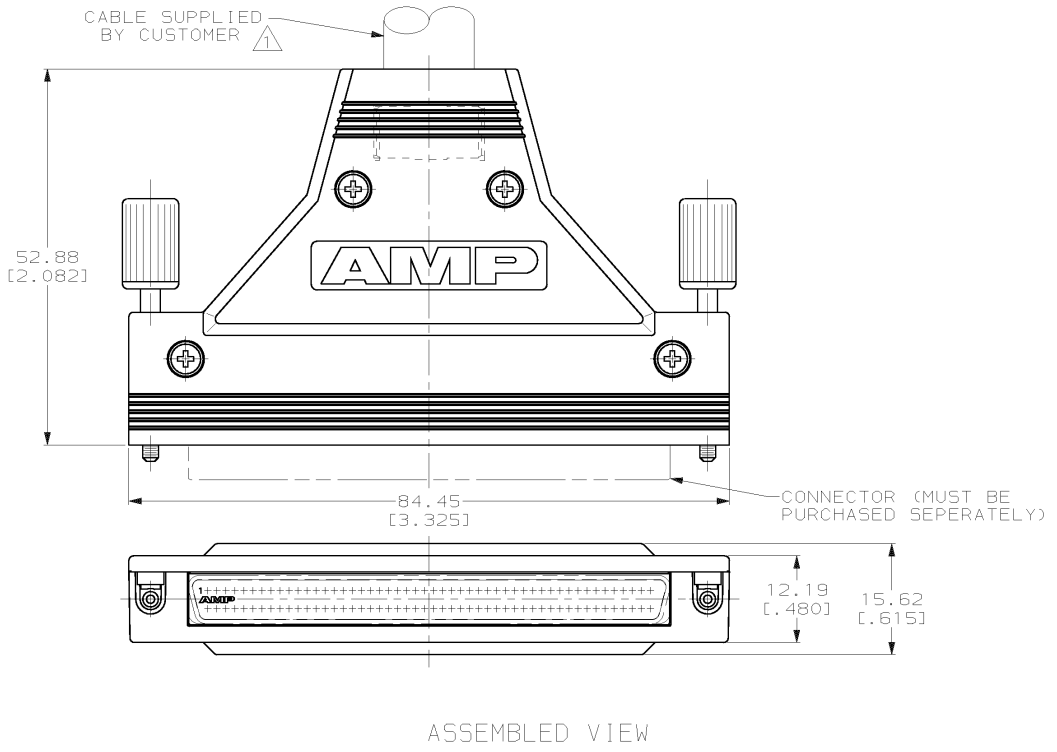


LOC		DIST		REVISIONS				DATE	APPD
GP	00	R	F	ZONE	LTR	DESCRIPTION			
					D	REVISED PER EC 0513-0160-03	22MAY03	JG	



- ① 12.70 [.500] MAX CABLE DIA.
- ② MATERIAL: ZINC.
- ③ PLATING: NICKEL OVER COPPER.
- ④ MATERIAL: STEEL.
- ⑤ PLATING: BRIGHT TIN-LEAD OVER NICKEL.
- ⑥ FLAME RETARDANT 94 V-0 RATED, POLYOLEFIN OR PVC, COLOR: BLACK.
- ⑦ BLACK ZINC PLATED.
- ⑧ MATERIAL: STAINLESS STEEL.
- ⑨ PLATING: BRIGHT TIN OVER NICKEL.

	2-56 UNC	⑨	749854-3
OBSOLETE	4-40 UNC	⑤	749854-2
	2-56 UNC	⑤	749854-1
	JACKSCREW THREAD	STAPLE FINISH	PART NO

DO NOT SCALE PRINT. UNLESS SPECIFIED DIMENSIONS IN mm [INCHES] TOLERANCES ON : 2 PLC DEC ±0.38 [1.015] 3 PLC DEC ± - ANGLES ± -	DR 02-19-90 M.E. SHIRK CHK 02-19-90 J.BROSCHARD APPD 02-21-90 D.GRIESEMER APPD 02-19-90 R.WHITEMAN	AMP AMP Incorporated Harrisburg, PA 17105-3608	
MATERIAL STAPLE: ④ JACKSCREWS: ④ ⑥ SCREWS: ⑧ BACKSHELLS: ③	PRODUCT SPEC -	NAME INDIVIDUAL KIT, BACKSHELLS WITH MALE JACKSCREWS, HSC, 100 POSITION, AMPLIMITE™ .050 SERIES	
FINISH STAPLE: SEE TABLE JACKSCREWS: ⑦ BACKSHELLS: ③	APPLICATION SPEC -	SIZE C 00779	DRAWING NO C=749854
	WEIGHT -	SCALE 2:1	SHEET 1 OF 1

THIS DRAWING IS A CONTROLLED DOCUMENT FOR AMP INCORPORATED. IT IS SUBJECT TO CHANGE AND THE CONTROLLING ENGINEERING ORGANIZATION SHOULD BE CONTACTED FOR THE LATEST REVISION.