

10 9 8 7 6 5 4 3 2 1

F

E

D

C

B

A

F

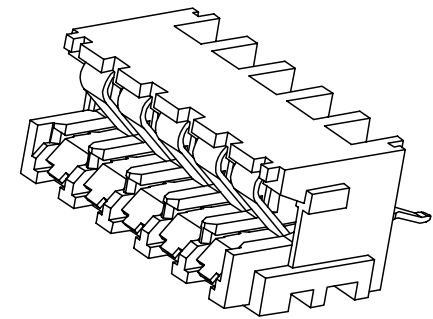
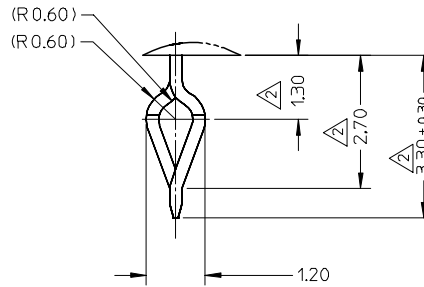
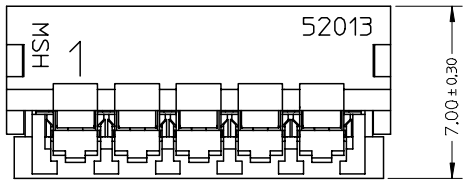
E

D

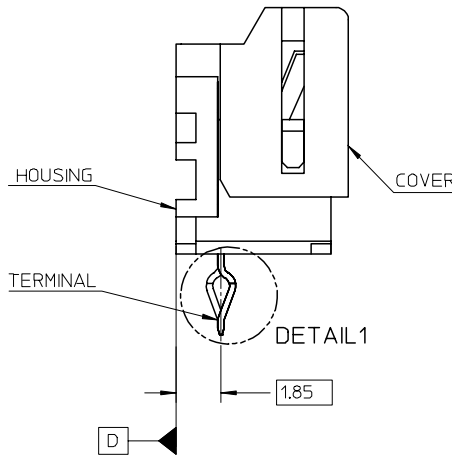
C

B

A

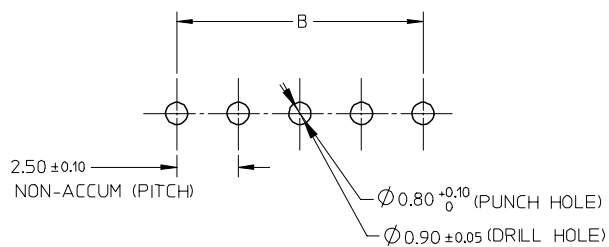
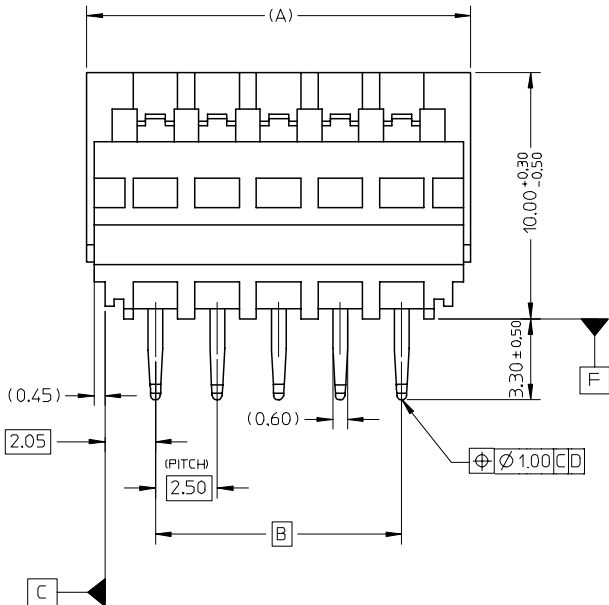


DETAIL1



NOTES:

- MATERIAL:
HOUSING: PBT,15% GLASS FILLED,UL94V-0
TRAP-COVER: PBT,30% GLASS FILLED,UL94V-0
TERMINAL: PHOSPHOR BRONZE;
- MISALIGNMENT OF TERMINAL FROM **F**
- THE PRODUCT SPECIFICATION REVIEW: PS-52011-001
- THE PART 52260-0*10 COMPLIANT TO RoHS DIRECTIVE 2002/95/EC AND ELV 2000/53/EC.



P.C. BOARD LAYOUT (t=1.6)

10.00	15.60	500098200	52013-0500	52011-0500	522600510	5
7.50	13.10	500098200	52013-0400	52011-0400	522600410	4
5.00	10.60	500098200	52013-0300	52011-0300	522600310	3
B	A	TERMINAL	COVER	HOUSING	ENG.NO.	CKT

NEW RELEASE EC NO: SH2007-0738 DRWN:HPQIAN 2007/04/09 CHKD:HARVEY APPR: JNCHEN 2007/04/13	QUALITY SYMBOLS ▽=0 ▽=0	GENERAL TOLERANCES (UNLESS SPECIFIED)		DIMENSION STYLE MM ONLY		SCALE 5:1	DESIGN UNITS METRIC	THIRD ANGLE PROJECTION																					
		<table border="1"> <tr> <th></th> <th>mm</th> <th>INCH</th> </tr> <tr> <td>4 PLACES</td> <td>± ---</td> <td>± ---</td> </tr> <tr> <td>3 PLACES</td> <td>± ---</td> <td>± ---</td> </tr> <tr> <td>2 PLACES</td> <td>± 0.25</td> <td>± ---</td> </tr> <tr> <td>1 PLACE</td> <td>± ---</td> <td>± ---</td> </tr> <tr> <td colspan="3">ANGULAR ± ---°</td> </tr> </table>			mm	INCH	4 PLACES	± ---	± ---	3 PLACES	± ---	± ---	2 PLACES	± 0.25	± ---	1 PLACE	± ---	± ---	ANGULAR ± ---°			DRAWN BY HPQIAN		DATE 2006/10/11		TITLE 2.5 PITCH WIRE-TRAP CONNECTOR ASS'Y (ST)			
			mm	INCH																									
		4 PLACES	± ---	± ---																									
3 PLACES	± ---	± ---																											
2 PLACES	± 0.25	± ---																											
1 PLACE	± ---	± ---																											
ANGULAR ± ---°																													
DRAFT WHERE APPLICABLE MUST REMAIN WITHIN DIMENSIONS		CHECKED BY HARVEY		DATE 2006/10/11																									
APPROVED BY JNCHEN		DATE 2006/10/11		MOLEX INCORPORATED																									
MATERIAL NO.		SEE TABLE		DOCUMENT NO. SD-52260-001		SHEET NO. 1 OF 1																							

9 8 7 6 5 4 3 2 1