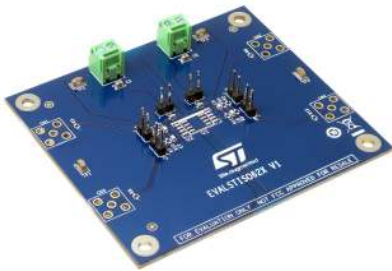

Dual channel digital isolator evaluation board



Features

- Dual channel digital isolator
- Supply voltage up to 5 V
- SO8 and SO8 wide package
- 6k V galvanic isolation technology⁽¹⁾

1. Details about isolation parameters are available in the specific part number's datasheet

Description

The EVALSTISO62XV1 allows a complete evaluation of the dual channel digital isolators of the STISO family.

Based on ST's thick oxide galvanic isolation technology, the STISO digital isolators feature high speed communication and reduced high speed distortion.

Product status link

EVALSTISO62XV1

1 Schematic diagram and bill of materials

Figure 1. Schematic diagram

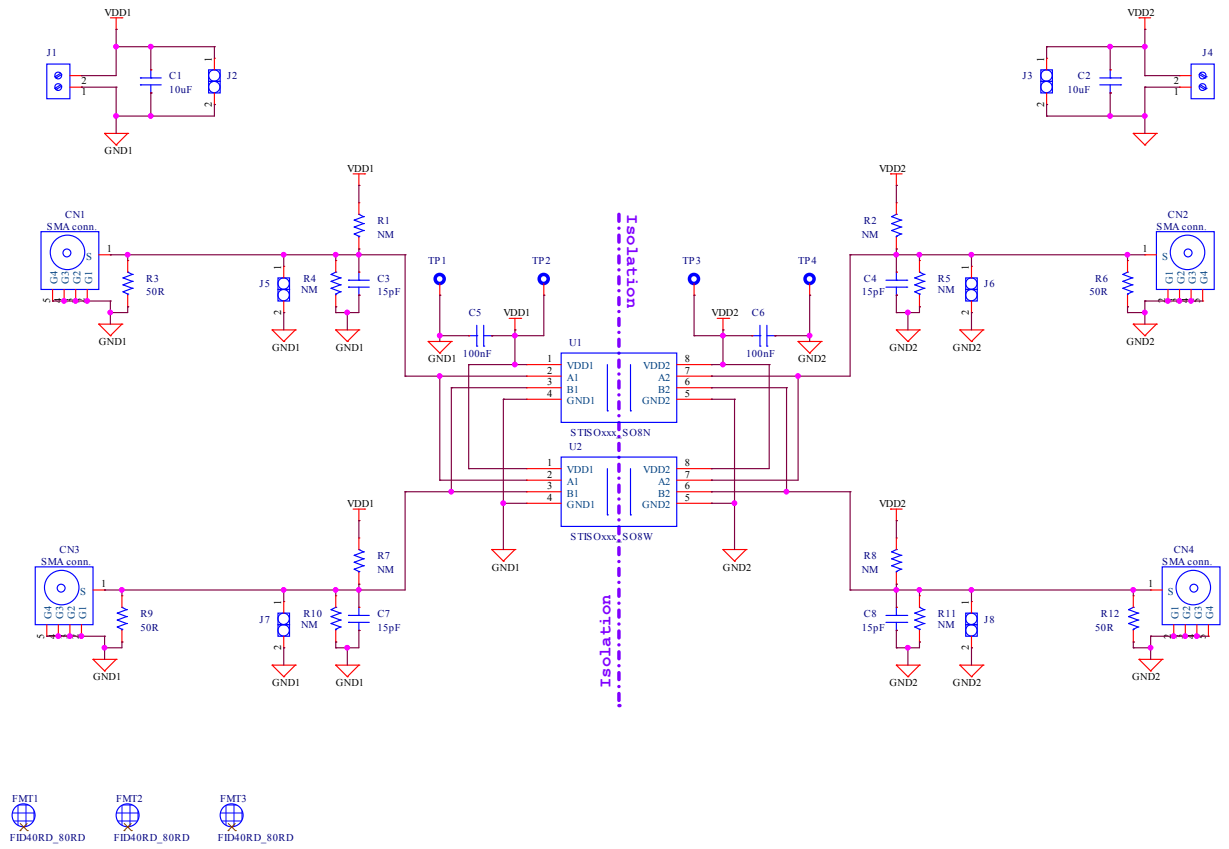


Table 1. Bill of materials

Item	Quantity	Reference	Description	Part / Value	Voltage	Power	Tolerance	Package	Manufacturer's Order Code / Orderable Part Number	Manufacturer	Additional Notes
1	4	CN1,CN2, CN3,CN4	SMA PCB THT Straight 50 ohm connector	SMA conn.					60312002114503 or equivalent	Würth Elektronik	Not mounted
2	2	C1,C2	SMT ceramic capacitor	10uF	6V3			Size 0805			
3	4	C3,C4,C7, C8	SMT ceramic capacitor	15pF	6V3			Size 0603			
4	2	C5,C6	SMT ceramic capacitor	100nF	6V3			Size 0603			
5	2	J1,J4	Terminal block T.H. 2 positions, 3.5 mm	MORSV-350-2P_s crew				Pitch 3,5 mm	691214110002 or equivalent	Würth Elektronik	
6	6	J2,J3,J5, J6,J7,J8	Strip connector 2 pos, 2.54 mm	STRIP 2poli				1x2 pins	61300211121 or equivalent	Würth Elektronik	
7	8	R1,R2,R4, R5,R7, R8,R10,R11	SMT resistor	NM		0.1 W		Size 0603	Not mounted		Not mounted
8	4	R3,R6,R9, R12	SMT resistor	50R		0.1 W		Size 0603			Not mounted
9	4	TP1,TP2,TP3,TP4	65x128 mils SMD hardware test points	TP-SMD-S1751-46R				SMD 65x128 pad	S1751-46R or equivalent	HARWIN	
10	1	U1	Dual channel digital isolator	STISOxxx_SO8N						STMicroelectronics	Not mounted
11	1	U2	Dual channel digital isolator	STISOxxx_SO8W						STMicroelectronics	Not mounted

Revision history

Table 2. Document revision history

Date	Version	Changes
26-Nov-2020	1	Initial release.



Contents

1 Schematic diagram and bill of materials.....	2
Revision history	4
Contents	5

IMPORTANT NOTICE – PLEASE READ CAREFULLY

STMicroelectronics NV and its subsidiaries (“ST”) reserve the right to make changes, corrections, enhancements, modifications, and improvements to ST products and/or to this document at any time without notice. Purchasers should obtain the latest relevant information on ST products before placing orders. ST products are sold pursuant to ST’s terms and conditions of sale in place at the time of order acknowledgement.

Purchasers are solely responsible for the choice, selection, and use of ST products and ST assumes no liability for application assistance or the design of Purchasers’ products.

No license, express or implied, to any intellectual property right is granted by ST herein.

Resale of ST products with provisions different from the information set forth herein shall void any warranty granted by ST for such product.

ST and the ST logo are trademarks of ST. For additional information about ST trademarks, please refer to www.st.com/trademarks. All other product or service names are the property of their respective owners.

Information in this document supersedes and replaces information previously supplied in any prior versions of this document.

© 2020 STMicroelectronics – All rights reserved