

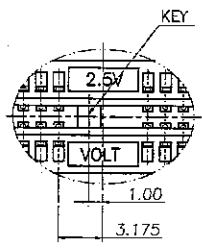
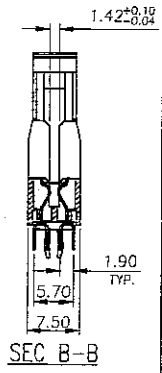
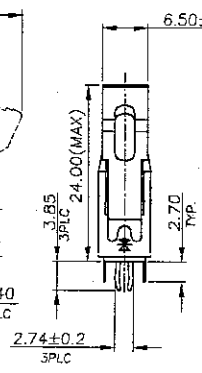
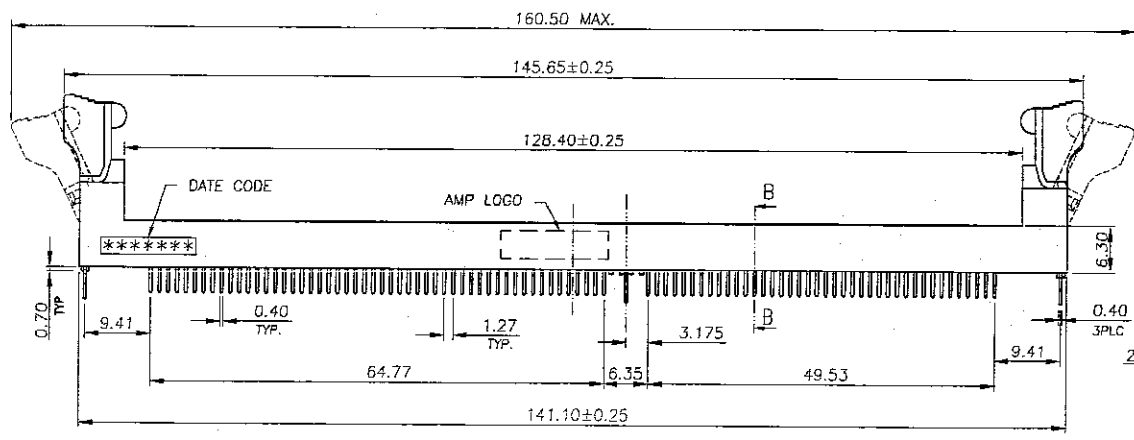
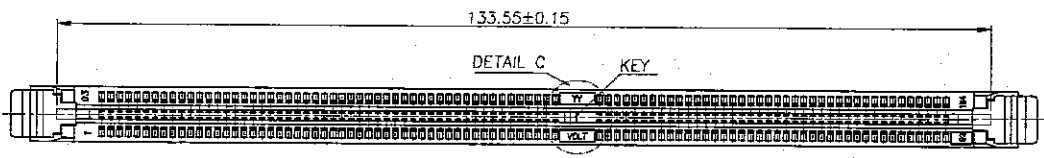
NUMBER C-1734215

3RD ANGLE PROJECTION

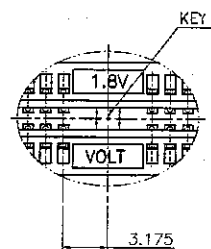
METRIC

THIS INFORMATION IS CONFIDENTIAL AND IS DISCLOSED TO YOU ON CONDITION THAT YOU WILL NOT DISCLOSE IT TO OTHER THAN AMP PERSONNEL WITHOUT WRITTEN AUTHORIZATION FROM AMP (TWAIN) LTD. DIMENSION IN MILLIMETERS. DO NOT SCALE PRINT.

- NOTES :
- MATERIAL :
 - HOUSING : THERMOPLASTIC(PA46), w/ 30% G/F, UL 94 V-0, COLOR: SEE TABLE.
 - EXTRACTOR : THERMOPLASTIC, w/ 30% G/F, COLOR: WHITE; Δ BLUE(2945C)
 - CONTACTS : PHOSPHOR BRONZE
 - BOARDLOCK : BRASS
 - FINISH:
 - CONTACT: GOLD PLATING (SEE TABLE) ON CONTACT AREA, 100 μ MIN. MATTE TIN PLATING ON SOLDER TAIL AREA, 50 μ MIN. NICKEL UNDERPLATING OVERALL
 - BOARDLOCK: 100 μ MIN. MATTE TIN PLATING, 50 μ MIN. NICKEL UNDERPLATING OVERALL
 - WAVE SOLDER CAPABLE TO 265°C PER TYCO SPEC. 109-202, CONDITION B.



DETAIL C (2.5V)
SCALE 2:1



DETAIL C (1.8V)
SCALE 2:1

PHOSPHOR BRONZE VERSION OF CONTACT MATERIAL

HSG COLOR	VOLTAGE	GOLD FLASH	PART NUMBER
APPLE GREEN 382U	2.5V DC VIEW B	GOLD FLASH	9-1734215-3
	1.8V DC VIEW A	GOLD FLASH	9-1734215-1
YELLOW 115C	2.5V DC VIEW B	GOLD FLASH	8-1734215-3
	1.8V DC VIEW A	GOLD FLASH	8-1734215-1
BLUE GREEN 338U	2.5V DC VIEW B	GOLD FLASH	5-1734215-3
	1.8V DC VIEW A	GOLD FLASH	5-1734215-1
PURPLE 2726U	2.5V DC VIEW B	GOLD FLASH	4-1734215-3
	1.8V DC VIEW A	GOLD FLASH	4-1734215-1
RED 193C	2.5V DC VIEW B	15 μ	2-1734215-4
	1.8V DC VIEW A	GOLD FLASH	2-1734215-3
		GOLD FLASH	2-1734215-1
BLUE 2945C	2.5V DC VIEW B	15 μ	1-1734215-4
	1.8V DC VIEW A	GOLD FLASH	1-1734215-3
		GOLD FLASH	1-1734215-1
BLACK	2.5V DC VIEW B	GOLD FLASH	Δ 1734215-5
	1.8V DC VIEW A	GOLD FLASH	1734215-4
		GOLD FLASH	1734215-3
		GOLD FLASH	1734215-1

TOLERANCES UNLESS OTHERWISE SPECIFIED:	DWN	S. HOU 22-MAY-2006	tyco TYCO HOLDINGS (BERMUDA) VII LTD. TAIWAN BRANCH	
0 PLC ±	CHK	W.J. KE	Electronics NAME	
1 PLC ±0.3		22-MAY-2006	SOCKET ASSEMBLY, DIMM 2P LOW INSERTION FORCE, 184 POSITION	
2 PLC ±0.2			QUALIFICATION TEST REPORT 501-57433	
3 PLC ±			WEIGHT 8.9 GRAM	
ANGLES ±0.5°			SCALE ---	
MATERIAL	APVD	W.J. KE 22-MAY-2006	DRAWING NO C-1734215	
SEE NOTE	PRODUCT SPEC 109-57401		REV A	
SEE NOTE	FINISH		SHEET 1 OF 4	
SEE NOTE			CUSTOMER DRAWING	

A	REVISED	ECR-06-010456	SH WK	22MAY 2006
O	FIRST RELEASED	FZ00-0010-05	SH WK	17JAN 2005
LTR	REVISION RECORD	ECN	DR CHK	DATE

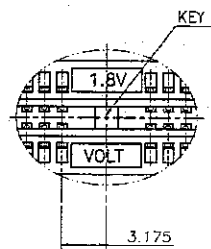
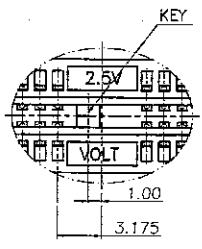
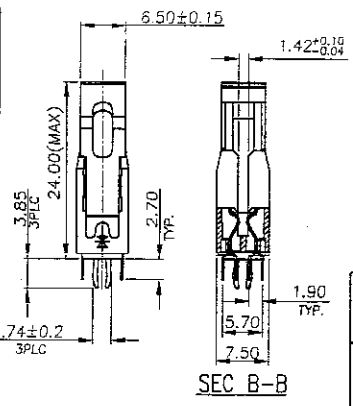
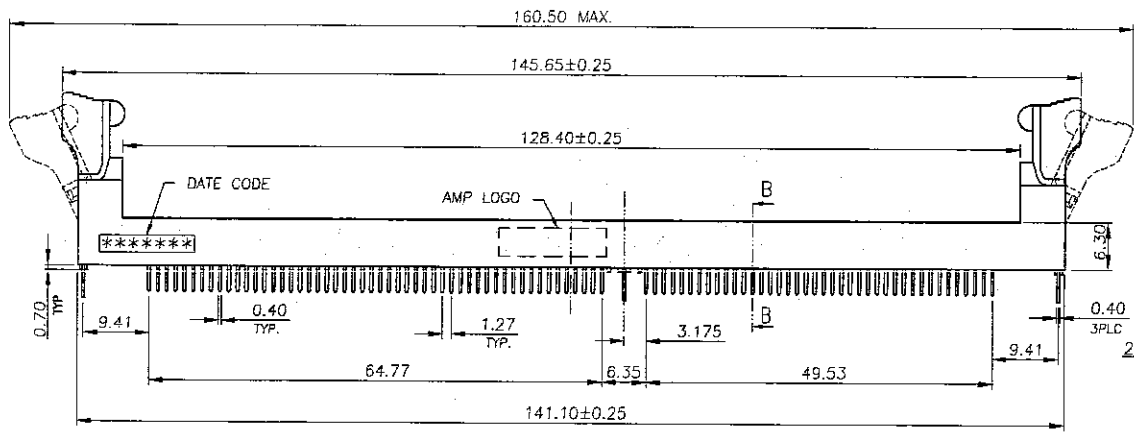
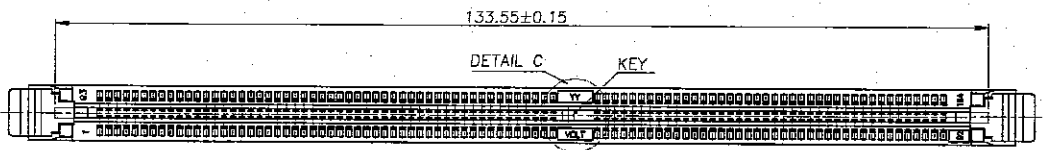
NUMBER C-1734215

3RD ANGLE PROJECTION

METRIC

THIS INFORMATION IS CONFIDENTIAL AND IS DISCLOSED TO YOU ON CONDITION THAT YOU WILL NOT DISCLOSE IT TO OTHERS WITHOUT THE WRITTEN AUTHORIZATION FROM AMP (TAINAN) LTD. DIMENSION IN MILLIMETERS. DO NOT SCALE PRINT.

- NOTES :
- MATERIAL :
 - HOUSING : THERMOPLASTIC(PA46) W/ 30% G/F, UL 94 V-0, COLOR: SEE TABLE.
 - EXTRACTOR : THERMOPLASTIC, W/ 30% G/F, COLOR: WHITE.
 - CONTACTS : BRASS
 - BOARDLOCK : BRASS
 - FINISH:
 - CONTACT:
 - GOLD PLATING (SEE TABLE) ON CONTACT AREA
 - 100μ" MIN. MATTE TIN PLATING ON SOLDER TAIL AREA, 50μ" MIN. NICKEL UNDERPLATING OVERALL
 - BOARDLOCK:
 - 100μ" MIN. MATTE TIN PLATING
 - 50μ" MIN. NICKEL UNDERPLATING OVERALL,
 - WAVE SOLDER CAPABLE TO 265°C PER TYCO SPEC. 109-202, CONDITION B.



BRASS VERSION OF CONTACT MATERIAL

APPLE GREEN 382U	2.5V DC VIEW B	GOLD FLASH	7-1734215-3
	1.8V DC VIEW A	GOLD FLASH	7-1734215-1
YELLOW 115C	2.5V DC VIEW B	GOLD FLASH	6-1734215-3
	1.8V DC VIEW A	GOLD FLASH	6-1734215-1
PURPLE 2726U	2.5V DC VIEW B	GOLD FLASH	4-1734215-7
	1.8V DC VIEW A	GOLD FLASH	4-1734215-5
BLACK	2.5V DC VIEW B	15μ"	3-1734215-4
		GOLD FLASH	3-1734215-3
	1.8V DC VIEW A	15μ"	3-1734215-2
RED 193C		GOLD FLASH	3-1734215-1
	2.5V DC VIEW B	GOLD FLASH	2-1734215-7
	1.8V DC VIEW A	GOLD FLASH	2-1734215-5
BLUE 301C	2.5V DC VIEW B	GOLD FLASH	1-1734215-7
	1.8V DC VIEW A	GOLD FLASH	1-1734215-5
HSG COLOR	VOLTAGE	GOLD PLATED	PART NUMBER

TOLERANCES UNLESS OTHERWISE SPECIFIED:	DWN	S. HOU	TYCO	TYCO HOLDINGS (BERMUDA)
0 PLC ±		22-MAY-2006	Electronics	VII LTD. TAIWAN BRANCH
1 PLC ±0.3	CHK	W.J. KE	NAME	
2 PLC ±0.2		22-MAY-2006		
3 PLC ±				
ANGLES ±0.5°				
MATERIAL	APVD	W.J. KE	SOCKET ASSEMBLY, DIMM 2P	
SEE NOTE		22-MAY-2006	LOW INSERTION FORCE, 184	
	PRODUCT SPEC		POSITION	

FINISH	QUALIFICATION TEST REPORT	LOC DW	SIZE A3	DRAWING NO C-1734215
SEE NOTE	---	SCALE		REV A
	WEIGHT			SHEET
	5.9 GRAM			2 OF 4

SEE SHEET 1				
LTR	REVISION RECORD	ECN	DR	DATE
			CHK	

NUMBER
C-1734215

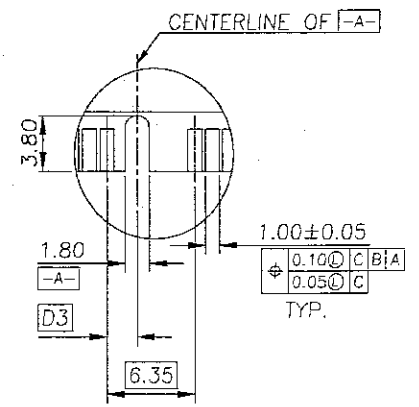
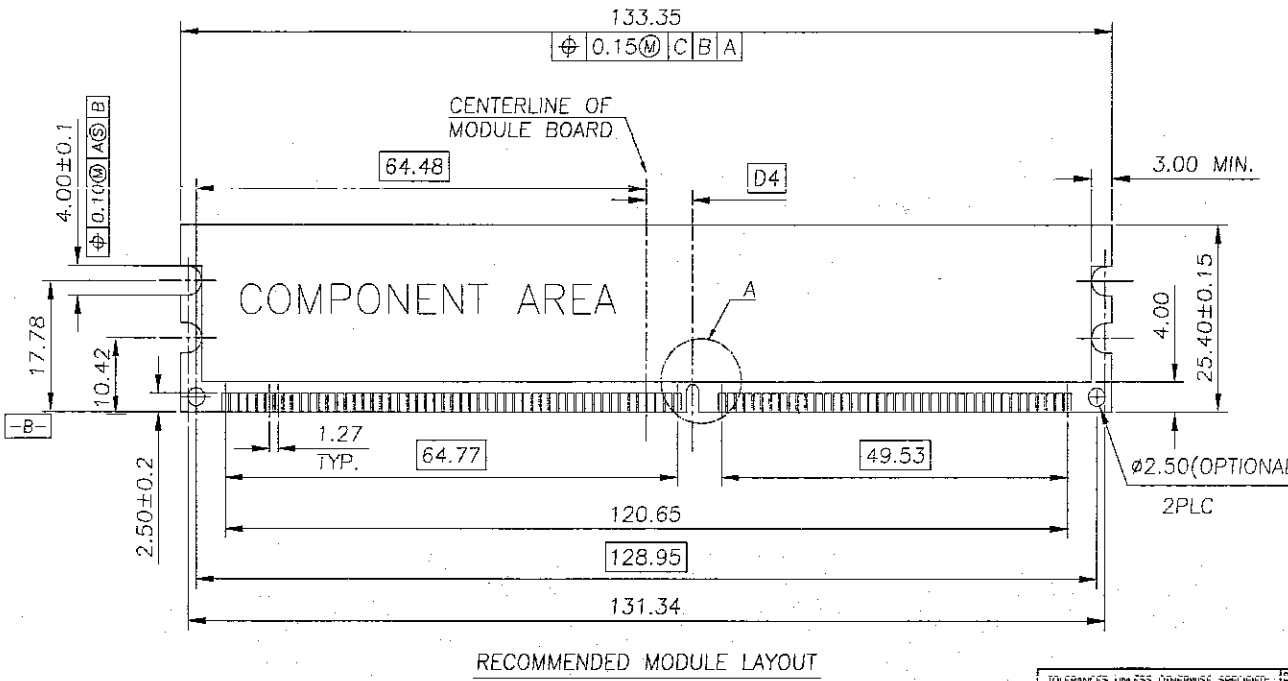
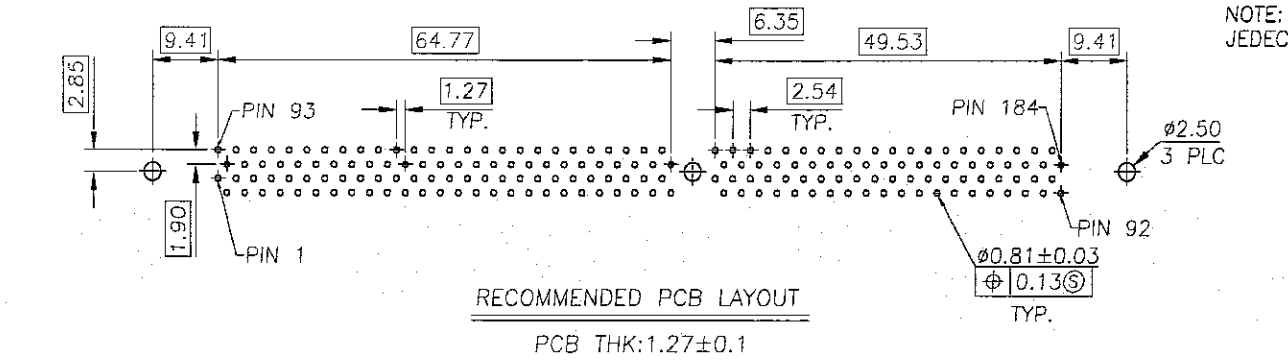
3RD ANGLE PROJECTION

METRIC

THIS INFORMATION IS CONFIDENTIAL AND IS RELEASED TO YOU ON CONDITION THAT NO FURTHER DISCLOSURE IS MADE BY YOU TO OTHER THAN AMP PERSONNEL WITHOUT WRITTEN AUTHORIZATION FROM AMP (TAIWAN) LTD. DIMENSIONS IN MILLIMETERS. DO NOT SCALE PRINT.

PRINT
DW

NOTE:
JEDEC SPEC MO-206 FOR COMPLETE MODULE

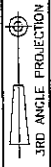


7.62	3.175	1.8V
6.62	2.175	2.5V
D4	D3	VOLTAGE
DIMENSION		

TOLERANCES UNLESS OTHERWISE SPECIFIED: 0 PLC ±0.3 1 PLC ±0.2 2 PLC ±0.2 3 PLC ±0.2 ANGLES ±3°	CHK W.J. KE 22-MAY-2008	S. HOU 22-MAY-2008	tyco Electronics TYCO HOLDINGS (BERMUDA) VII LTD. TAIWAN BRANCH
MATERIAL	APVD W.J. KE 22-MAY-2008	NAME W.J. KE	
FINISH	APPLICATION SPEC	LOC DW A3	SOCKET ASSEMBLY, DIMM 2P LOW INSERTION FORCE, 184 POSITION
WEIGHT		SIZE A3	
SEE SHEET 1	REVISION RECORD	ECN	DRAWING NO C-1734215
LTR	REVISION RECORD	ECN	REV A
DWN	CHK	DATE	SCALE --
			SHEET 3 OF 4

8 7 6 5 4 3 2 1 CUSTOMER DRAWING

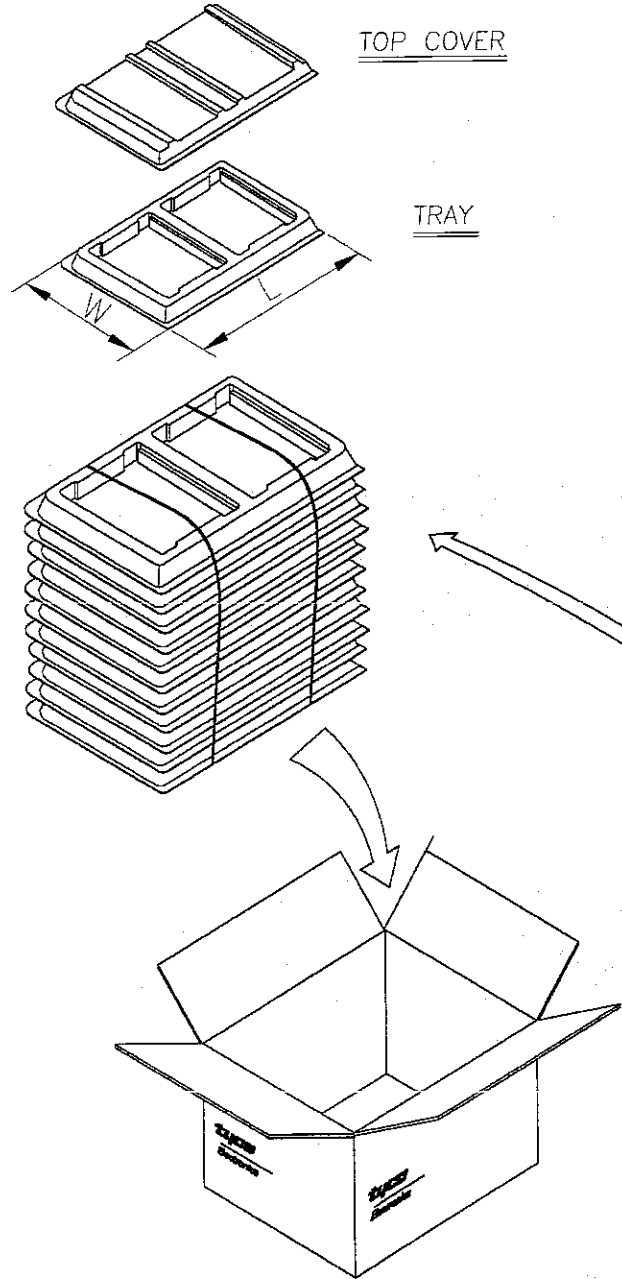
NUMBER C-1734215



METRIC

THIS INFORMATION IS CONFIDENTIAL AND IS DISCLOSED TO YOU ON A CONDITION THAT YOU WILL NOT REPRODUCE IT OR DISCLOSE IT TO ANY OTHER PERSON WITHOUT THE WRITTEN AUTHORIZATION FROM AMP (TAIWAN) LTD. DIMENSION IN MILLIMETERS. DO NOT SCALE PRINT.

PRINT DW



- NOTES :
1. MATERIAL :
 - 1.1 TRAY : PVC
 - 1.2 SHIPPING CARTON : CORRUGATED FIBERBOARD
 2. DIMENSION :
 - 2.1 TRAY : L=363, W=255, H=33
 - 2.1 SHIPPING CARTON : L=380, W=270, H=340
 3. QUANTITY :
 - 3.1 PRIMARY PACKING: 50 PCS/TRAY
 - 3.2 SECONDARY PACKING: 10 TRAY/CARTON(500PCS)
 4. WEIGHT :
 - 4.1 NET WEIGHT : 4.45Kg
 - 4.2 GROSS WEIGHT : 6.478Kg

SEE SHEET 1.	ECN	DR	CHK	DATE
LTR	REVISION RECORD			

TOLERANCES UNLESS OTHERWISE SPECIFIED:		DWN	S. HOU	tyco	TYCO HOLDINGS (BERMUDA)
0 PLC	#		22-MAY-2006	Electronics	VII LTD. TAIWAN BRANCH
1 PLC	#	CHK	W.J. KE	NAME	
2 PLC	#		22-MAY-2006		
3 PLC	#				
ANGLES	#				
MATERIAL	SEE NOTE	APVD	W.J. KE	SOCKET ASSEMBLY, DIMM 2P	
		PRODUCT SPEC	22-MAY-2006	LOW INSERTION FORCE, 184	
FINISH		APPLICATION SPEC		LOC	SIZE
		WEIGHT		DW	A ₃
				DRAWING NO	C-1734215
				REV	A
				SCALE	
				SHEET	4 OF 4

8 7 6 5 4 3 2 1 CUSTOMER DRAWING