

## CODE 54 - HEAT SHRINK BOOT BACKSHELL

202M016-19C

SERIES \_\_\_\_\_  
 ORDER NUMBER (TABLE 1) \_\_\_\_\_  
 MATERIAL \_\_\_\_\_  
 REFER TO CH00-0250-004  
 FINISH \_\_\_\_\_  
 REFER TO CH00-0250-004  
 MODIFICATION CODE \_\_\_\_\_  
 REFER TO CH00-0250-004 (2)

### NOTES:

1. THIS PRODUCT IS DESIGNED TO TERMINATE A HEAT SHRINKABLE LIPPED BOOT TO A CONNECTOR.

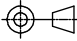

(2) FOR ADDITIONAL DIMENSIONS, ORDERING INFORMATION AND MODIFICATIONS, SEE CH00-0250-004.

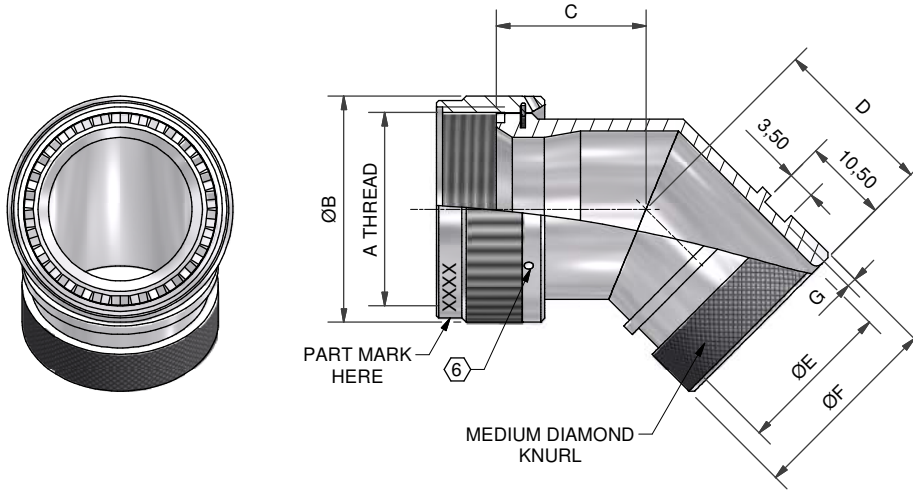
3. ADAPTOR TO BE PERMANENTLY MARKED/BAGGED AND LABELLED WITH CODE IDENTIFICATION NUMBER AND PART NUMBER. (e.g. 06090-202M016-19B).

(4) BACKSHELL MATES TO MIL-C-81703, SERIES III, MS3424, MS3446, MS3464, MS3467, MS3468, CLASS E & L

(5) BACKSHELL MATES TO MIL-C-5015G, MS3400 SERIES, CLASS D, E, K, L, U & W, MS3400, MS3401, MS3404, MS3406, MS3450, MS3451, MS3454, MS3456, MS3470, MS3471, MS3472, MS3474, MS3475, MS3476. MIL-C-83723, SERIES II, CLASS A & L. MIL-C-83723, SERIES I & III, CLASS A, G, K, R & S: M83723/1, /2, /3, /4, /5, /6, /7, /8, /13, /14, /36, /37, /38, /40, /41, /42, /43, /48, /49, /65, /66, /67, /68, /69, /70, /71, /72, /73, /74, /75, /76, /77, /78, /82, /83, /84, /85, /86, /87, /91, /92, /95, /97, /98, (MS3155 CONTROLLED INTERFACE).

(6) WHEN "L" MODIFICATION IS SPECIFIED, COUPLING NUT SHALL HAVE 3 WIRE HOLES, 120° APART.

<b>DRAWN</b>	K.WINCZURA	DATE 23/06/2015	 3RD ANGLE PROJECTION NOT TO SCALE	<b>TITLE:</b>	 <b>HEAT SHRINK BOOT BACKSHELL (CODE 54)</b>	
<b>CHECKED</b>		23/06/2015				
<b>APPROVED</b>	K.SHEPPARD	01/07/2015		UNLESS OTHERWISE SPECIFIED ALL DIMENSIONS IN MILLIMETRES <b>GENERAL TOL</b> LINEAR +/-0.25MM ANGULAR +/- 1°		<b>ASSY USED ON:</b>
<b>APPROVED</b>	H.SMITH	06/10/2015				MIL-DTL-81703 SERIES III / MIL-DTL-5015G / MIL-DTL-26482 SERIES II / MIL-DTL-83723 SERIES I & III
<b>REVISIONS</b>						
<b>LTR</b>	<b>DESCRIPTION</b>	<b>DATE</b>	<b>APPROVED</b>			
<b>B1</b>	REVISED PER ECO-12-011624	06/21/12	K.YEE			
<b>C</b>	REVISED PER ECO-15-014373	06/10/2015	H.SMITH			
TE CAGE CODE: 06090 POLAMCO/TE CAGE CODE: U5792				TE CONNECTIVITY - POLAMCO LTD RESERVES THE RIGHT TO AMEND THIS DRAWING AND THE INFORMATION SET FORTH HEREON AT ANY TIME. USERS SHOULD INDEPENDENTLY EVALUATE THE SUITABILITY OF THE PRODUCT FOR THEIR APPLICATION.	<b>DRAWING NO:</b> 202M0XX	
				<b>DRAWING REV:</b> C	<b>SHT</b> 1	



45° BACKSHELL

TABLE 1

ORDER NO.	SHELL SIZE	A THREAD	ØB MAX	C ±0,5	D ±0,5	ØE ±0,5	ØF MAX	G +0,20/-0
03	3	9/16-24 UNEF	17,0	16,8	17,1	6,7	13,5	1,12
08	8 & 8S	1/2-20 UNF	15,6	16,6	17,1	6,7	13,5	1,12
10	10, 10S, 10SL	5/8-24 UNEF	18,6	16,8	18,0	10,3	16,1	1,12
12	7 12 & 12S	3/4-20 UNEF	21,7	17,3	19,1	13,6	19,5	1,12
14	12 14 & 14S	7/8-20 UNEF	24,9	18,1	19,4	16,3	22,1	1,12
16	19 16 & 16S	1-20 UNEF	28,2	19,0	20,2	19,5	25,3	1,12
18	27 18	1 1/16-18 UNEF	30,9	19,2	20,5	21,9	27,7	1,12
20	37 20	1 3/16-18 UNEF	34,1	20,1	21,1	25,2	31,7	1,75
22	22	1 5/16-18 UNEF	37,3	20,3	22,0	28,3	34,8	1,75
24	24	1 7/16-18 UNEF	40,4	21,8	22,4	31,5	38,0	1,75
28	28	1 3/4-18UNS	50,0	23,3	25,2	37,5	44,0	1,75
32	32	2-18 UNS	56,3	25,0	26,4	41,4	47,9	1,75
36	36	2 1/4-16 UN	62,7	26,2	27,6	46,9	54,8	2,20
40	40	2 1/2-16 UN	69,0	28,6	28,9	50,8	58,7	2,20
61	61	1 1/2-18 UNEF	42,0	22,1	22,6	27,0	33,7	1,75

<b>DRAWN</b>	K.WINCZURA	DATE	23/06/2015	 3RD ANGLE PROJECTION NOT TO SCALE UNLESS OTHERWISE SPECIFIED ALL DIMENSIONS IN MILLIMETRES <b>GENERAL TOL</b> LINEAR +/-0,25MM ANGULAR +/- 1°
<b>CHECKED</b>		DATE	23/06/2015	
<b>APPROVED</b>	K.SHEPPARD	DATE	01/07/2015	
<b>APPROVED</b>	H.SMITH	DATE	06/10/2015	

**TITLE:**  
HEAT SHRINK BOOT BACKSHELL (CODE 54)

**ASSY USED ON:**  
MIL-DTL-81703 SERIES III / MIL-DTL-5015G / MIL-DTL-26482  
SERIES II / MIL-DTL-83723 SERIES I & III



REVISIONS			
LTR	DESCRIPTION	DATE	APPROVED
B1	REVISED PER ECO-12-011624	06/21/12	K.YEE
C	REVISED PER ECO-15-014373	06/10/2015	H.SMITH

TE CAGE CODE: 06090  
POLAMCO/TE CAGE CODE: U5792

TE CONNECTIVITY - POLAMCO LTD RESERVES THE RIGHT TO AMEND THIS DRAWING AND THE INFORMATION SET FORTH HEREON AT ANY TIME. USERS SHOULD INDEPENDENTLY EVALUATE THE SUITABILITY OF THE PRODUCT FOR THEIR APPLICATION.		DRAWING NO: <b>202M0XX</b>	DRAWING REV: <b>C</b>	SHT <b>2</b>
--	--	-------------------------------	--------------------------	-----------------