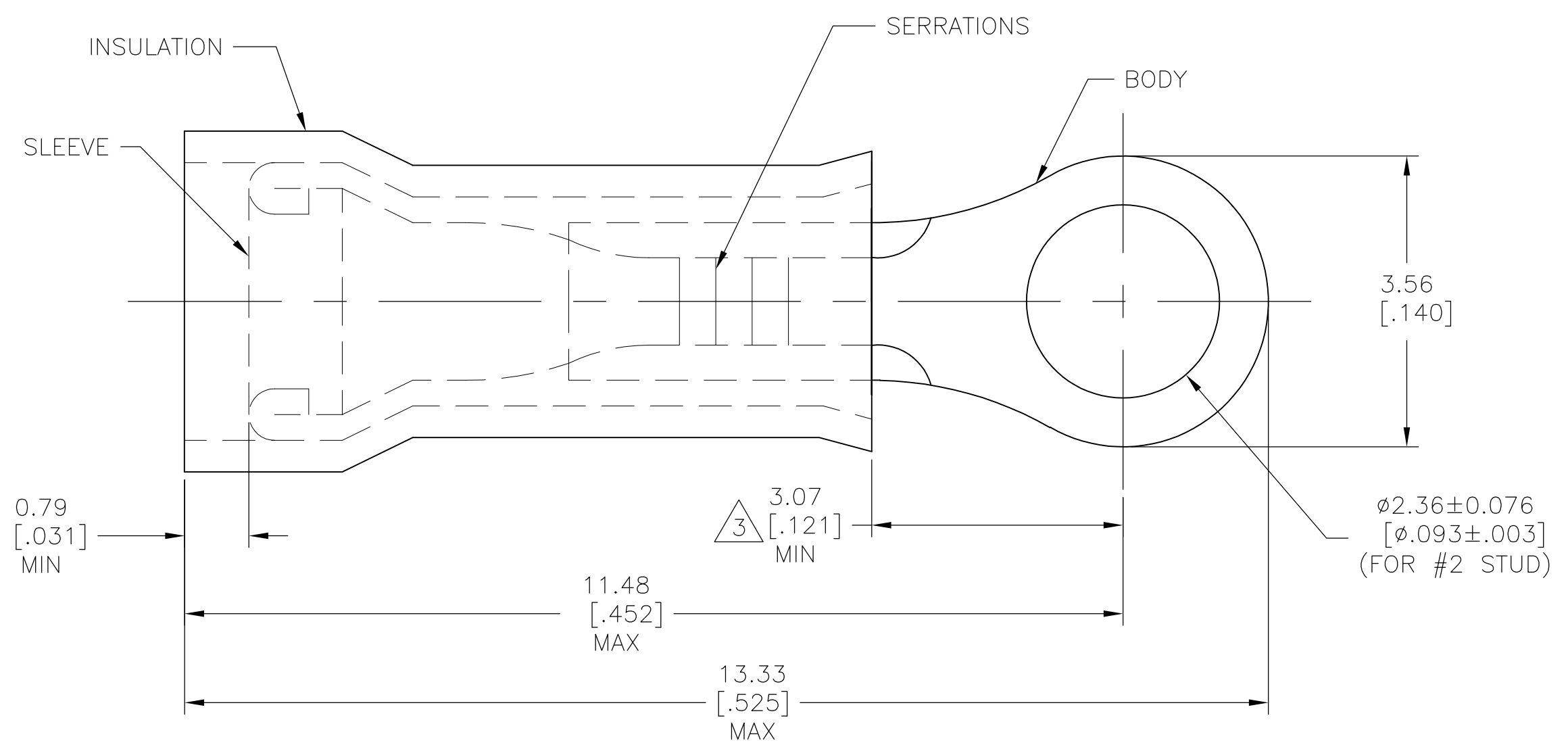


THIS DRAWING IS UNPUBLISHED. RELEASED FOR PUBLICATION
 © COPYRIGHT - By - ALL RIGHTS RESERVED.

LOC	DIST	REVISIONS					
G	14	P	LTR	DESCRIPTION	DATE	DWN	APVD
		H2		REVISED PER ECO-11-004820	11MAR11	RK	HMR



100	LOOSE PIECE, BOX	BODY & SLEEVE: COPPER ASTM-B152 TIN PL ASTM-B545	8-323912-1
4000	323912 ON TAPE		2-323912-1
1	WIRE TERMINAL	INSULATION: NYLON ASTM-D4066 COLOR: YELLOW	323912
QTY	DESCRIPTION	MATERIAL & FINISH	PART NO

- 1 FOR 1.27[.050] TO 2.08[.082] WIRE INSULATION DIA
- 2 TONGUE MATERIAL THK 0.46±0.05[.018±.002]

3 APPLIES FROM EDGE OF METAL BARREL TO CENTERLINE OF STUD HOLE.

THIS DRAWING IS A CONTROLLED DOCUMENT.		DWN RAGHAVENDRA 18MAR10	STE TE Connectivity			
DIMENSIONS: mm [INCHES]		CHK JEFF RUTH 18MAR10				
TOLERANCES UNLESS OTHERWISE SPECIFIED:		APVD TOM MICHIELUTTI 18MAR10	NAME			
0 PLC ± - 1 PLC ± - 2 PLC ± - 3 PLC ± 0.20[.008] 4 PLC ± - ANGLES ± 0° 30'		PRODUCT SPEC	WIRE TERMINAL PIDG - RING TONGUE WIRE SIZE: 26-22			
MATERIAL SEE TABLE		APPLICATION SPEC	SIZE	CAGE CODE	DRAWING NO	RESTRICTED TO
FINISH SEE TABLE		WEIGHT -	A3	00779	C-323912	-
CUSTOMER DRAWING			SCALE 16:1	SHEET 1 OF 1	REV H2	