

THIS DRAWING CONTAINS INFORMATION THAT IS PROPRIETARY TO MOLEX ELECTRONIC TECHNOLOGIES, LLC AND SHOULD NOT BE USED WITHOUT WRITTEN PERMISSION

DIMENSION UNITS		SCALE		CURRENT REV DESC: MIGRATED TO ECTR			
MM		1:1		<p><b>molex</b></p> <p>HOUSING, PLUG 2.13 DIA. SERIES</p> <p>PRODUCT CUSTOMER DRAWING</p>			
GENERAL TOLERANCES (UNLESS SPECIFIED)							
	MM	INCH					
4 PLACES	±		±				
3 PLACES	±		± 0.1				
2 PLACES	± 0.25		± 0.14				
1 PLACE	± 0.36		±				
0 PLACES	±		±				
ANGULAR TOL		± °		INITIAL REVISION:			
DRAFT WHERE APPLICABLE MUST REMAIN WITHIN DIMENSIONS		THIRD ANGLE PROJECTION		DRAWING		SERIES	
		A2-SIZE		42021		42021	
DOCUMENT NUMBER		CUSTOMER		DOC TYPE		DOC PART	
420210000		GENERAL MARKET		PSD		000	
MATERIAL NUMBER		CUSTOMER		REVISION		SHEET NUMBER	
SEE TABLE OF SHEET 2				A		1 OF 2	

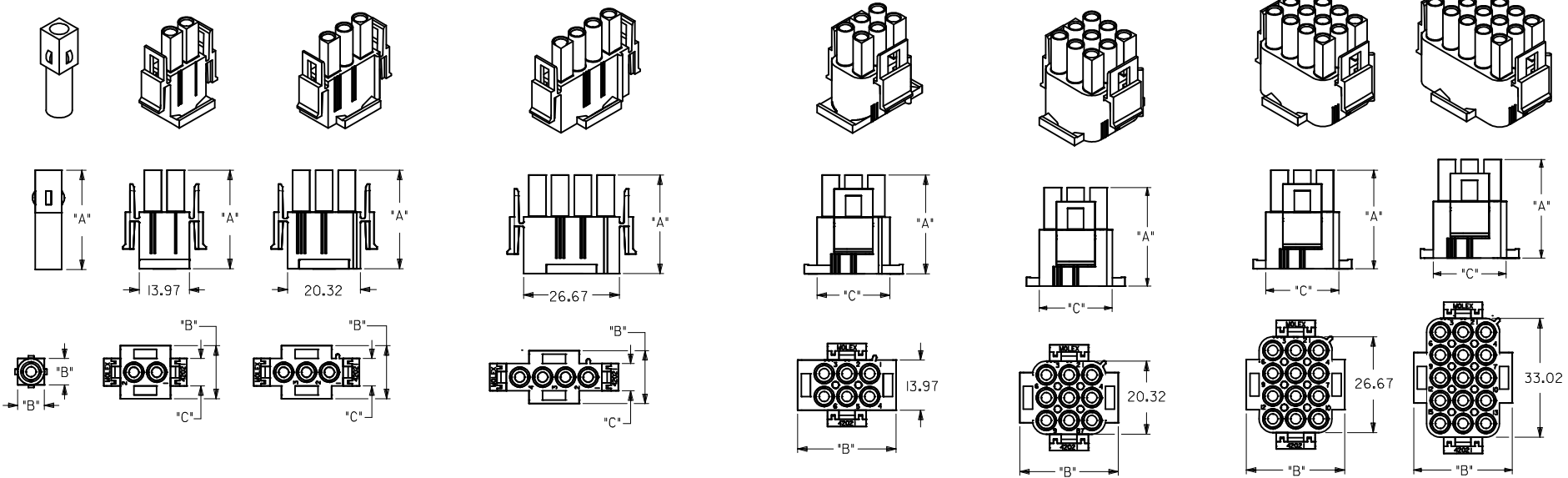
PART NO.	CIRCUIT SIZE	MATERIAL (SEE NOTE 1)	DIM "A"	DIM "B"	DIM "C"
050-84-1010	1	A	27.69	7.37	--
050-84-1015	1	C			
050-84-1020	2	A	27.61	14.73	7.62
050-84-1025	2	C			
050-84-1030	3	A	27.61	14.73	7.62
050-84-1035	3	C			
050-84-1040	4	A	27.61	14.73	7.62
050-84-1045	4	C			
050-84-1060	6	A	27.61	27.43	20.32
050-84-1065	6	C			
050-84-1090	9	A	27.61	27.43	20.32
050-84-1095	9	C			
050-84-1120	12	A	27.61	27.43	20.32
050-84-1125	12	C			
050-84-1150	15	A	27.61	27.43	20.32
050-84-1155	15	C			
366480001	1	D	27.43	7.37	--
366480002	2	D		14.73	7.62
366480003	3	D			
366480004	4	D			
366480005	6	D	27.43	27.43	20.32
366480006	9	D			
366480007	12	D			
366480008	15	D			

**NOTES:**

- 1) MATERIAL CODES:  
 "A"= NYLON TYPE 6/6, 94V-2  
 COLOR: NATURAL (WHITE/TRANSLUCENT)  
 "C"= NYLON TYPE 6/6, 94V-0  
 COLOR: NATURAL (WHITE)  
 "D"= NYLON 94V-2  
 COLOR: BLACK (ZYTEL 101F)
- 2) UNLESS OTHERWISE INDICATED, DIMENSIONS ARE FOR REFERENCE ONLY.
- 3) PLUG HOUSINGS MATE WITH:  
 -CAP HOUSINGS, 2.13 DIA. SERIES: (42022-\*\*\*\*)  
 -HEADER ASSEMBLY HOUSINGS,  
 2.13 DIA. SERIES: (A-42002-\*\*\*\*)
- 4) HOUSINGS DESIGNED TO BE USED WITH TERMINALS:  
 -PINS, 2.13 DIA. SERIES: (42023-\*\*\*\*)  
 -SOCKETS, 2.13 DIA. SERIES: (42024-\*\*\*\*)
- 5) CONTACTS ARE ON 6.35 GRID CENTERLINE SPACING.
- 6) PRODUCT SPECIFICATION PS-42022-0001 APPLIES.
- 7) FOR GLOW WIRE COMPATIBLE PART NUMBERS REFER DOCUMENT NO SD-36643-009.

THIS DRAWING CONTAINS INFORMATION THAT IS PROPRIETARY TO MOLEX ELECTRONIC TECHNOLOGIES, LLC AND SHOULD NOT BE USED WITHOUT WRITTEN PERMISSION									
DIMENSION UNITS		SCALE		CURRENT REV DESC: MIGRATED TO ECTR				<b>molex</b>	
MM		1:1							
GENERAL TOLERANCES (UNLESS SPECIFIED)				EC NO: 178202				HOUSING, PLUG 2.13 DIA. SERIES	
				DRWN: RLALSANGI 2018/02/26					
4 PLACES ±				CHK'D: NCSR 2018/07/12				PRODUCT CUSTOMER DRAWING	
3 PLACES ±				APPR: NCSR 2018/07/12					
2 PLACES ± 0.25				INITIAL REVISION:				DOCUMENT NUMBER	
1 PLACE ± 0.36				DRWN: RK 1987/11/16					
0 PLACES ±				APPR: GWF 1987/11/16				420210000	
ANGULAR TOL ± °				THIRD ANGLE PROJECTION		DRAWING		DOC TYPE	
DRAFT WHERE APPLICABLE MUST REMAIN WITHIN DIMENSIONS						A2-SIZE		PSD	
				SERIES		MATERIAL NUMBER		DOC PART	
				42021		SEE TABLE OF SHEET 2		000	
						CUSTOMER		REVISION	
						GENERAL MARKET		A	
						SHEET NUMBER			
						2 OF 2			

13 12 11 10 9 8 7 6 5 4 3 2 1



<b>VIEWS UPDATED</b> EC NO: 12018-0003 DRWN:GES CHKD:SNAGARAVENKA APPR:KPRASAD 2017/08/03 2017/08/03 2017/09/07	QUALITY SYMBOLS ∇=0 ∇=0 ∇=0	GENERAL TOLERANCES (UNLESS SPECIFIED)		DIMENSION STYLE <b>MM ONLY</b>	SCALE <b>1:1</b>	DESIGN UNITS <b>METRIC</b>	THIRD ANGLE PROJECTION	
		4 PLACES ± --- ± ---	mm INCH	DRAWN BY RK	DATE 87/11/16	TITLE <b>HOUSING, PLUG                  2.13 DIA. SERIES</b>		
		3 PLACES ± --- ± .010		CHECKED BY GWF	DATE 87/11/16	<b>molex</b>		
		2 PLACES ± 0.25 ± 0.14		APPROVED BY GWF	DATE 87/11/16			
1 PLACE ± 0.36 ± ---		ANGULAR ± ---°		MATERIAL NO. <b>SEE SHEET 2</b>	DOCUMENT NO. <b>SD-42021-**</b>	SHEET NO. 1 OF 2		
0 PLACE ± ±		DRAFT WHERE APPLICABLE MUST REMAIN WITHIN DIMENSIONS		THIS DRAWING CONTAINS INFORMATION THAT IS PROPRIETARY TO MOLEX INCORPORATED AND SHOULD NOT BE USED WITHOUT WRITTEN PERMISSION				

12 11 10 9 8 7 6 5 4 3 2 1

PART NO.	CIRCUIT SIZE	MATERIAL (SEE NOTE 1)	DIM "A"	DIM "B"	DIM "C"
050-84-1010	1	A	27.69	7.37	----
050-84-1015	1	C			
050-84-1020	2	A	27.61	14.73	7.62
050-84-1025	2	C			
050-84-1030	3	A	27.61	14.73	7.62
050-84-1035	3	C			
050-84-1040	4	A	27.61	14.73	7.62
050-84-1045	4	C			
050-84-1060	6	A	27.61	27.43	20.32
050-84-1065	6	C			
050-84-1090	9	A	27.61	27.43	20.32
050-84-1095	9	C			
050-84-1120	12	A	27.61	27.43	20.32
050-84-1125	12	C			
050-84-1150	15	A	27.61	27.43	20.32
050-84-1155	15	C			
366480001	1	D	27.43	7.37	----
366480002	2	D		14.73	7.62
366480003	3	D	27.43		
366480004	4	D			
366480005	6	D			
366480006	9	D			
366480007	12	D			
366480008	15	D			

**NOTES:**

- 1) MATERIAL CODES:  
 \*A\*= NYLON TYPE 6/6, 94V-2  
 COLOR: NATURAL (WHITE/TRANSLUCENT)  
 \*C\*= NYLON TYPE 6/6, 94V-0  
 COLOR: NATURAL (WHITE)  
 \*D\*= NYLON, 94V-2  
 COLOR: BLACK (ZYTEL 101F)
- 2) UNLESS OTHERWISE INDICATED, DIMENSIONS ARE FOR REFERENCE ONLY.
- 3) PLUG HOUSINGS MATE WITH :  
 - CAP HOUSINGS, 2.13 DIA. SERIES: (42022-\*\*)
   
 - HEADER ASSEMBLY HOUSINGS,  
 2.13 DIA. SERIES: (A-42002-\*\*\*\*)
- 4) HOUSINGS DESIGNED TO BE USED WITH TERMINALS :  
 - PINS, 2.13 DIA. SERIES: (42023-\*\*\*\*)  
 - SOCKETS, 2.13 DIA. SERIES: (42024-\*\*\*\*)
- 5) CONTACTS ARE ON 6.35 GRID CENTERLINE SPACING.
- 6) PRODUCT SPECIFICATION PS-42022-0001 APPLIES.
- 7) FOR GLOW EIRE COMPATIBLE PART NUMBERS REFER DOCUMENT NO SD-36643-009.

SEE SHEET 1 EC NO: 12018-0003 DRWN:GES 2017/08/03 CHKD:SNAGARVENK42017/08/03 APPR:KPRASAD 2017/09/07	DESCRIPTION REV	QUALITY SYMBOLS	GENERAL TOLERANCES (UNLESS SPECIFIED)		DIMENSION STYLE <b>MM ONLY</b>	SCALE <b>1:1</b>	DESIGN UNITS <b>METRIC</b>	THIRD ANGLE PROJECTION
		▽=0	mm	INCH	DRAWN BY RK	DATE 87/11/16	TITLE HOUSING, PLUG 2.13 DIA. SERIES	
		▽=0	4 PLACES ± --- ± ---	± .010	CHECKED BY GWF	DATE 87/11/16		
		▽=0	3 PLACES ± .25 ± 0.14		APPROVED BY GWF	DATE 87/11/16		
		1 PLACE ± 0.36 ± ---						
		0 PLACE ± ±						
		ANGULAR ± ---°						
		DRAFT WHERE APPLICABLE MUST REMAIN WITHIN DIMENSIONS						
				SIZE A2	THIS DRAWING CONTAINS INFORMATION THAT IS PROPRIETARY TO MOLEX INCORPORATED AND SHOULD NOT BE USED WITHOUT WRITTEN PERMISSION			