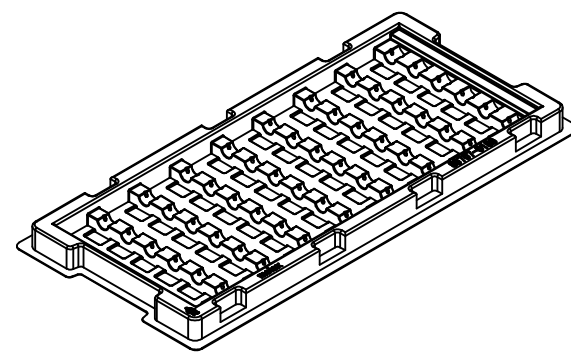
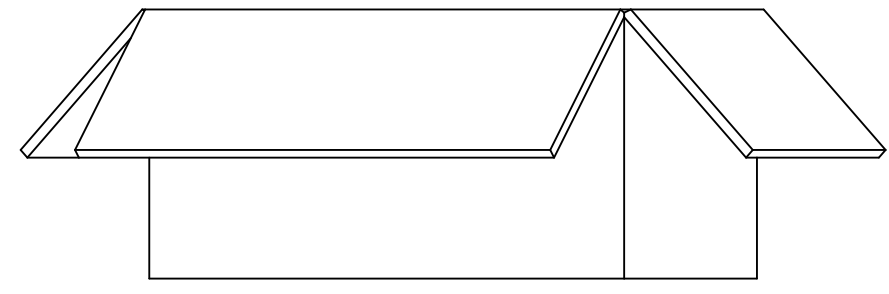


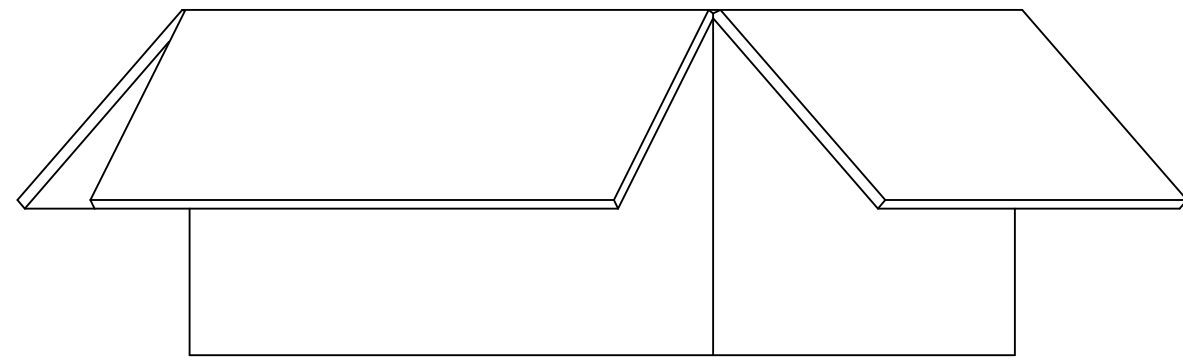
P/N 73171-2360



48 SETS PER TRAY
TRAY P/N 89707-0189



336 SETS PER INNER
CARTON BOX
P/N 96707-0001



672 SETS PER OUTER
CARTON BOX
P/N 96708-0005

CHG: NEW RELEASED
EC NO: URF2013-0065
DRWN: CWE102 2012/08/01
CHKD:
APPR: MHUANG 2012/08/21

REV	DESCRIPTION
A	

QUALITY SYMBOLS		
	=0	
	=0	
	=0	
GENERAL TOLERANCES (UNLESS SPECIFIED)		
	mm	INCH
4 PLACES	± .005	± .0002
3 PLACES	± .005	± .0002
2 PLACES	± .005	± .0002
1 PLACE	± .005	± .0002
0 PLACE	± .005	± .0002
ANGULAR ± 2 °		
DRAFT WHERE APPLICABLE MUST REMAIN WITHIN DIMENSIONS		

DIMENSION STYLE	
MM/IN	
DRAWN BY	DATE
CWE102	2012/08/01
CHECKED BY	DATE
ALEX	2012/08/01
APPROVED BY	DATE
MHUANG	2012/08/21
MATERIAL NO.	DOCUMENT NO.
-----	SD-73171-236-PKG

SCALE	DESIGN UNITS	THIRD ANGLE PROJECTION
	METRIC	
TITLE		
PACKAGING FOR 73171-2360		
SHEET NO.		1 OF 1
THIS DRAWING CONTAINS INFORMATION THAT IS PROPRIETARY TO MOLEX INCORPORATED AND SHOULD NOT BE USED WITHOUT WRITTEN PERMISSION		