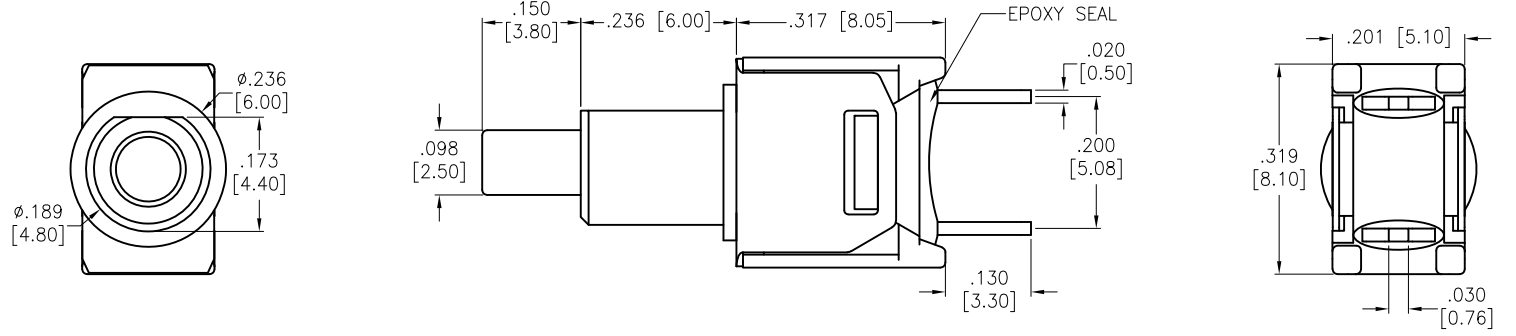


Rev	AWO #	Description	Date	Appr
-		RELEASED	3/9/21	
A		UPDATE SPEC.	6/21/21	WX/RC

APPROVED: _____
 DATE: _____ TITLE: _____



SPECIFICATIONS:
 Material:
 Movable Contact: Copper Alloy, Silver Plated
 Terminal: Copper Alloy, Silver Plated
 Electrical:
 Rating: 1 Amps with resistive load @ 125VAC or 28VDC
 Contact resistance: 20 mΩ max
 Insulation resistance: 1,000 Mohms min
 Dielectric withstanding voltage: 1,500V RMS @Sea level
 Temperature Rating:
 Operating temperature: -30°C to +85°C
 Environmental:
 Lead free, RoHS compliant



UNLESS OTHERWISE SPECIFIED ALL DIMENSIONS ARE INCHES [MM] TOLERANCES: EXCEPT AS NOTED	
INCHES	HOLES
.X ± .10	Ø.X ± .10
.XX ± .020	Ø.XX ± .015
.XXX ± .015	Ø.XXX ± .010
APPROVALS	
DRAWN	DATE
WX	3/9/21
CHECKED	DATE
AC	3/9/21
APPROVED	

ADAM TECH 909 Rahway Avenue,
 Union, NJ 07083
 Phone: 908-687-5000
 Fax: 908-687-5710

TITLE: SUB-MINIATURE PUSHBUTTON SWITCH,
 OFF-MOMENTARY, SPST, SILVER PLATED, PCB TYPE

SIZE	PART NO.	REV.
X	SW-PB9-BB00BQE-5	A

REF: S00198T SCALE: NTS SHEET 1 OF 1

D

C

B

A

6

5

4

3

2

1

6

5

4

3

2

1