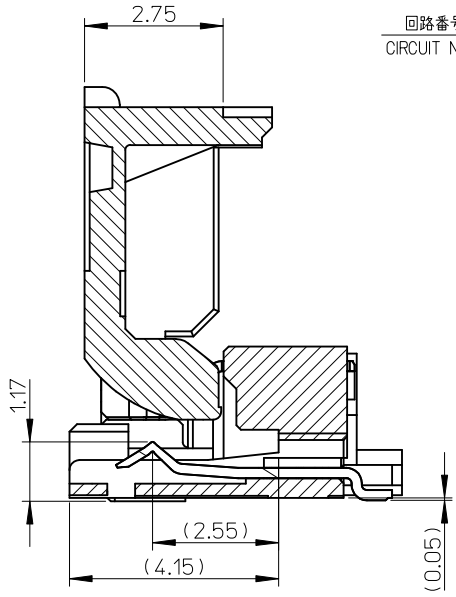
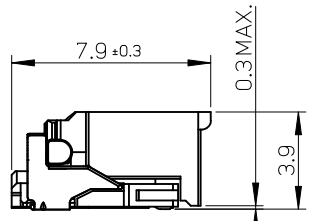
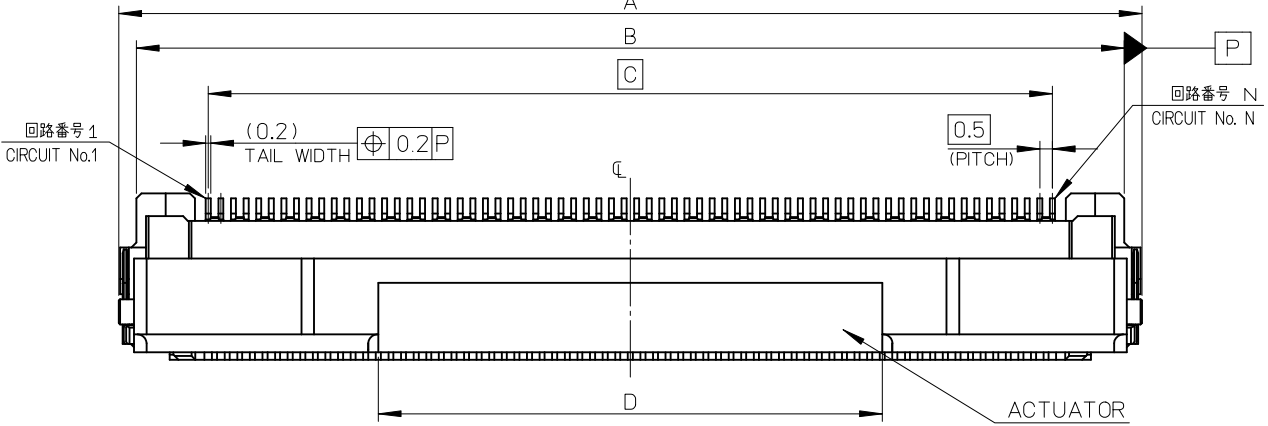


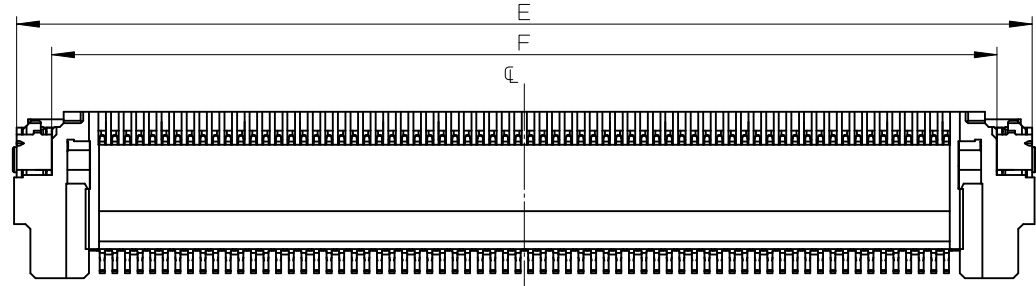
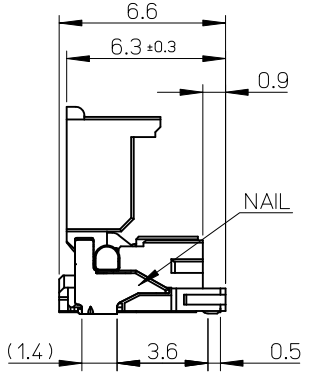
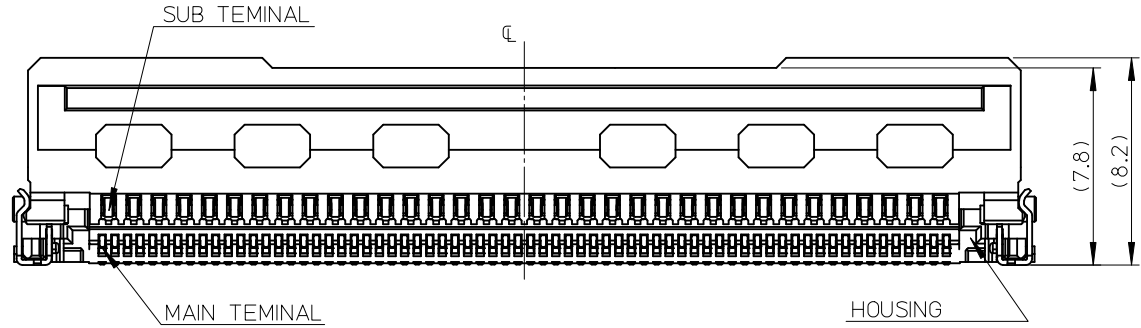
10 9 8 7 6 5 4 3 2 1



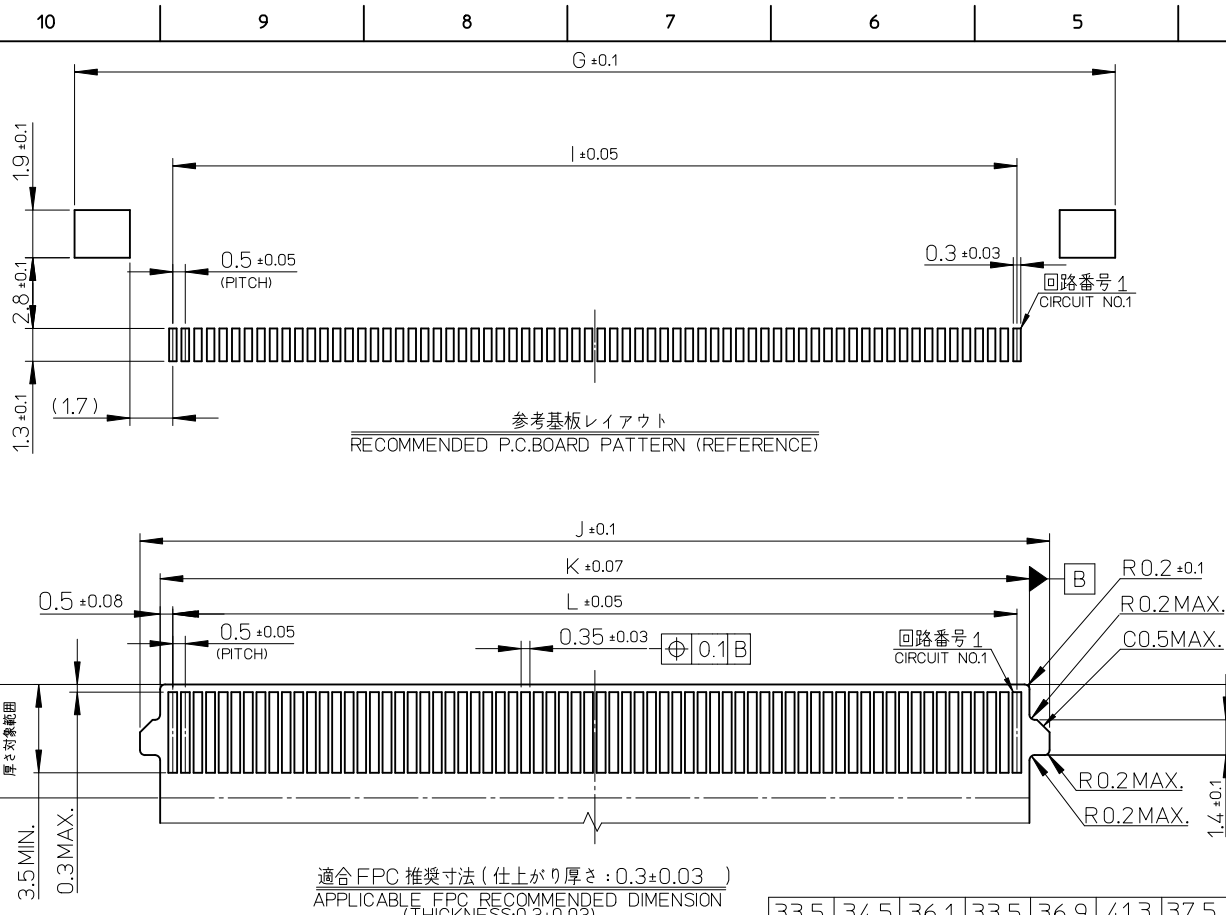
SECTION X-X
Scale 10:1



LOCK POSITION



REVISED EC NO: J2010-1375 DRWN:NAITO 2009/12/25 CHKD:WATSUURA 2009/12/25 APPR:KMORIKAWA 2009/12/25 B	DESCRIPTION REV	GENERAL TOLERANCES (UNLESS SPECIFIED)		DIMENSION STYLE MM ONLY	SCALE 5:1	DESIGN UNITS METRIC	THIRD ANGLE PROJECTION	
		10 UNDER	±0.2	DRAWN BY YKOBAYASHI02	DATE 2008/10/21	TITLE 0.5 FPC CONN. E/O WITH DUST COVER GANG ASSY TYPE		
		10 OVER 30 UNDER	±0.25	CHECKED BY KMORIKAWA	DATE 2008/10/21	MOLEX INCORPORATED		
		30 OVER	±0.3	APPROVED BY HHRATA	DATE 2008/10/21	DOCUMENT NO. SD-502611-003		
		ANGULAR ±1 °		MATERIAL NO. SEE SHEET 2		SHEET NO. 1 OF 2		
DRAFT WHERE APPLICABLE MUST REMAIN WITHIN DIMENSIONS		THIS DRAWING CONTAINS INFORMATION THAT IS PROPRIETARY TO MOLEX INCORPORATED AND SHOULD NOT BE USED WITHOUT WRITTEN PERMISSION A3						

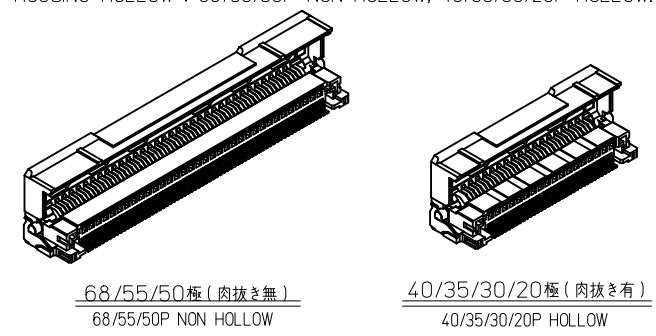


適合FPC推奨寸法 (仕上がり厚さ: 0.3±0.03)
 APPLICABLE FPC RECOMMENDED DIMENSION
 (THICKNESS: 0.3±0.03)

PART	MATERIAL
ハウジング HOUSING	ガラス入り耐熱樹脂、UL94-V0 GLASS FILLED HEAT RESISTANCE POLYMER, UL94-V0
アクチュエータ ACTUATOR	ガラス入り耐熱樹脂、UL94-V0 GLASS FILLED HEAT RESISTANCE POLYMER, UL94-V0
メインターミナル MAIN TERMINAL	銅合金、金めっき、下地ニッケルめっき COPPER ALLOY, GOLD(AU) PLATING, NICKEL UNDER PLATING
サブターミナル SUB TERMINAL	銅合金、錫めっき COPPER ALLOY, TIN PLATING
ネイル NAIL	銅合金、錫めっき COPPER ALLOY, TIN PLATING

NOTES

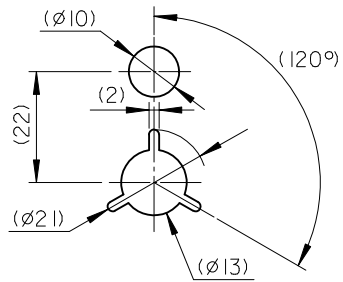
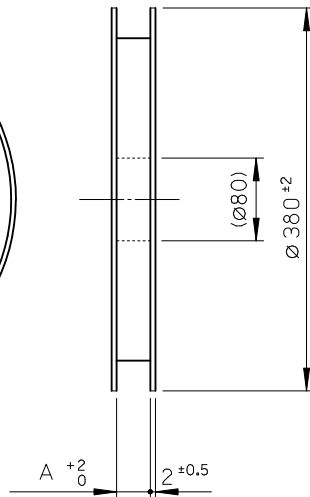
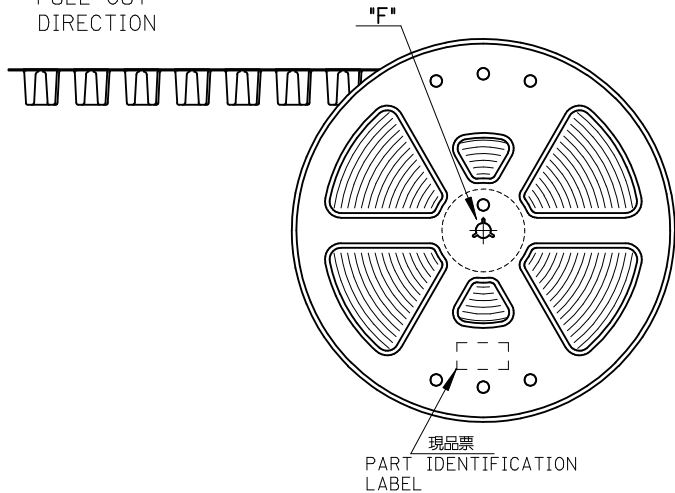
- 適用電線 (FPC) の厚さは0.3mm
 APPLICABLE CABLE (FPC) TO BE 0.3mm IN THICKNESS.
- アクチュエータの穴位置、数は任意のこと。
 TO BE CHANGED POSITIONS AND QUANTITY OF ACTUATOR HOLES.
- ELV及びRoHS適合品
 ELV AND RoHS COMPLIANT
- ハウジング天面肉抜きの有無: 68/55/50極: 無 40/35/30/20極: 有
 HOUSING HOLLOW: 68/55/50P NON HOLLOW, 40/35/30/20P HOLLOW.



33.5	34.5	36.1	33.5	36.9	41.3	37.5	40.3	20	33.5	39.2	40.6	502611-6821	502611-6829	68
27.0	28.0	29.6	27.0	30.4	34.8	31.0	33.8	20	27.0	32.7	34.1	502611-5521	502611-5529	55
19.5	20.5	22.1	19.5	22.9	27.3	23.5	26.3	10	19.5	25.2	26.6	502611-4021	502611-4029	40
17.0	18.0	19.6	17.0	20.4	24.8	21.0	23.8	10	17.0	22.7	24.1	502611-3521	502611-3529	35
14.5	15.5	17.1	14.5	17.9	22.3	18.5	21.3	10	14.5	20.2	21.6	502611-3021	502611-3029	30
9.5	10.5	12.1	9.5	12.9	17.3	13.5	16.3	5	9.5	15.2	16.6	502611-2021	502611-2029	20
L	K	J	I	H	G	F	E	D	C	B	A	EMBOSSED TAPE		
												ORDER NO. オーダー番号	MATERIAL NO.	CIRCUITS

SEE SHEET 1 EC NO.: J2010-1375 DRWN: NAITO 2009/12/25 CHKD: MATSUURA 2009/12/25 APP: KMORIKAWA 2009/12/25	GENERAL TOLERANCES (UNLESS SPECIFIED)				DIMENSION STYLE MM ONLY		SCALE --	DESIGN UNITS METRIC		THIRD ANGLE PROJECTION	
	10 UNDER		±0.2		DRAWN BY YKOBAYASHI	DATE 02 2008/10/21	TITLE 0.5 FPC CONN. E/O WITH DUST COVER GANG ASSY TYPE				
	10 OVER 30 UNDER		±0.25		CHECKED BY KMORIKAWA	DATE 2008/10/21	MOLEX INCORPORATED DOCUMENT NO. SD-502611-003 SHEET NO. 2 OF 2				
	30 OVER		±0.3		APPROVED BY HHRATA	DATE 2008/10/21					
ANGULAR ±1 °				DRAFT WHERE APPLICABLE MUST REMAIN WITHIN DIMENSIONS		MATERIAL NO. SEE CHART					
THIS DRAWING CONTAINS INFORMATION THAT IS PROPRIETARY TO MOLEX INCORPORATED AND SHOULD NOT BE USED WITHOUT WRITTEN PERMISSION											

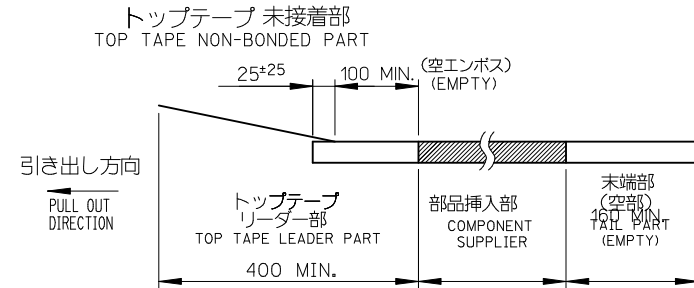
引き出し方向
PULL OUT
DIRECTION



DETAIL "F"

NOTES

1. 梱包数量：800個/リール
NUMBER OF CONNECTORS : 800PCS/REEL
2. リードテープ長さ
LEAD TAPE LENGTH



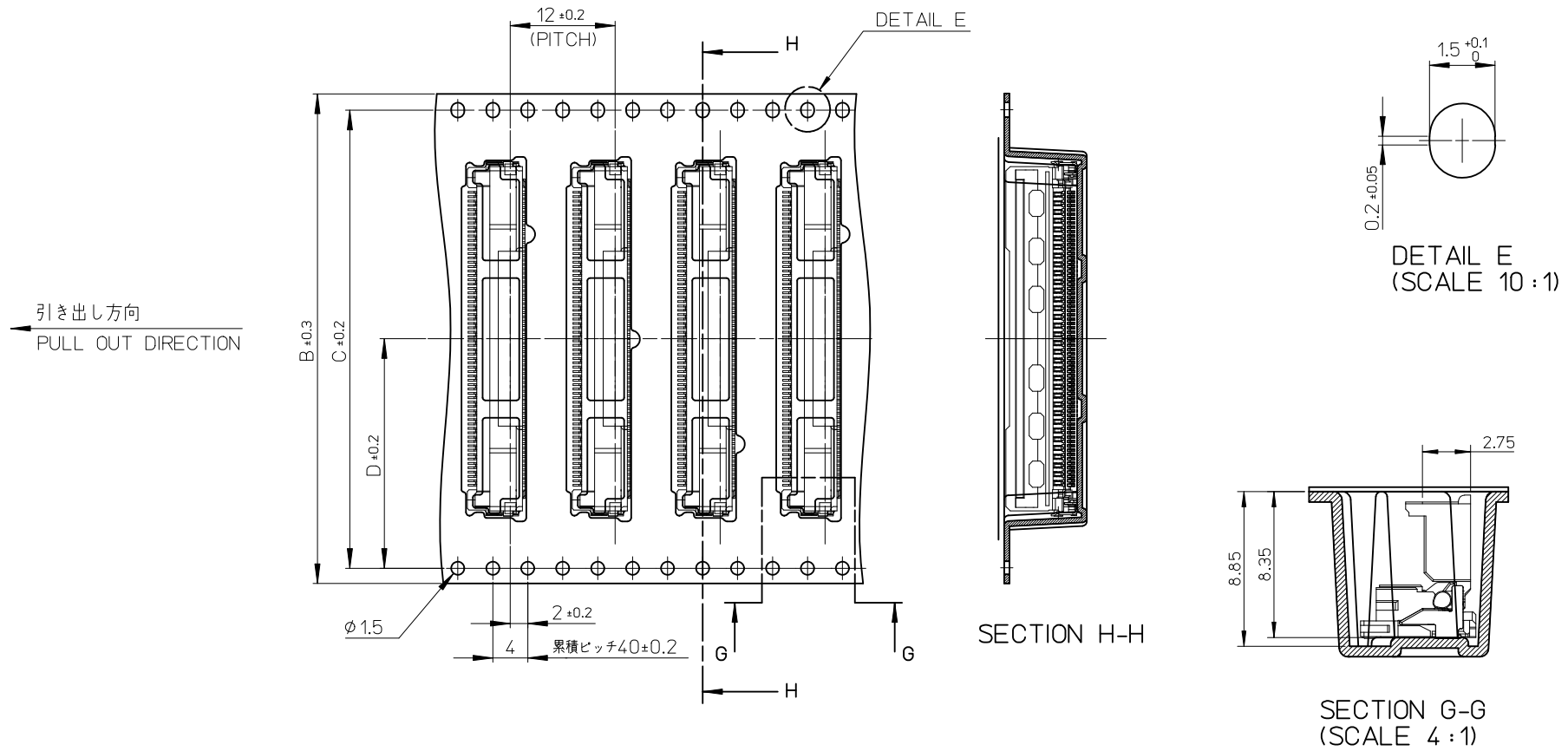
3. 材料 キャリアテープ：ポリプロピレン (PP)
トップテープ：PET、PE、PEF
リール：ポリスチレン (PS) <リサイクル材を含む>

MATERIAL CARRIER TAPE ; POLYPROPYLENE
TOP TAPE ; PET,PE,PEF
REEL ; POLYSTYREN(PS) <RECYCLE MATERIAL CONTAINED>

4. 欠損無きこと。
THERE MUST NOT BE LOSS.
5. ELV 及びRoHS適合品
ELV AND RoHS COMPLIANT

26.2	52.4	56	57.4	502611-6829	502611-6821	68
26.2	52.4	56	57.4	502611-5529	502611-5521	55
20.2	40.4	44	45.4	502611-4029	502611-4021	40
20.2	40.4	44	45.4	502611-3529	502611-3521	35
20.2	40.4	44	45.4	502611-3029	502611-3021	30
20.2	40.4	44	45.4	502611-2029	502611-2021	20
D	C	B	A	製品番号 (コネクタ) CONNECTOR NO.	製品番号 (エンボス梱包) MATERIAL NO.	極数 CIRCUIT

REVISED EC NO: J2010-1375 DRWN:NAITO 2009/12/25 CHKD:WATSUJURA 2009/12/25 APPR:KMORIKAWA 2009/12/25	DESCRIPTION	GENERAL TOLERANCES (UNLESS SPECIFIED)		DIMENSION STYLE MM ONLY		SCALE 1:1	DESIGN UNITS METRIC	THIRD ANGLE PROJECTION	
		10 UNDER	±0.2	DRAWN BY YKOBAYASHI	DATE 02 2008/10/21	TITLE 0.5 FPC CONN. E/O WITH DUST COVER EMBSTP PKG			
		10 OVER 30 UNDER	±0.25	CHECKED BY KMORIKAWA	DATE 2008/10/21	MOLEX INCORPORATED			
		30 OVER	±0.3	APPROVED BY HHRATA	DATE 2008/10/21	MATERIAL NO. SEE CHART		DOCUMENT NO. SD-502611-004	SHEET NO. 1 OF 2
REV		ANGULAR ±1 ° DRAFT WHERE APPLICABLE MUST REMAIN WITHIN DIMENSIONS		THIS DRAWING CONTAINS INFORMATION THAT IS PROPRIETARY TO MOLEX INCORPORATED AND SHOULD NOT BE USED WITHOUT WRITTEN PERMISSION					



SECTION H-H

SECTION G-G
(SCALE 4 : 1)

DETAIL E
(SCALE 10 : 1)

SEE SHEET 1 EC NO.: J2010-1375 DRWN: NAITO 2009/12/25 CHK'D: MATSUURA 2009/12/25 APPR: KMORIKAWA 2009/12/25	GENERAL TOLERANCES (UNLESS SPECIFIED)		DIMENSION STYLE MM ONLY	SCALE 2:1	DESIGN UNITS METRIC	THIRD ANGLE PROJECTION
	10 UNDER	± 0.2	DRAWN BY YKOBAYASHI 02	DATE 2008/10/21	TITLE 0.5 FPC CONN. E/O WITH DUST COVER EMBSTP PKG	
	10 OVER 30 UNDER	± 0.25	CHECKED BY KMORIKAWA	DATE 2008/10/21	MOLEX INCORPORATED	
	30 OVER	± 0.3	APPROVED BY HHRATA	DATE 2008/10/21		
ANGULAR	± 1 °	MATERIAL NO. SEE SHEET 1		DOCUMENT NO. SD-502611-004	SHEET NO. 2 OF 2	
DRAFT WHERE APPLICABLE MUST REMAIN WITHIN DIMENSIONS		SIZE A3	THIS DRAWING CONTAINS INFORMATION THAT IS PROPRIETARY TO MOLEX INCORPORATED AND SHOULD NOT BE USED WITHOUT WRITTEN PERMISSION			