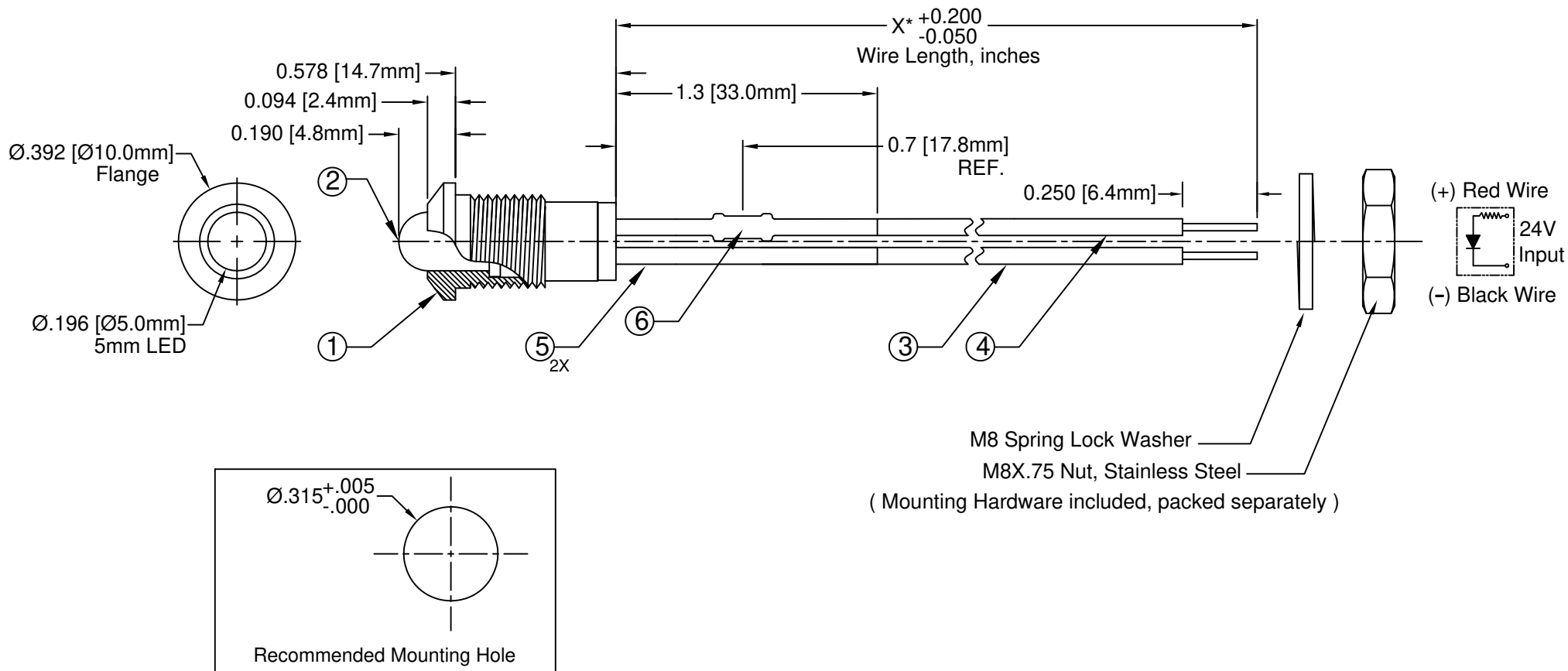


ITEM	Q'TY	PART NUMBER	PART DESCRIPTION
1	1	MPC5	Chrome Panel Mount Holder, 5mm
2	1	5XX-F	T1 3/4 (5mm) Flanged LED, P.2
3	1	BWS24-1007-BK	24AWG Wire Lead U.L. 1007, Black
4	1	BWS24-1007-RD	24AWG Wire Lead U.L. 1007, Red
5	2	BST200-BK	Shrink Tubing, Black, 1.3" Cut Length
6	1	RXXX-0.5	XXX Ohm $\pm 5\%$, 1/2 Watt Resistor, P.2

REV.	DESCRIPTION	DATE	APPROVED
A	Engineering Release	06/28/10	T. Y.
B	Engineering Update w/o Changes	08/14/16	J. C.



ABSOLUTE MAXIMUM RATINGS (Ta = 25°C)

OPERATING TEMPERATURE RANGE _____ -25°C ~ 85°C


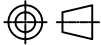
STORAGE TEMPERATURE _____ -30°C ~ 100°C

LEAD SOLDERING TEMPERATURE (1/16" FROM BODY) _____ 260°C for 5 Seconds

STANDARD TOLERANCE (UNLESS OTHERWISE SPECIFIED)		BIVAR®	
DECIMALS	ANGULAR	4 THOMAS, IRVINE, CA. 92618 TEL: (949) 951-8808 FAX: (949) 951-3974	
.X ± .1	X° ± 1°	TITLE: 5MM CHROME PANEL MOUNT ASSY, 24V	
.XX ± .02		PART NO: MPC5XX24VWX-ER	REVISION: B
.XXX ± .010		CAGE CODE : 32559	SHEET # 1 OF 2
DESIGNED: R. Paje	DATE: 06/28/10	CAD GENERATED DOCUMENT. DO NOT MEASURE DRAWING.	
CHECKED: T. Yin	DATE: 06/28/10		

REV.	DESCRIPTION	DATE	APPROVED
	SEE SHEET #1		

Assy P/N	Chip		Lens Appearance	Abs. Max Rating	Electro-Optical Data @ 20mA		Viewing Angle 2 θ ½ (Deg)	LED P/N	RESISTOR	
	Emitted Color	Peak Wave Length λp (nm)			If (mA)	Vf (V)				Iv (mcd)
						TYP				TYP
MPC5BWC24VWX-ER	BLUE	430	WATER CLEAR	25	24	30	25	5BWC-F	R1000-0.5	
MPC5BWD24VWX-ER	BLUE	430	DIFFUSED	25	24	15	40	5BWD-F	R1000-0.5	
MPC5BWT24VWX-ER	BLUE	430	TINTED	25	24	30	25	5BWT-F	R1000-0.5	
MPC5GC24VWX-ER	GREEN	568	WATER CLEAR	30	24	40	35	5GC-F	R1100-0.5	
MPC5GD24VWX-ER	GREEN	568	DIFFUSED	30	24	25	40	5GD-F	R1100-0.5	
MPC5GT24VWX-ER	GREEN	568	TINTED	30	24	40	35	5GT-F	R1100-0.5	
MPC5SGC24VWX-ER	SUPER GREEN	568	WATER CLEAR	30	24	60	35	5SGC-F	R1100-0.5	
MPC5SGD24VWX-ER	SUPER GREEN	568	DIFFUSED	30	24	50	40	5SGD-F	R1100-0.5	
MPC5SGT24VWX-ER	SUPER GREEN	568	TINTED	30	24	60	35	5SGT-F	R1100-0.5	
MPC5YC24VWX-ER	YELLOW	590	WATER CLEAR	30	24	40	35	5YC-F	R1100-0.5	
MPC5YD24VWX-ER	YELLOW	590	DIFFUSED	30	24	25	40	5YD-F	R1100-0.5	
MPC5YT24VWX-ER	YELLOW	590	TINTED	30	24	40	35	5YT-F	R1100-0.5	
MPC5AC24VWX-ER	AMBER	605	WATER CLEAR	30	24	40	35	5AC-F	R1100-0.5	
MPC5AD24VWX-ER	AMBER	605	DIFFUSED	30	24	25	40	5AD-F	R1100-0.5	
MPC5AT24VWX-ER	AMBER	605	TINTED	30	24	40	35	5AT-F	R1100-0.5	
MPC5HC24VWX-ER	HE RED	625	WATER CLEAR	30	24	50	35	5HC-F	R1100-0.5	
MPC5HD24VWX-ER	HE RED	625	DIFFUSED	30	24	40	40	5HD-F	R1100-0.5	
MPC5HT24VWX-ER	HE RED	625	TINTED	30	24	50	35	5HT-F	R1100-0.5	
MPC5RC24VWX-ER	RED	700	WATER CLEAR	20	24	2.5	35	5RC-F	R1100-0.5	
MPC5RD24VWX-ER	RED	700	DIFFUSED	20	24	2.0	40	5RD-F	R1100-0.5	
MPC5RT24VWX-ER	RED	700	TINTED	20	24	2.5	35	5RT-F	R1100-0.5	
MPC5SRC24VWX-ER	SUPER RED	645	WATER CLEAR	30	24	60	35	5SRC-F	R1100-0.5	
MPC5SRD24VWX-ER	SUPER RED	645	DIFFUSED	30	24	40	40	5SRD-F	R1100-0.5	
MPC5SRT24VWX-ER	SUPER RED	645	TINTED	30	24	60	35	5SRT-F	R1100-0.5	

STANDARD TOLERANCE (UNLESS OTHERWISE SPECIFIED) DECIMALS ANGULAR		 BIVAR [®] 4 THOMAS, IRVINE, CA. 92618 TEL: (949) 951-8808 FAX: (949) 951-3974	
			
DESIGNED: R. Paje	DATE: 06/28/10	PART NO: MPC5XX24VWX-ER	REVISION: B
CHECKED: T. Yin	DATE: 06/28/10	CAGE CODE : 32559	SHEET # 2 OF 2
CAD GENERATED DOCUMENT. DO NOT MEASURE DRAWING.			