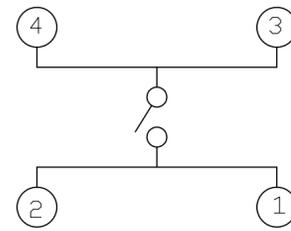
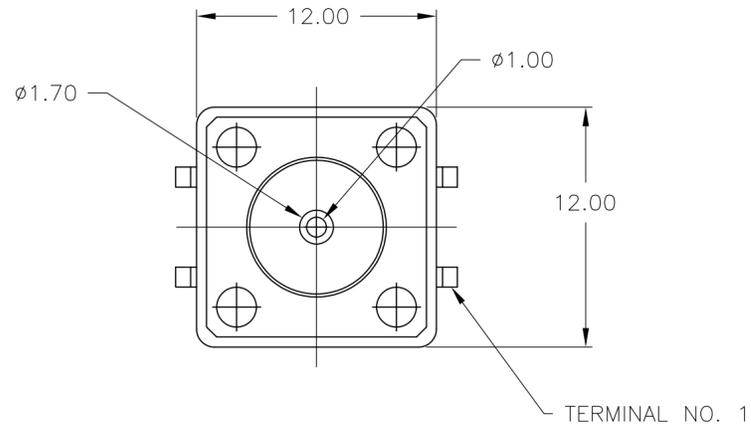


THIS DRAWING IS UNPUBLISHED. RELEASED FOR PUBLICATION  
 © COPYRIGHT - By - ALL RIGHTS RESERVED.

LOC	DIST	REVISIONS			
P	LTR	DESCRIPTION	DATE	DWN	APVD
AD	00	F2	REVISED PER ECO-11-004587	11MAR11	RK HMR



CIRCUIT DIAGRAM

SPECIFICATIONS:

MATERIALS

CASE: THERMOPLASTIC, UL94-HB, BLACK  
 COVER: THERMOPLASTIC  
 ACTUATOR: THERMOPLASTIC, UL94-HB, COLOR: SEE TABLE  
 MOVING CONTACT: COPPER ALLOY, SILVER CLAD  
 FIXED CONTACT: COPPER ALLOY, SILVER PLATED

ELECTRICAL

MAX CONTACT RATING: 50MILLIAMPS@24V DC  
 MIN CONTACT RATING: 10MICROAMPS@1V DC  
 INITIAL CONTACT RESISTANCE: 100 MILLIOHM MAX  
 INSULATION RESISTANCE: 100 MEGOHMS MIN @ 100VDC  
 DIELECTRIC STRENGTH: 500 VAC 50/60 Hz FOR 1 MINUTE  
 LIFE EXPECTANCY: UP TO 100,000 CYCLES

MECHANICAL

ACTUATION FORCE: DIM "A"  
 ACTUATION TRAVEL: 0.30±0.15

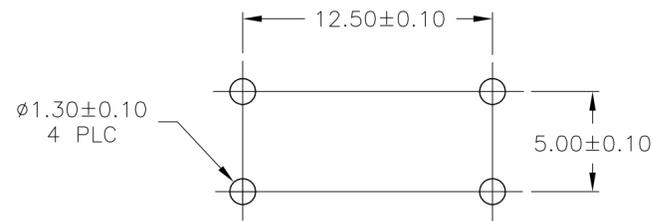
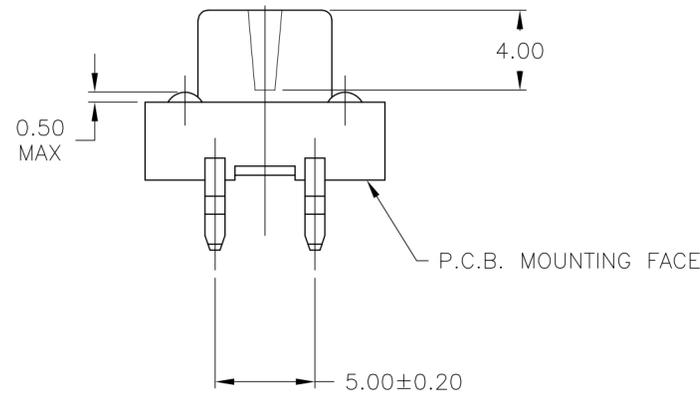
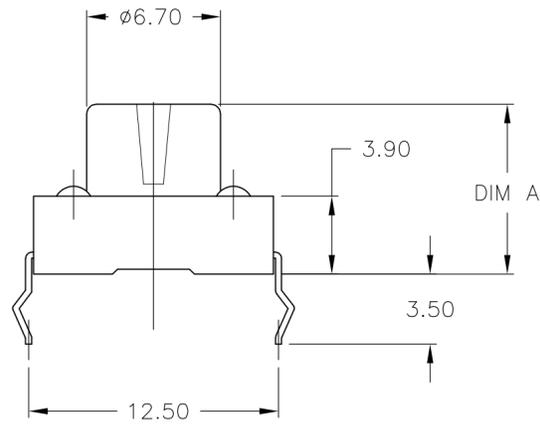
ENVIRONMENTAL

OPERATING TEMPERATURE: -35°C TO +85°C, 45% TO 85% RH  
 STORAGE TEMPERATURE: -35°C TO +85°C  
 RESISTANCE TO SOLDER HEAT PER 109-202, CONDITION B

SOLDERABILITY:

SPECIFICATION EIA-364-52, CLASS 1, CATEGORY 2

- ALL MATERIALS AND FINISHES SHALL COMPLY WITH EU DIRECTIVE 2002/95/EC OF 27JAN2003 ROHS



P.C.B. MOUNTING HOLE DIMENSION

	BLACK	7.50	160+/-50g	FSM101	1437565-3
OBSOLETE	RED	8.50	260+/-50g	FSM201A	1571140-1
	Actuator Color	Dim "A"	Actuation Force	T&B P/N	P/N

THIS DRAWING IS A CONTROLLED DOCUMENT.		DWN R BROWN 06MAY02																								
DIMENSIONS: mm		CHK H WYNKOOP 06MAY02																								
TOLERANCES UNLESS OTHERWISE SPECIFIED:		APVD H WYNKOOP 06MAY02	NAME SWITCH, TACTILE, 12 X 12																							
<table border="1"> <tr><td>0 PLC</td><td>±</td><td>-</td></tr> <tr><td>1 PLC</td><td>±</td><td>-</td></tr> <tr><td>2 PLC</td><td>±</td><td>0.30</td></tr> <tr><td>3 PLC</td><td>±</td><td>-</td></tr> <tr><td>4 PLC</td><td>±</td><td>-</td></tr> <tr><td>ANGLES</td><td>±</td><td>-</td></tr> <tr><td>FINISH</td><td>±</td><td>-</td></tr> </table>		0 PLC	±	-	1 PLC	±	-	2 PLC	±	0.30	3 PLC	±	-	4 PLC	±	-	ANGLES	±	-	FINISH	±	-	PRODUCT SPEC -	SIZE A2	CAGE CODE 00779	DRAWING NO 1571140
0 PLC	±	-																								
1 PLC	±	-																								
2 PLC	±	0.30																								
3 PLC	±	-																								
4 PLC	±	-																								
ANGLES	±	-																								
FINISH	±	-																								
MATERIAL SEE NOTES		APPLICATION SPEC -	WEIGHT -	SCALE 4:1	SHEET 1 of 1																					
SEE NOTES		CUSTOMER DRAWING	REV F2	RESTRICTED TO -																						