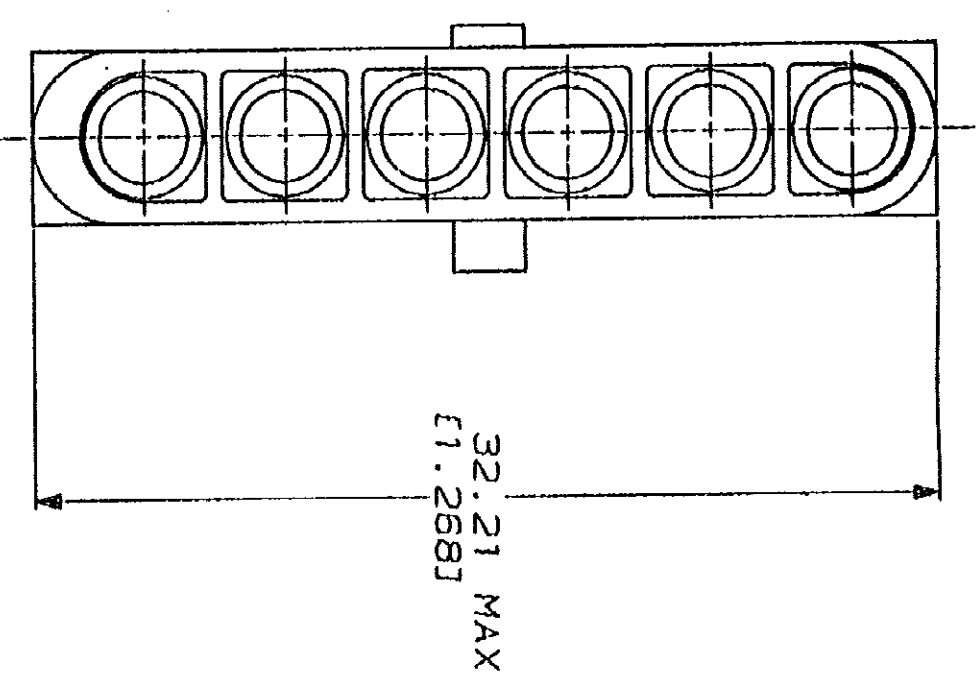
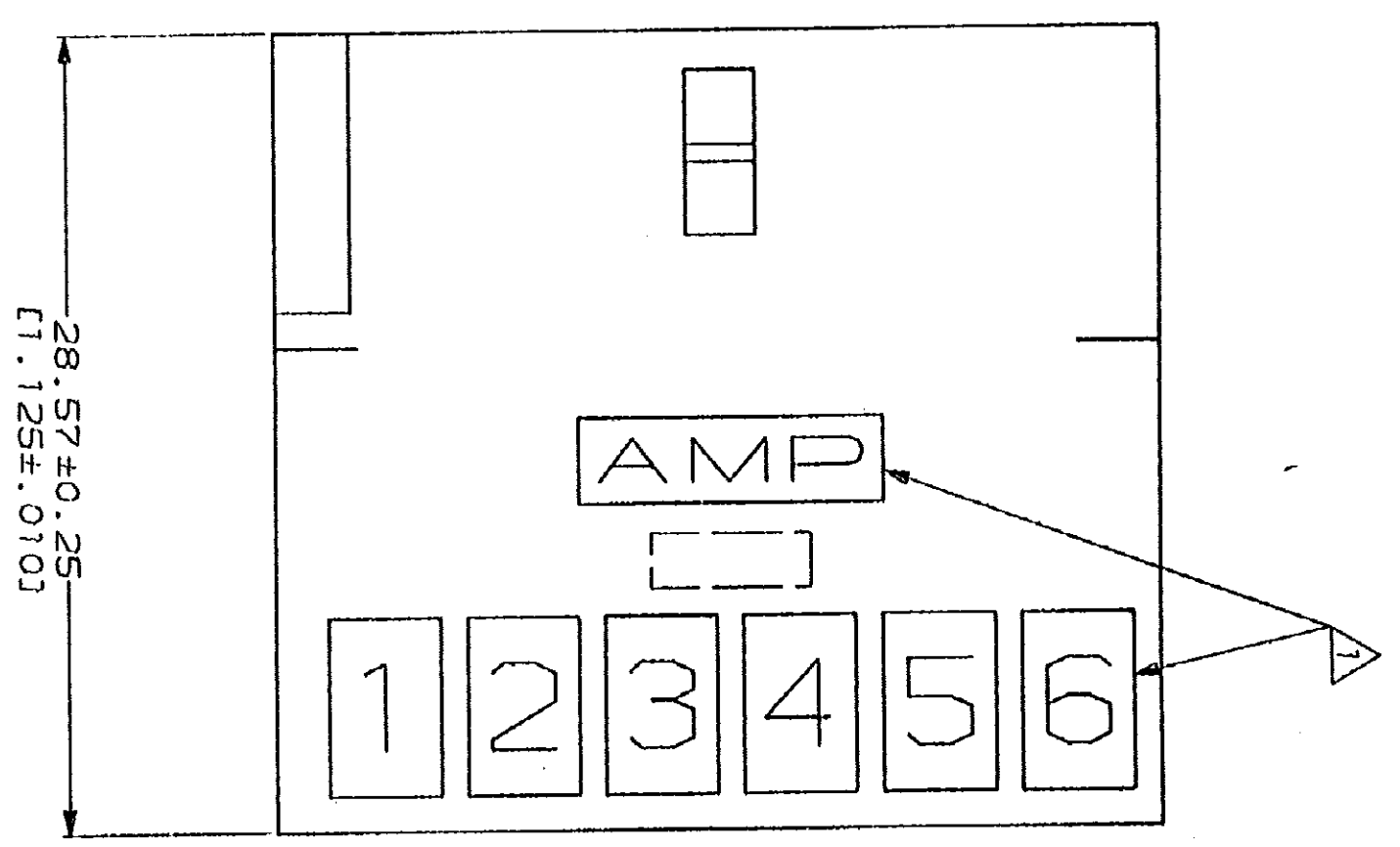
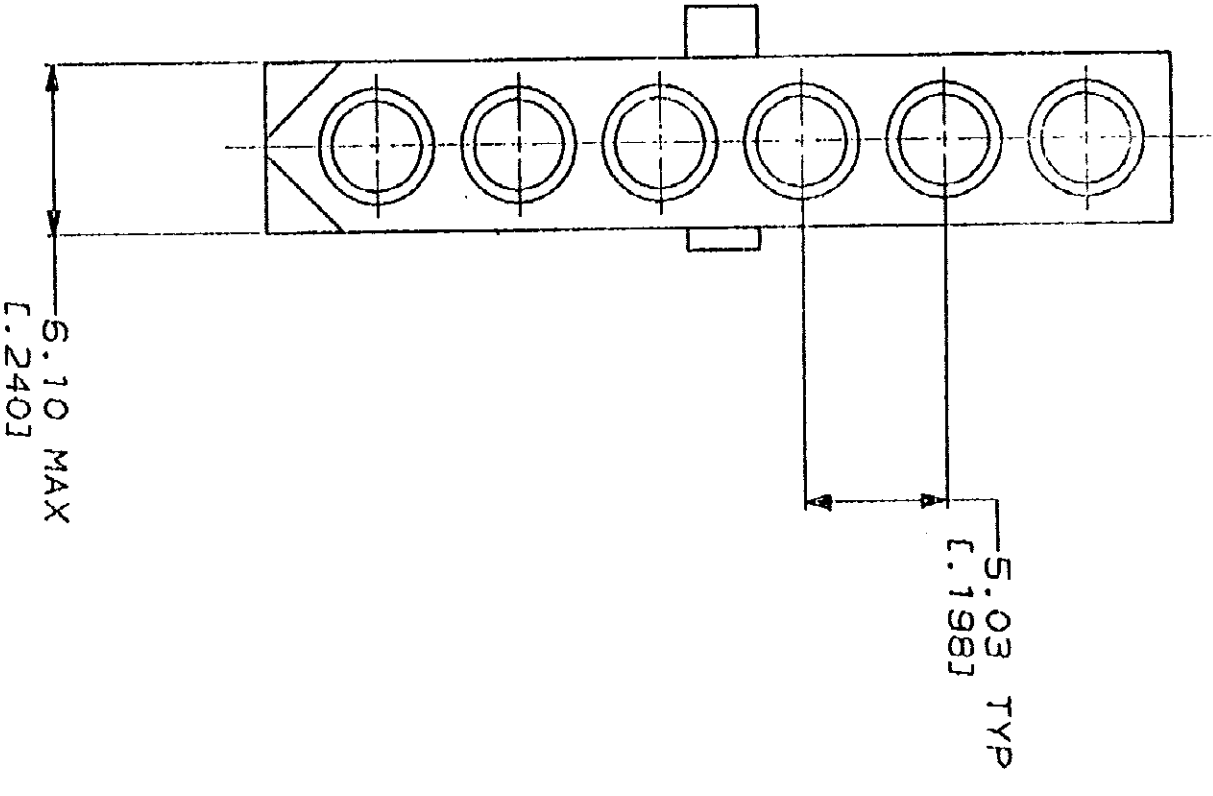


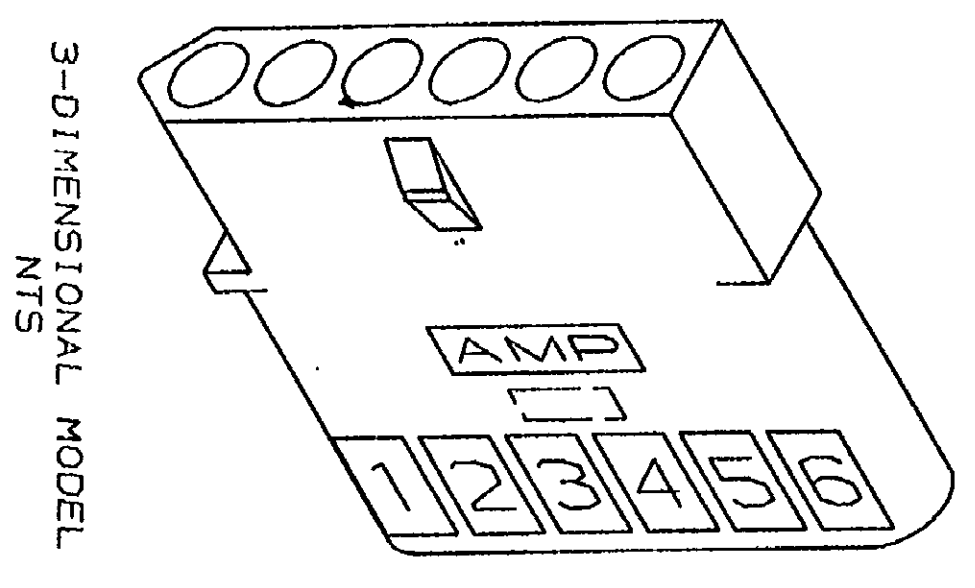
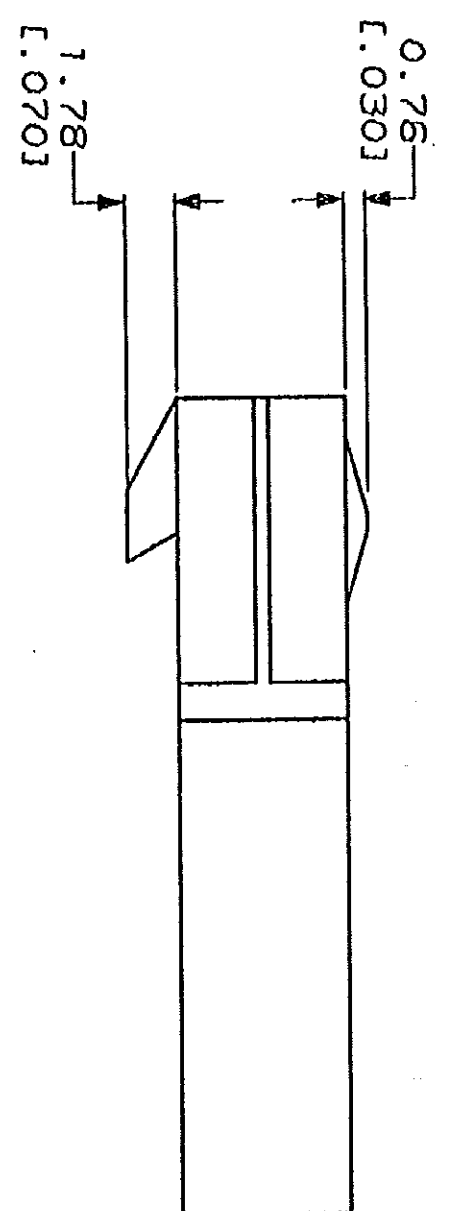
DRAWING MADE IN THIRD ANGLE PROJECTION  
 THIS DRAWING IS UNDER RESERVE  
 COPYRIGHT © 1981 BY AMP INCORPORATED. ALL INTERNATIONAL RIGHTS RESERVED.

19  
 2  
 6  
 5  
 4  
 3

REV	DATE	APP'D	DESCRIPTION
1	11-6-90		
2	11-6-90		REVISED PER ECM CH-3387



△ AMP LOGO AND CIRCUIT NUMBERS LOCATED IN THIS AREA, EITHER SIDE.  
 2. DIMENSIONS IN BRACKETS ARE IN INCHES.



**METRIC**

DO NOT SCALE PRINT. DIMENSIONS IN INCHES TOLERANCES ON: 2 PL. DEC ± 0.13 (L.005) 3 ANG. DEC ± 0.13 (L.005) MATERIAL NYLON, UL 94V-2 NATURAL	DR. K. WITZLER CHK. R. SUIRE APP'D. C. CASH 11-6-90	AMP AMP Incorporated Murrysville, PA 17105-3808
FINISH -	APPLICATION SPEC	RECEPTACLE, POSITIVE LOCK, 6 CIRCUIT, COMMERCIAL PIN AND SOCKET
SIZE D	00779	DRAWING NO. 770782
SCALE 4:1		SHEET 1 OF 1

CUSTOMER DRAWING