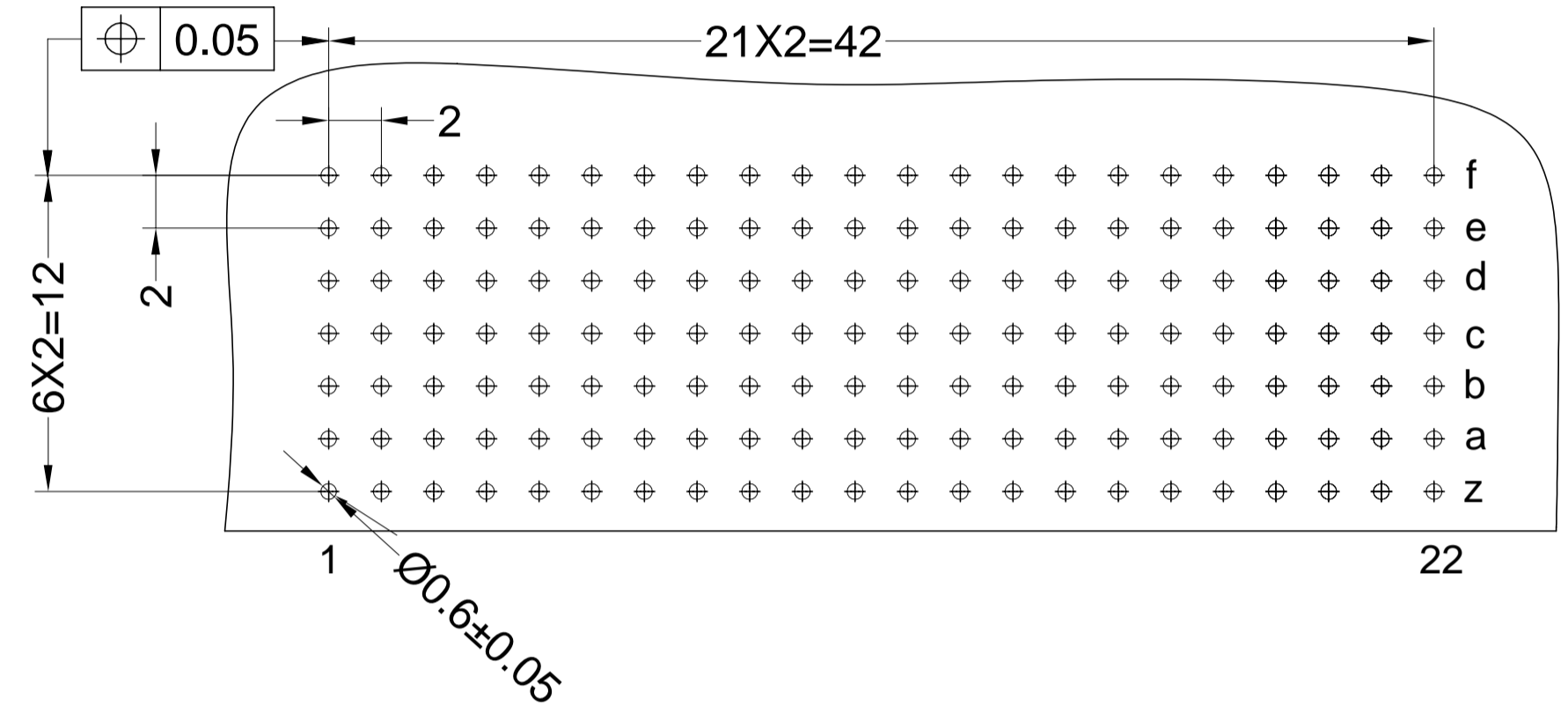
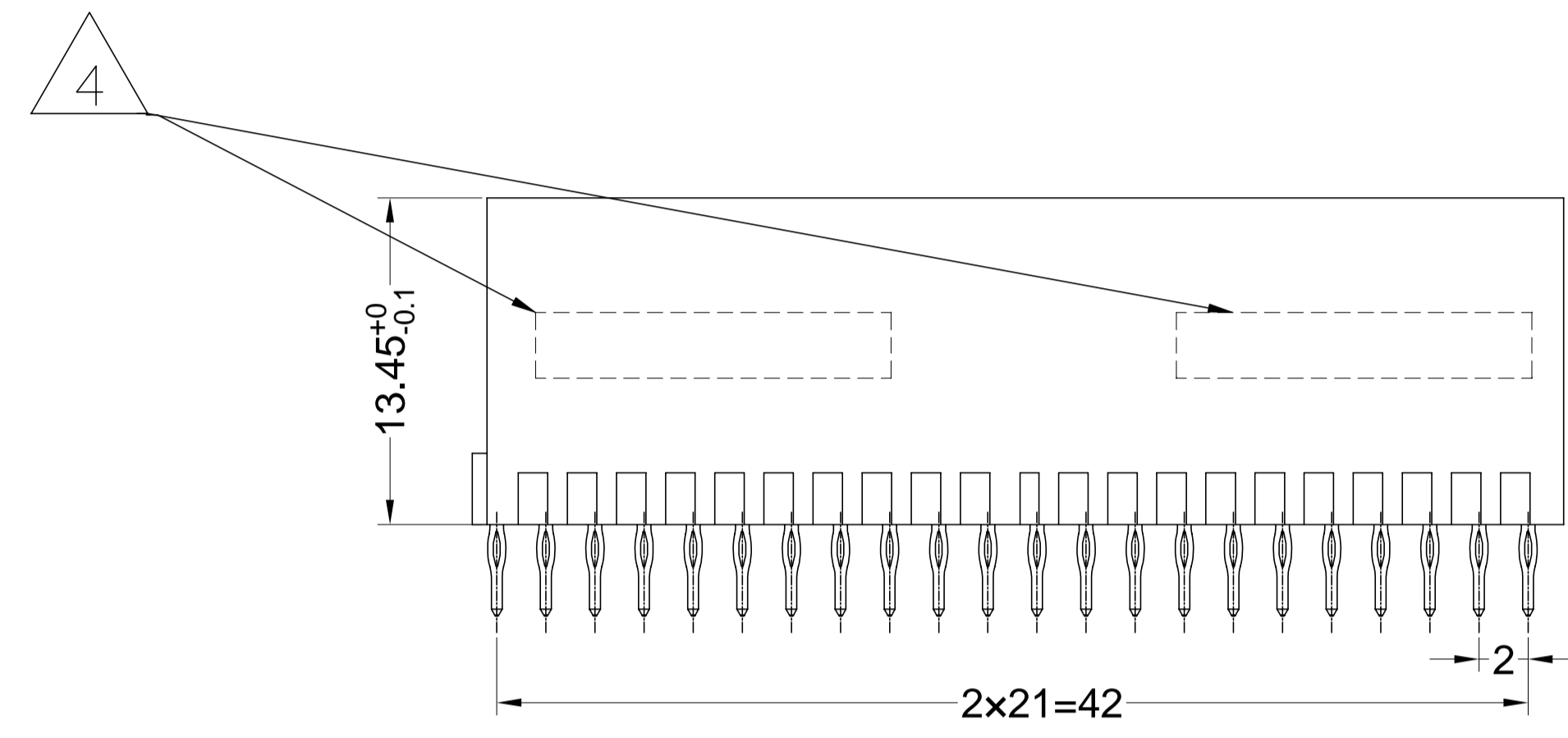
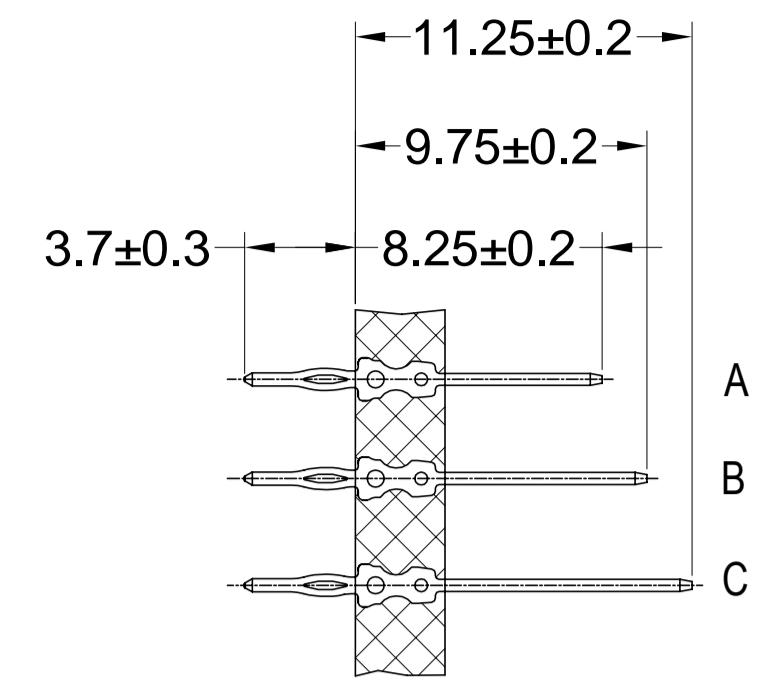
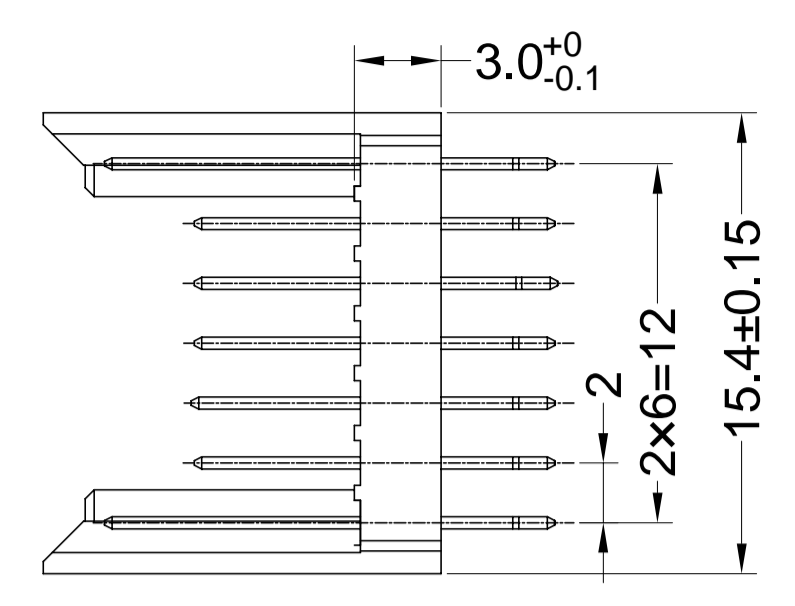
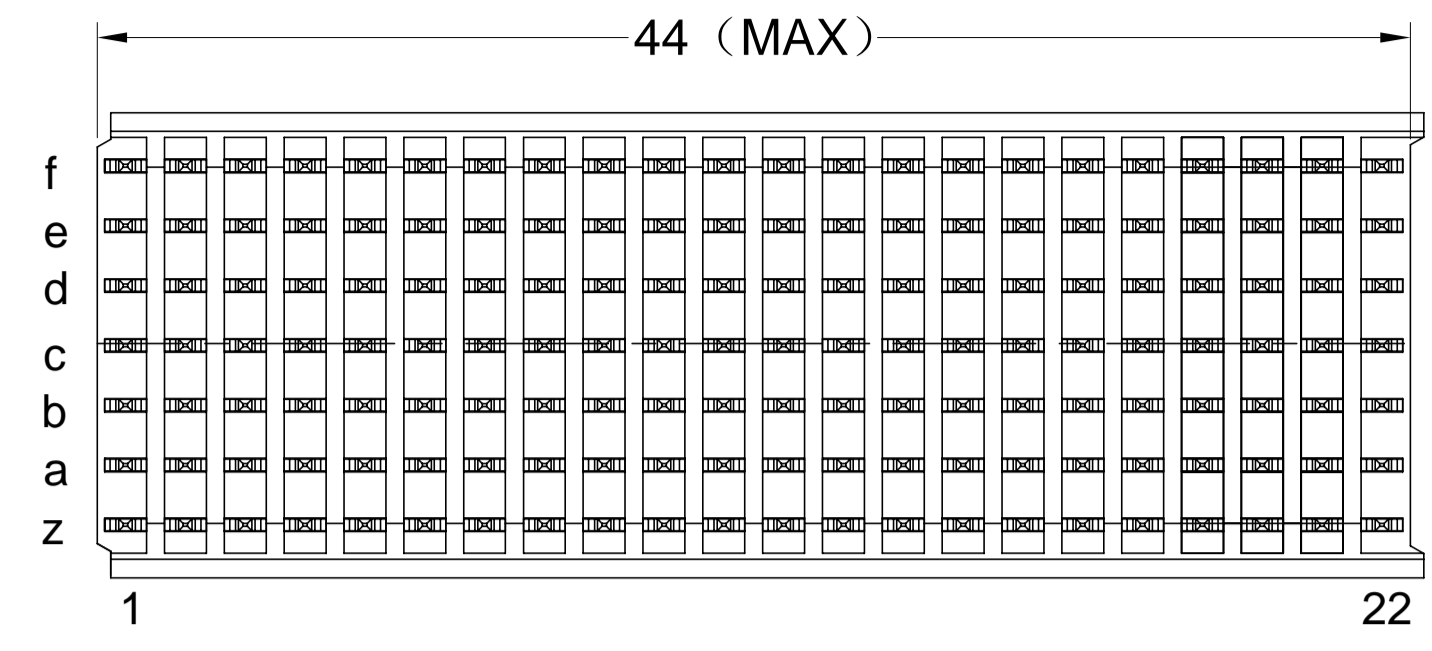


REVISIONS				
P	LTR	DESCRIPTION	DATE	APP'D
A		INITIAL DRAWING	18OCT2021	TL HL



RECOMMEND PCB-HOLE LAYOUT
 COMPONENT SIDE SHOWN
 TOLERANCE ±0.05

	1	2	3	4	5	6	7	8	9	10	11	12	13	14	15	16	17	18	19	20	21	22
f	C	C	C	C	C	C	C	C	C	C	C	C	C	C	C	C	C	C	C	C	C	C
e	A	A	A	A	A	A	A	A	A	A	A	A	A	A	A	A	A	A	A	A	A	A
d	A	A	A	A	A	A	A	A	A	A	A	A	A	A	A	A	A	A	A	A	A	A
c	A	A	A	A	A	A	A	A	A	A	A	A	A	A	A	A	A	A	A	A	A	A
b	A	A	A	A	A	A	A	A	A	A	A	A	A	A	A	A	A	A	A	A	A	A
a	A	A	A	A	A	A	A	A	A	A	A	A	A	A	A	A	A	A	A	A	A	A
z	C	C	C	C	C	C	C	C	C	C	C	C	C	C	C	C	C	C	C	C	C	C

- 1 MATERIAL:
 CONTACT: COPPER ALLOY.
 HOUSING: GLASS-FILLED POLYESTER.
- 2 GENERAL PLATING SPECIFICATION: UNDERPLATING
 (ENTIRE CONTACT): 1.27µm MIN NICKEL AND ACTION
 PIN: 0.5µm MIN TIN.
 FOR PLATING OF MATING SURFACES SEE APPLICABLE
 SPECIFICATION REFERENCE FOR EACH DASH NUMBER.
- 3 CONFORMS TO ALL TESTING ACCORDING TO IEC 61076-4-101
 PERFORMANCE LEVEL 2.
- 4 CONNECTOR MARKED WITH PART NUMBER AND DATE CODE.

2/3	2391879-1
FINISH	PART NUMBER

THIS DRAWING IS A CONTROLLED DOCUMENT. DWN TONY LI 27MAY2021
 CHK ALEX XU 27MAY2021
 APVD HOPE LU 27MAY2021

STE TE Connectivity Ltd.

MALE ASSEMBLY, Z-PACK 2mm HM, 154P
 TYPE B EON

108-19082
 APPLICATION SPEC
 114-160149
 WEIGHT 0

SIZE A1 CAGE CODE 00779 DRAWING NO C=2391879 RESTRICTED TO
 CUSTOMER DRAWING SCALE 4:1 SHEET 1 OF 1 REV A