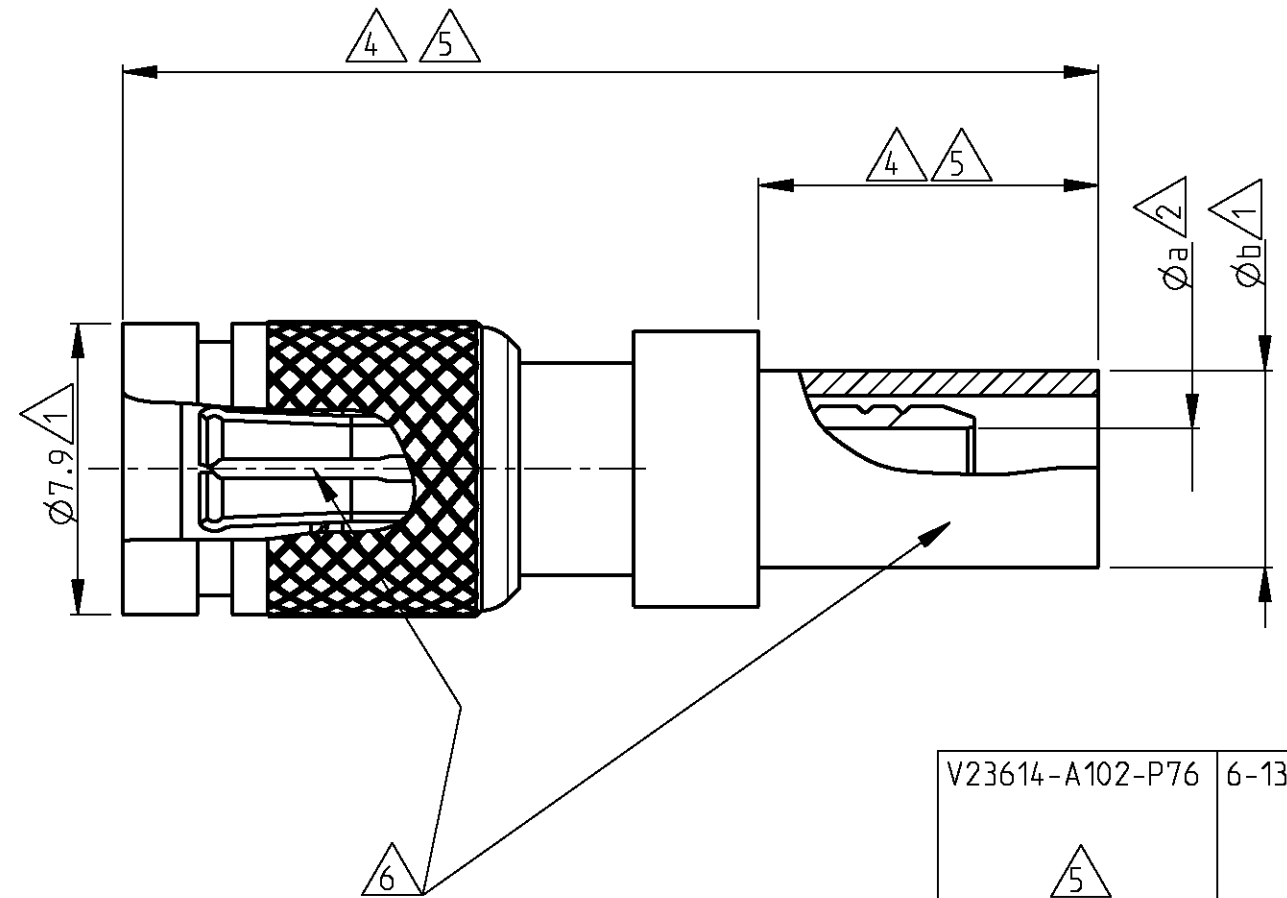


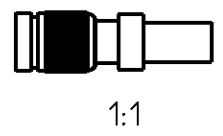
THIS DRAWING IS UNPUBLISHED. RELEASED FOR PUBLICATION 2000
 © COPYRIGHT 2000 BY TYCO ELECTRONICS CORPORATION. ALL RIGHTS RESERVED.

| LOC | DIST | REVISIONS | | | | | |
|-----|------|-----------|-----|---------------------------|-----------|-----|------|
| IS | - | P | LTR | DESCRIPTION | DATE | DWN | APVD |
| | | A1 | | SR10-0445-02 | 17OCT2002 | KM | RL |
| | | B | | ECR-08-002004 | 23JAN2008 | MS | DB |
| | | B1 | | ECR-08-005555 | 03MAR08 | MS | DB |
| | | B2 | | ECR-09-004445 | 25FEB2009 | MG | DB |
| | | B3 | | REVISED PER ECO-10-000445 | 12JAN10 | KK | AEG |



- 7** OBSOLETE PARTS: OBSOLETE CIS STREAMLINING PER D.RENAUD/D.SINISI
- 6** Supplied as loose part
- 5** Length of ferrule is 9.2 max
Complete length of connector = 26 max
- 4** Length of ferrule is 12.2 max
Complete length of connector = 29 max
- 3. Mating face according to DIN 47297 and CECC 22230
- 2** Minimum dimension
- 1** Maximum dimension

| Old Nr | TE Nr | Cable Type | Dim a | Dim b | Appl. spec. | Description | Material | Plating |
|------------------|-------------|-----------------------|-------|-------|-------------|---|---|---|
| V23614-A102-P76 | 6-1393670-4 | 02Y(ST)CY 0.45/2.0 | 2.15 | 5.2 | 114-71009 | Dielectric Outer Con. Center Con. | PTFE CuBe/ Bronze Cu Be Brass | - min. 0.2µm Au over PdNi in contact area min. 0.1µm Au over min. 2µm NiP |
| V23614-A102-P57 | 6-1393670-2 | RG179 B/U | 1.7 | 3.6 | 114-71009 | Dielectric Outer Con. Center Con. | PTFE CuBe/ Bronze Cu Be Brass | - min. 0.2µm Au over PdNi in contact area min. 0.1µm Au over min. 2µm NiP |
| V23614-A102-P34A | 5-1393670-9 | TR-SP127 | 2.35 | 6.4 | 114-71009 | Dielectric Outer Con. Center Con. | PTFE CuBe/ Bronze Cu Be Brass | - min. 0.2µm Au over PdNi in contact area min. 0.1µm Au over min. 2µm NiP |
| V23614-A102-P24 | 5-1393670-7 | R1-T2.0 Li 75K | 2.15 | 5.2 | 114-71009 | Dielectric Outer Con. Center Con. | PTFE CuBe/ Bronze Cu Be Brass | - min. 0.2µm Au over PdNi in contact area min. 0.1µm Au over min. 2µm NiP |



THIS DRAWING IS A CONTROLLED DOCUMENT FOR TYCO ELECTRONICS CORPORATION
 IT IS SUBJECT TO CHANGE AND THE CONTROLLING ENGINEERING ORGANIZATION
 SHOULD BE CONTACTED FOR THE LATEST REVISION.

| | | | |
|-------------------|---|----------------------------|--|
| DIMENSIONS: mm | TOLERANCES UNLESS OTHERWISE SPECIFIED: 0 PLC ± 1 PLC ±0.5 2 PLC ±0.13 3 PLC ±0.013 4 PLC ±0.0001 ANGLES ± | DWN MOROBE 2APR2001 | Tyco Electronics CH - Switzerland - Lugano |
| | MATERIAL - | CHK MATTHEEWS 5APR2001 | |
| | FINISH - | APVD BOZZER 5APR2001 | |
| | | PRODUCT SPEC 108-71032 | |
| | | APPLICATION SPEC SEE TABLE | NAME CABLE PLUG SNAP-ON COUPLING 1.0/2.3 75 Ohm |
| | | WEIGHT - | SIZE A3 CAGE CODE 00779 DRAWING NO C-5-1393670-7 RESTRICTED TO - |
| | | | SCALE 5:1 SHEET 1 OF 3 REV B3 |

THIS DRAWING IS UNPUBLISHED. RELEASED FOR PUBLICATION 2000
 © COPYRIGHT 2000 BY TYCO ELECTRONICS CORPORATION. ALL RIGHTS RESERVED.

| LOC | DIST | REVISIONS | | | | | |
|-----|------|-----------|-----|-------------|------|-----|------|
| IS | - | P | LTR | DESCRIPTION | DATE | DWN | APVD |
| | | - | | SEE SHEET 1 | - | - | - |
| | | | | | | | |
| | | | | | | | |

| Old Nr | TE Nr | Cable Type | Dim a | Dim b | Appl. Spec. | Description | Material | Plating |
|--------|-------------|-----------------------|-------|-------|-------------|-------------|-----------------|---|
| △ 4 | 9-1393670-0 | ST214 | 3.8 | 7.93 | 114-71012 | Dielectric | PTFE | - |
| | | | | | | Outer Con. | CuBe/ Bronze | min. 0.2 μm Au over PdNi in contact area |
| | | | | | | Center Con. | Cu Be Brass | min. 0.1 μm Au over min. 2 μm NiP |
| △ 5 | 8-1393670-9 | ST212 | 2.15 | 4.45 | 114-71012 | Dielectric | PTFE | - |
| | | | | | | Outer Con. | CuBe/ Bronze | min. 0.2 μm Au over PdNi in contact area |
| | | | | | | Center Con. | Cu Be Brass | min. 0.1 μm Au over min. 2 μm NiP |
| △ 5 | 8-1393670-8 | 02Y(ST)CY 0.45/2.0 | 2.15 | 5.2 | 114-71009 | Dielectric | PTFE | - |
| | | | | | | Outer Con. | CuBe/ Bronze | min. 0.2 μm Au over PdNi in contact area |
| | | | | | | Center Con. | Cu Be Brass | min. 0.1 μm Au over min. 2 μm NiP |
| △ 4 | △ 7 | 6-1393670-7 | 3.8 | 7.93 | 114-71012 | Dielectric | PTFE | - |
| | | | | | | Outer Con. | CuBe/ Bronze | min. 0.2 μm Au over PdNi in contact area |
| | | | | | | Center Con. | Cu Be Brass | min. 0.1 μm Au over min. 2 μm NiP |
| △ 5 | 6-1393670-6 | ST212 | 2.15 | 4.45 | 114-71012 | Dielectric | PTFE | - |
| | | | | | | Outer Con. | CuBe/ Bronze | min. 0.2 μm Au over PdNi in contact area |
| | | | | | | Center Con. | Cu Be Brass | min. 0.1 μm Au over min. 2 μm NiP |
| △ 5 | 6-1393670-5 | ST212 | 2.15 | 4.45 | 114-71012 | Dielectric | PTFE | - |
| | | | | | | Outer Con. | CuBe/ Bronze | min. 0.2 μm Au over PdNi in contact area |
| | | | | | | Center Con. | Cu Be Brass | min. 0.1 μm Au over min. 2 μm NiP |

| | | | |
|---|---|---|---|
| <small>THIS DRAWING IS A CONTROLLED DOCUMENT FOR TYCO ELECTRONICS CORPORATION IT IS SUBJECT TO CHANGE AND THE CONTROLLING ENGINEERING ORGANIZATION SHOULD BE CONTACTED FOR THE LATEST REVISION.</small> | | DWN MOROBE 2APR2001 CHK MATTHEEWS 5APR2001 APVD BOZZER 5APR2001 | Tyco Electronics CH - Switzerland - Lugano |
| DIMENSIONS: mm | TOLERANCES UNLESS OTHERWISE SPECIFIED: 0 PLC ± 1 PLC ±0.5 2 PLC ±0.13 3 PLC ±0.013 4 PLC ±0.0001 ANGLES ± | PRODUCT SPEC 108-71032 APPLICATION SPEC SEE TABLE WEIGHT - | NAME CABLE PLUG SNAP-ON COUPLING 1.0/2.3 75 Ohm |
| MATERIAL - | FINISH - | SIZE A3 | CAGE CODE 00779 DRAWING NO ©5-1393670-7 RESTRICTED TO - |
| | | SCALE 5:1 | SHEET 2 OF 3 REV B3 |

THIS DRAWING IS UNPUBLISHED. RELEASED FOR PUBLICATION 2000
 © COPYRIGHT 2000 BY TYCO ELECTRONICS CORPORATION. ALL RIGHTS RESERVED.

| LOC | DIST | REVISIONS | | | | | |
|-----|------|-----------|-----|-------------|------|-----|------|
| | | P | LTR | DESCRIPTION | DATE | DWN | APVD |
| IS | - | | | SEE SHEET 1 | - | - | - |
| | | | | | | | |
| | | | | | | | |

| Old Nr | TE Nr | Cable Type | Dim a | Dim b | Appl. Spec. | Description | Material | Plating |
|--------|-------------|--|-------|-------|-------------|-------------|-----------------|---|
| 5 | 619353-1 | RG179D | 1.7 | 4.45 | 114-71009 | Dielectric | PTFE | - |
| | | | | | | Outer Con. | CuBe/ Bronze | min. 0.2 μm Au over PdNi in contact area |
| | | | | | | Center Con. | Cu Be Brass | min. 0.1 μm Au over min. 2 μm NiP |
| 5 | 619086-1 | 02Y12YC(mS) C6Y 0.45/2.0 BT 3002 TZC 750 24 | 2.1 | 5.2 | 114-71009 | Dielectric | PTFE | - |
| | | | | | | Outer Con. | CuBe/ Bronze | min. 0.2 μm Au over PdNi in contact area |
| | | | | | | Center Con. | Cu Be Brass | min. 0.1 μm Au over min. 2 μm NiP |
| 5 | 9-1393670-5 | ST212 | 2.15 | 4.45 | 114-71012 | Dielectric | PTFE | - |
| | | | | | | Outer Con. | CuBe/ Bronze | min. 0.2 μm Au over PdNi in contact area |
| | | | | | | Center Con. | Cu Be Brass | min. 0.1 μm Au over min. 2 μm NiP |
| 5 | 9-1393670-4 | 02y(st)cy 0.45/2.0 | 2.15 | 5.2 | 114-71009 | Dielectric | PTFE | - |
| | | | | | | Outer Con. | CuBe/ Bronze | min. 0.2 μm Au over PdNi in contact area |
| | | | | | | Center Con. | Cu Be Brass | min. 0.1 μm Au over min. 2 μm NiP |

| | | | |
|---|---|---|---|
| <small>THIS DRAWING IS A CONTROLLED DOCUMENT FOR TYCO ELECTRONICS CORPORATION IT IS SUBJECT TO CHANGE AND THE CONTROLLING ENGINEERING ORGANIZATION SHOULD BE CONTACTED FOR THE LATEST REVISION.</small> | | DWN MOROBE 2APR2001 CHK MATTHEEWS 5APR2001 APVD BOZZER 5APR2001 | Tyco Electronics CH - Switzerland - Lugano |
| DIMENSIONS: mm | TOLERANCES UNLESS OTHERWISE SPECIFIED: 0 PLC ± 1 PLC ±0.5 2 PLC ±0.13 3 PLC ±0.013 4 PLC ±0.0001 ANGLES ± | PRODUCT SPEC 108-71032 APPLICATION SPEC SEE TABLE WEIGHT - | NAME CABLE PLUG SNAP-ON COUPLING 1.0/2.3 75 Ohm |
| MATERIAL - | FINISH - | SIZE A3 | CAGE CODE 00779 DRAWING NO C-5-1393670-7 RESTRICTED TO - |
| | | SCALE 5:1 | SHEET 3 OF 3 REV B3 |