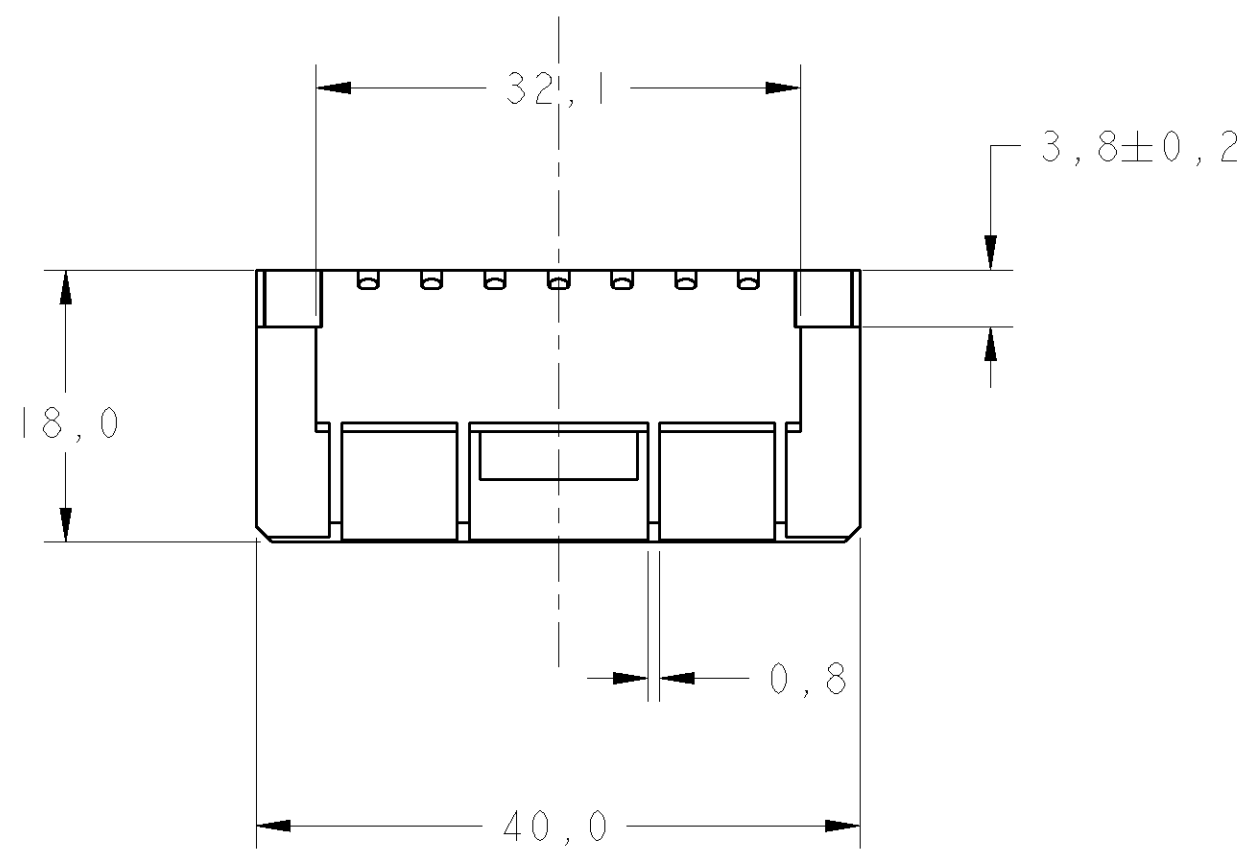
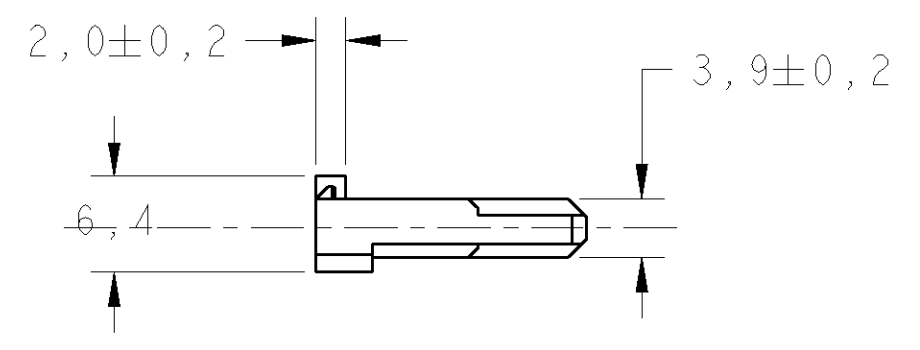
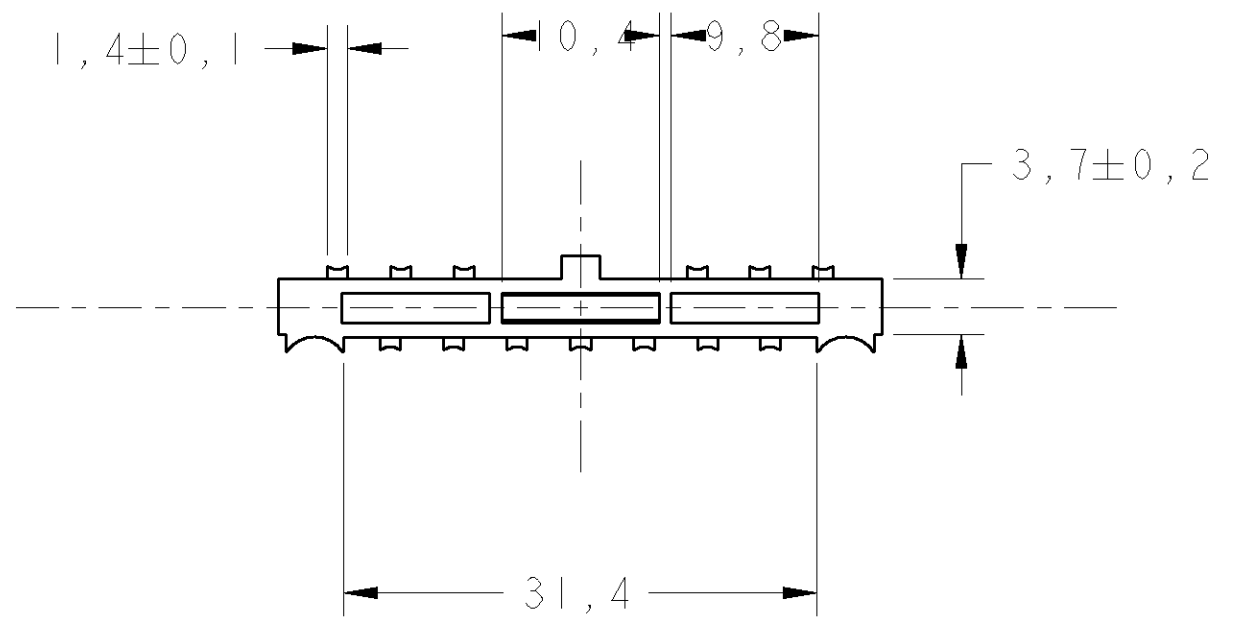


THIS DRAWING IS UNPUBLISHED. RELEASED FOR PUBLICATION 20
 © COPYRIGHT 20 BY TYCO ELECTRONICS CORPORATION. ALL RIGHTS RESERVED.

LOC	DIST	REVISIONS					
AP	-	P	LTR	DESCRIPTION	DATE	DWN	APVD
		0		RELEASED BY EC 234/02	14AUG2002	EGS	PLF

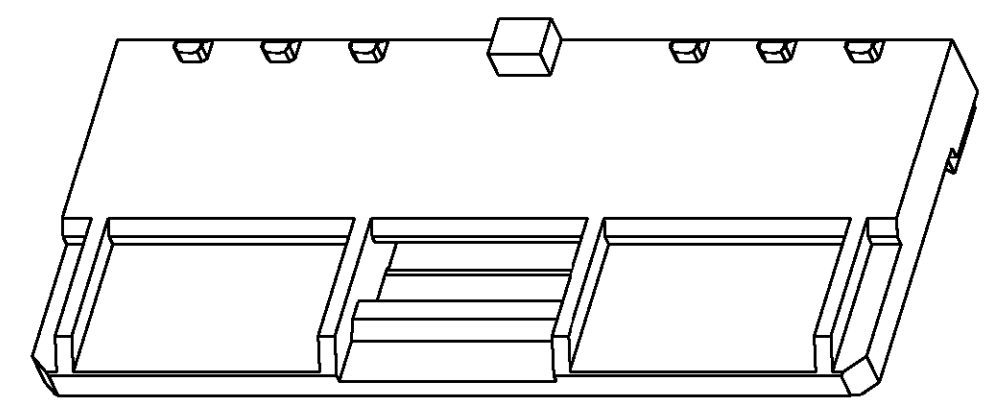
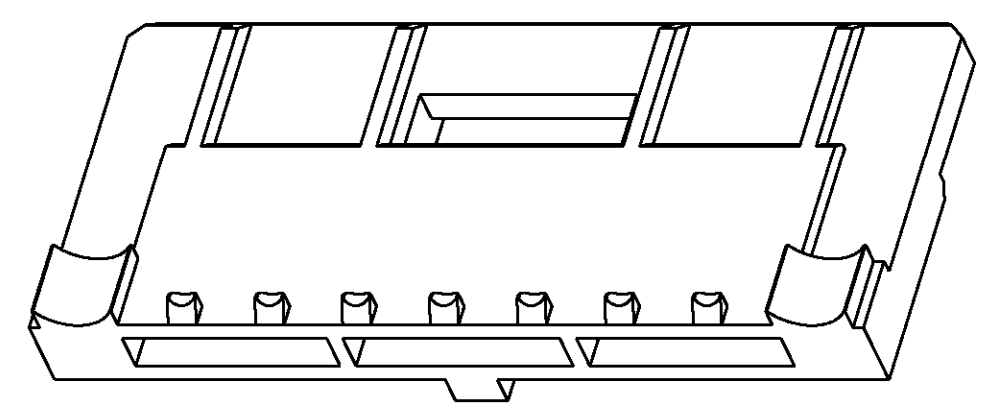
CAD
DO NOT REVISE EXCEPT BY CAD



GRAVAÇÃO MARKING
LOGOTIPO AMP AMP LOGO
CÓDIGO PAÍS PRODUTOR MANUFACTURER COUNTRY CODE
NOMENCLATURA MATERIAL MATERIAL NOMENCLATURE
NÚMERO COMPONENTE AMP AMP COMPONENT NUMBER
NÚMERO CAVIDADE CAVITY NUMBER

- 1 -USAR COM CONECTOR 1599028
- △ 2 -CÓDIGO DO FORNECEDOR GE PARA COR VERMELHA 6187
- 3 -PARA EXTRAÇÃO DO SPACER UTILIZAR A FERRAMENTA CONF. AMP SPEC. 411-37035)

- 1 -TO BE USED WITH CONNECTOR 1599028
- △ 2 -SUPPLIER COLOR CODE GE RED 6187
- 3 -FOR SPACER EXTRACTION TOOL SEE AMP SPEC. 411-37035



PERSPECTIVE VIEW
 SCALE 3:1

VERMELHO/RED △ 2	PBT +33% FV/GF	493510-1
FINISH	MATERIAL	PART NUMBER

THIS DRAWING IS A CONTROLLED DOCUMENT FOR TYCO ELECTRONICS CORPORATION IT IS SUBJECT TO CHANGE AND THE CONTROLLING ENGINEERING ORGANIZATION SHOULD BE CONTACTED FOR THE LATEST REVISION.		DWN E.J.G.SILVA 14AUG2002	TYCO Electronics TYCO ELECTRONICS do Brasil LTDA. São Paulo, Brasil	
DIMENSIONS: mm		CHK P.L.FARIA 14AUG2002	NAME	
TOLERANCES UNLESS OTHERWISE SPECIFIED:		APVD D.OLIVEIRA 14AUG2002	PRODUCT SPEC	
0 PLC ±		APPLICATION SPEC		
1 PLC ±0,3		FINISH		
2 PLC ±		WEIGHT NA		
3 PLC ±		SIZE A2		
4 PLC ±		CAGE CODE 00779		
ANGLES ±°		DRAWING NO. 493510		
FINISH		RESTRICTED TO		
MATERIAL SEE TABLE		CUSTOMER DRAWING		
		SCALE 2:1 SHEET 1 OF 1 REV 0		