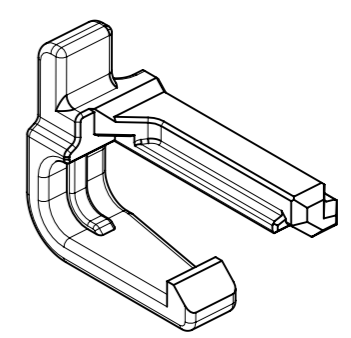
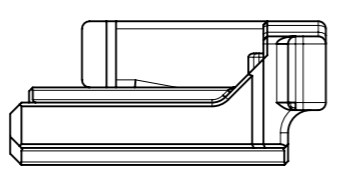
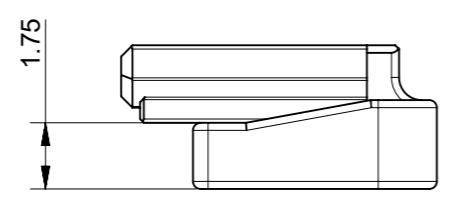
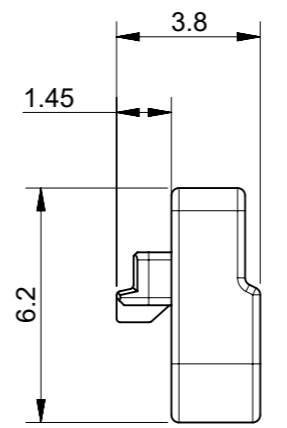
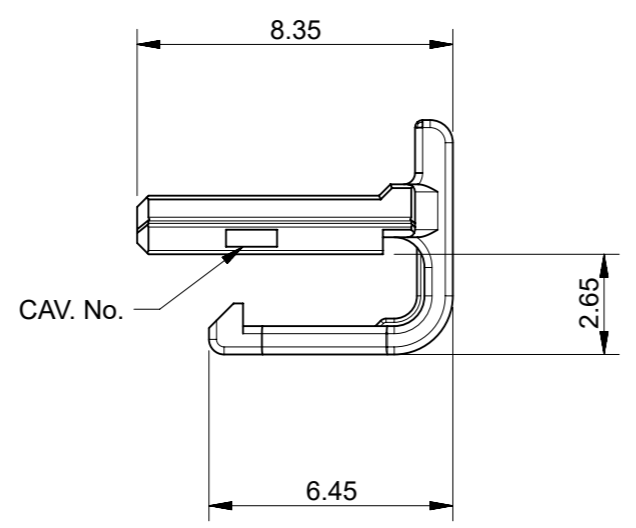
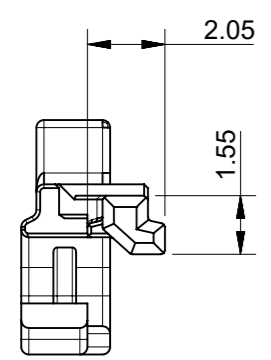


GENERAL TOLERANCE										USED ON
10 MAX	30 MAX	50 MAX	70 MAX	100 MAX	120 MAX	250 MAX	250 OVER	ANGLE	ECCENT	
±0.15	±0.20	±0.30	±0.40	±0.50	±0.75	±0.90	±1.4	±0.5°	0.1	



ISO VIEW



MATERIAL NUMBER

ORDER NO.	MATERIAL NO.	COLOR
560125-0300	5601250300	GRAY
560125-0301	5601250301	BLACK

- NOTES:
1. MATERIALS : POLYESTER (PBT)-GF17, UL94 V-0
  2. APPLICABLE HOUSING : 560123 SERIES
  3. GENERAL TOLERANCE : SEE TABLE
  4. EVL AND RoHS COMPLIANT
  5. PRODUCT SPECIFICATION : PS-560123-00\*
  6. PACKING SPECIFICATION : PK-560125-001

FUNCTIONAL SYMBOLS FA = 0 FE = 0 FV = 0	THIS DRAWING CONTAINS INFORMATION THAT IS PROPRIETARY TO MOLEX ELECTRONIC TECHNOLOGIES, LLC AND SHOULD NOT BE USED WITHOUT WRITTEN PERMISSION	CURRENT REV DESC: DRAWING REMASTERED		<b>molex</b>		
	DIMENSION UNITS: mm	SCALE: 5:1	NEW 2.0 PITCH W/B CONN. REC. 3WAY ISL DURACLICK ISL SERIES			
	GENERAL TOLERANCES (UNLESS SPECIFIED)	EC NO: 641821		PRODUCT CUSTOMER DRAWING		
	ANGULAR TOL ± °	DRWN: SAKIM		DOCUMENT NUMBER: SD-560125-003		
DIVISIONAL SYMBOLS	3 PLACES ±		2020/07/17		DOC TYPE: PSD	
	2 PLACES ±		2020/07/27		DOC PART: 001	
	1 PLACE ±		2020/07/27		REVISION: B2	
	0 PLACES ±		INITIAL REVISION:			
	DRAFT WHERE APPLICABLE MUST REMAIN WITHIN DIMENSIONS		DRWN: YIBAEK			
	THIRD ANGLE PROJECTION		2014/07/08			
	DRAWING: A3-SIZE		2014/08/26			
	SERIES: 560125		MATERIAL NUMBER: SEE TABLE			
	CUSTOMER: GENERAL MARKET		SHEET NUMBER: 1 OF 1			