

18V, 3A Synchronous DC-DC Buck Converter**AT5503****General Description**

The AT5503 is a 500kHz fixed frequency, current mode, PWM synchronous buck (step-down) DC-DC converter, capable of driving a 3A load with high efficiency, excellent line and load regulation. The AT5503 exhibits high efficiency at light load. The device integrates N-channel power MOSFET switch with low on-resistance. Current mode control provides fast transient response and cycle-by-cycle current limit.

The AT5503 employs complete protection to ensure system security, including output Over Voltage Protection, input Under Voltage Lock Out, programmable soft-start, Over Temperature Protection and hiccup mode Short Circuit Protection.

This IC is available in PSOP-8 package.

Features

- Input Voltage Range: 4.5V to 18V
- Fixed 500kHz Frequency
- High Efficiency at Light Load
- Output Current: 3A
- Current Mode Control
- Built-in Over Current Protection
- Built-in Thermal Shutdown Function
- Built-in UVLO Function
- Built-in Over Voltage Protection
- Programmable Soft-start
- Hiccup Mode SCP

Applications

- Monitor
- TV
- STB
- Datacom

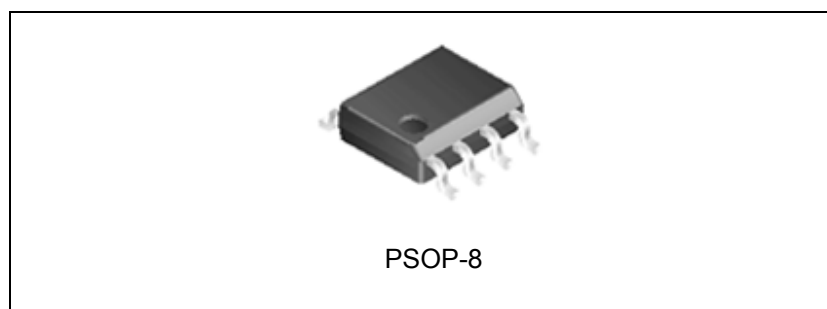


Figure 1. Package Type of AT5503

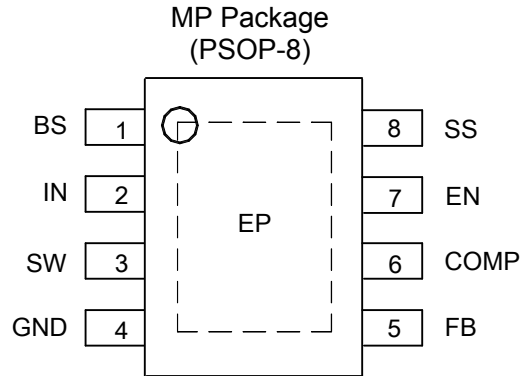
18V, 3A Synchronous DC-DC Buck Converter
AT5503
Pin Configuration


Figure 2. Pin Configuration of AT5503 (Top View)

Pin Description

Pin Number	Pin Name	Function
1	BS	Bootstrap pin. A bootstrap capacitor is connected between the BS pin and SW pin. The voltage across the bootstrap capacitor drives the internal high-side NMOS switch.
2	IN	Supply input pin. A capacitor should be connected between the IN pin and GND pin to keep the DC input voltage constant.
3	SW	Power switch output pin. This pin is connected to the inductor and bootstrap capacitor.
4	GND	Ground pin
5	FB	Feedback pin. This pin is connected to an external resistor divider to program the system output voltage. When the FB pin voltage exceeds 1.1V, the over voltage protection is triggered. When the FB pin voltage is below 0.3V, the oscillator frequency is lowered to realize short circuit protection.
6	COMP	Compensation pin. This pin is the output of the transconductance error amplifier and the input to the current comparator. This pin is used to compensate the control loop. Connect a series RC network from this pin to GND pin. In some cases, an additional capacitor from this pin to GND pin is required.
7	EN	Enable input. EN is a digital input that turns the regulator on or off. Drive EN high to turn on the regulator, drive it low to turn off. Pull up with 100kΩ resistor for automatic startup.
8	SS	Soft-start control input pin. SS controls the soft start period. Connect a capacitor from SS to GND to set the soft-start period. A 0.1μF capacitor sets the soft-start period to 15ms. To disable the soft-start feature, leave SS unconnected.
	EP	Exposed pad. It should be connected to GND in PCB layout.

18V, 3A Synchronous DC-DC Buck Converter

AT5503

Functional Block Diagram

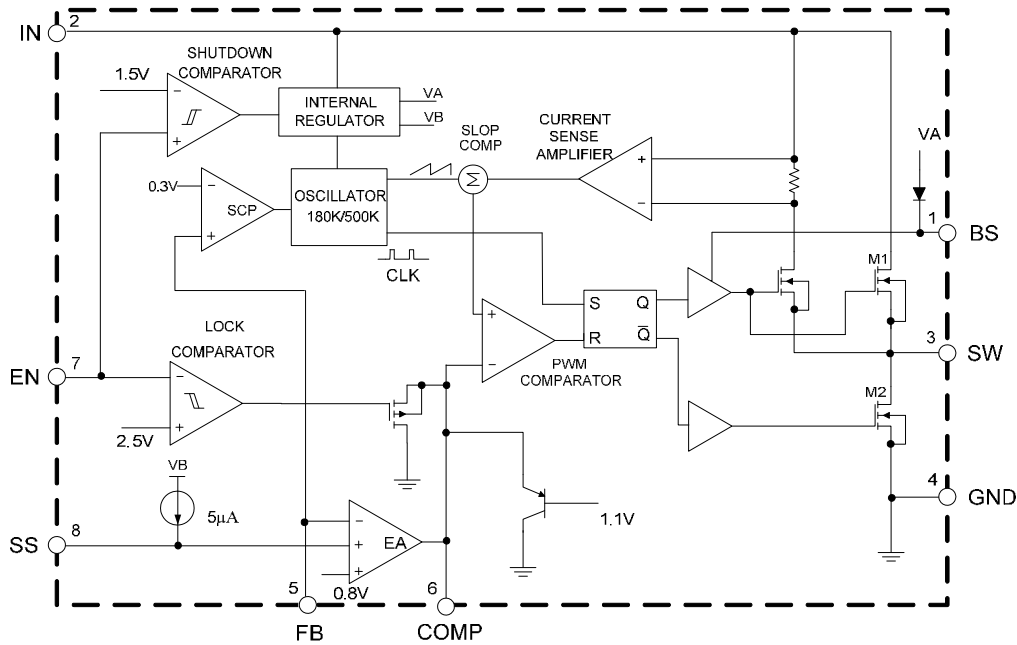
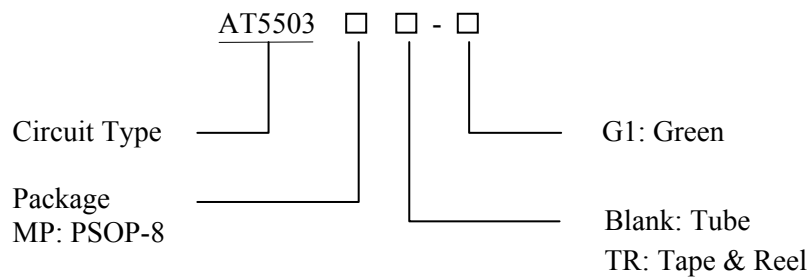


Figure 3. Functional Block Diagram of AT5503

Ordering Information



Package	Temperature Range	Part Number	Marking ID	Packing Type
PSOP-8	-40 to 85°C	AT5503MP-G1	5503MP-G1	Tube
		AT5503MPTR-G1	5503MP-G1	Tape & Reel

BCD Semiconductor's Pb-free products, as designated with "G1" suffix in the part number, are RoHS compliant and green.

**18V, 3A Synchronous DC-DC Buck Converter****AT5503****Absolute Maximum Ratings (Note 1)**

Parameter	Symbol	Value		Unit
IN Pin Voltage	V_{IN}	-0.3 to 20		V
EN Pin Voltage	V_{EN}	-0.3 to V_{IN}		V
SW Pin Voltage	V_{SW}	21		V
BS Pin Voltage	V_{BS}	-0.3 to $V_{SW}+6$		V
FB Pin Voltage	V_{FB}	-0.3 to 6		V
COMP Pin Voltage	V_{COMP}	-0.3 to 6		V
SS Pin Voltage	V_{SS}	-0.3 to 6		V
Operating Junction Temperature	T_J	150		°C
Storage Temperature	T_{STG}	-65 to 150		°C
Lead Temperature (Soldering, 10sec)	T_{LEAD}	260		°C
Thermal Resistance (Junction to Ambient)	θ_{JA}	PSOP-8	60	°C/W
ESD (Human Body Model)	V_{HBM}	2000		V
ESD (Machine Model)	V_{MM}	200		V

Note 1: Stresses greater than those listed under “Absolute Maximum Ratings” may cause permanent damage to the device. These are stress ratings only, and functional operation of the device at these or any other conditions beyond those indicated under “Recommended Operating Conditions” is not implied. Exposure to “Absolute Maximum Ratings” for extended periods may affect device reliability.

Recommended Operating Conditions

Parameter	Symbol	Min	Max	Unit
Input Voltage	V_{IN}	4.5	18	V
Operating Ambient Temperature	T_A	-40	85	°C

**18V, 3A Synchronous DC-DC Buck Converter****AT5503****Electrical Characteristics** $V_{IN}=V_{EN}=12V$, $V_{OUT}=3.3V$, $T_A=25^\circ C$, unless otherwise specified.

Parameter	Symbol	Conditions	Min	Typ	Max	Unit
SUPPLY VOLTAGE (IN PIN)						
Input Voltage	V_{IN}		4.5		18	V
Quiescent Current	I_Q	$V_{FB}=1V$, $V_{EN}=3.3V$		1.2	1.4	mA
Shutdown Supply Current	I_{SHDN}	$V_{EN}=0V$		0.1	1.0	μA
UNDER VOLTAGE LOCKOUT						
Input UVLO Threshold	V_{UVLO}	V_{IN} Rising	3.65	4.0	4.25	V
Input UVLO Hysteresis	V_{HYS}			0.2		V
ENABLE (EN PIN)						
EN Shutdown Threshold Voltage			1.1	1.5	2	V
EN Shutdown Threshold Voltage Hysteresis (Note 2)				350		mV
EN Lockout Threshold Voltage			2.2	2.5	2.7	V
EN Lockout Hysteresis				210		mV
VOLTAGE REFERENCE (FB PIN)						
Feedback Voltage	V_{FB}		0.784	0.8	0.816	V
Feedback Over Voltage Threshold	V_{FBOV}			1.1		V
Feedback Bias Current	I_{FB}	$V_{FB}=1V$	-0.1		0.1	μA
MOSFET						
High-side Switch On-resistance (Note 3)	$R_{DS(ON)H}$	$I_{SW}=0.2A\&0.7A$		100		m Ω
Low-side Switch On-resistance (Note 3)	$R_{DS(ON)L}$	$I_{SW}=-0.2A\&-0.7A$		100		m Ω
CURRENT LIMIT						
High-side Switch Leakage Current	I_{LEAKH}	$V_{IN}=18V$, $V_{EN}=0V$, $V_{SW}=0V$		0.1	10	μA
High-side Switch Current Limit	I_{LIMH}		4.3	5.6		A
Low-side Switch Current Limit	I_{LIML}	From Drain to Source		50		mA
SWITCHING REGULATOR						
Oscillator Frequency	f_{OSC1}		410	500	590	kHz
Short Circuit Oscillator Frequency	f_{OSC2}			180		kHz

**18V, 3A Synchronous DC-DC Buck Converter****AT5503****Electrical Characteristics (Continued)** $V_{IN}=V_{EN}=12V$, $V_{OUT}=3.3V$, $T_A=25^{\circ}C$, unless otherwise specified.

Parameter	Symbol	Conditions	Min	Typ	Max	Unit
Maximum Duty Cycle	D_{MAX}	$V_{FB}=0.7V$		90		%
Minimum Duty Cycle	D_{MIN}	$V_{FB}=1V$			0	%
ERROR AMPLIFIER						
Error Amplifier Voltage Gain (Note 2)	A_{EA}			400		V/V
Error Amplifier Transconductance	G_{EA}			800		$\mu A/V$
COMP to Current Sense Transconductance	G_{CS}			5.2		A/V
THERMAL SHUTDOWN						
Thermal Shutdown (Note 2)	T_{OTSD}			160		$^{\circ}C$
Thermal Shutdown Hysteresis (Note 2)	T_{HYS}			30		$^{\circ}C$
SOFT START (SS PIN)						
Soft-start Time (Note 2)	t_{SS}	$C_{SS}=0.1\mu F$		15		ms
Soft-start Current				5		μA

Note 2: Not tested, guaranteed by design.

$$\text{Note 3: } R_{DS(ON)} = \frac{V_{SW1} - V_{SW2}}{I_{SW1} - I_{SW2}}$$



18V, 3A Synchronous DC-DC Buck Converter

AT5503

Typical Performance Characteristics

$V_{IN}=12V$, $V_{OUT}=3.3V$, $L=4.7\mu H$, $T_A=25^\circ C$, unless otherwise noted.

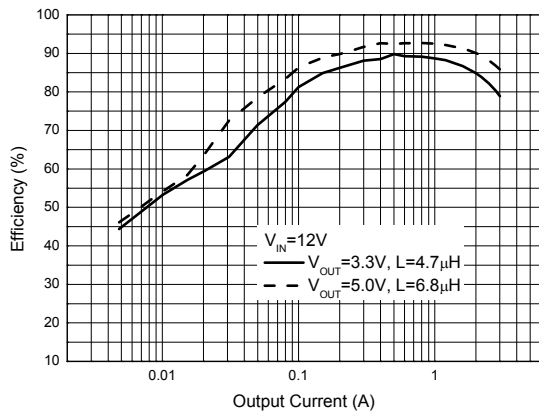


Figure 4. Efficiency vs. Output Current

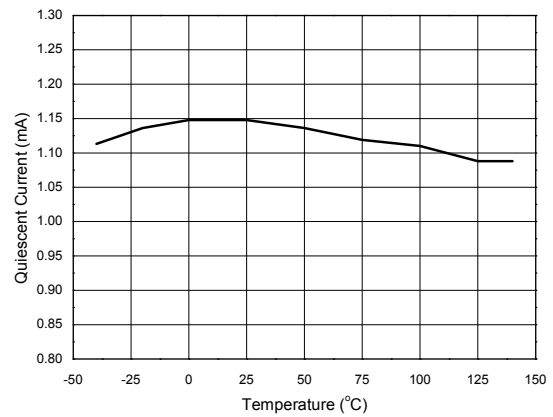


Figure 5. Quiescent Current vs. Temperature

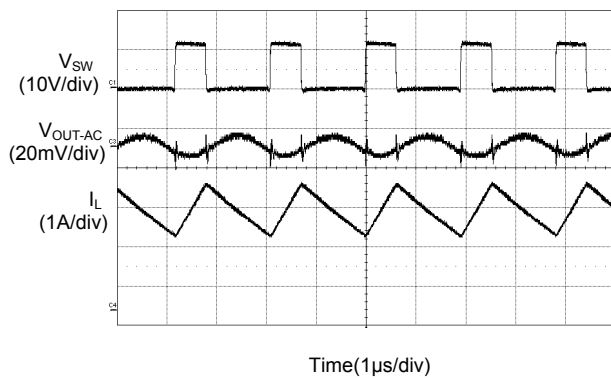


Figure 6. Output Ripple ($I_{OUT}=2.5A$)

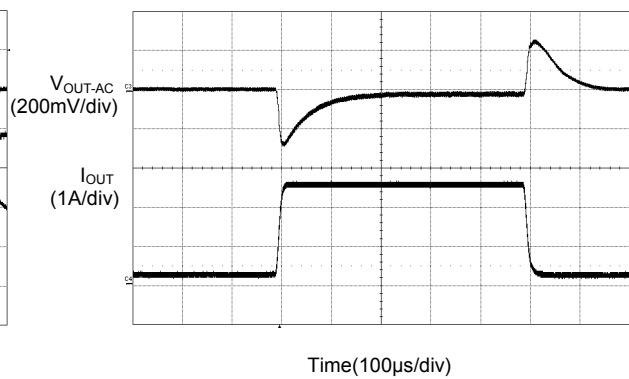


Figure 7. Load Transient Response ($I_{OUT}=0.2A$ to $2.5A$)

18V, 3A Synchronous DC-DC Buck Converter

AT5503

Typical Performance Characteristics (Continued)

$V_{IN}=12V$, $V_{OUT}=3.3V$, $L=4.7\mu H$, $T_A=25^\circ C$, unless otherwise noted.

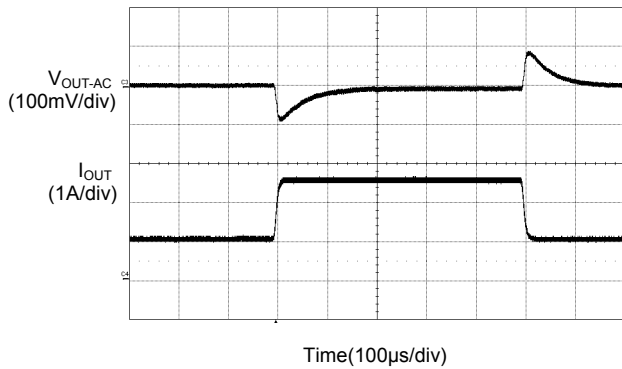


Figure 8. Load Transient Response ($I_{OUT}=1A$ to $2.5A$)

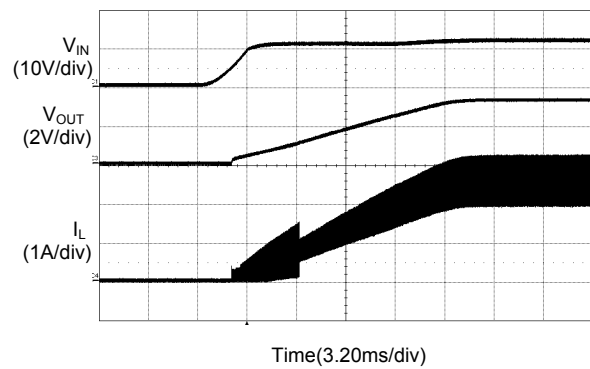


Figure 9. Power On from V_{IN} ($I_{OUT}=2.5A$)

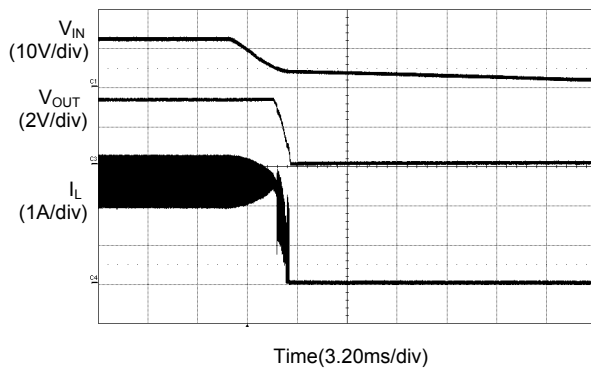


Figure 10. Power Off from V_{IN} ($I_{OUT}=2.5A$)

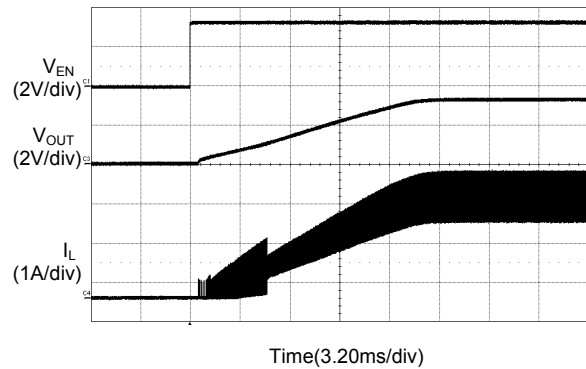


Figure 11. Power On from EN ($I_{OUT}=2.5A$)

18V, 3A Synchronous DC-DC Buck Converter

AT5503

Typical Performance Characteristics (Continued)

$V_{IN}=12V$, $V_{OUT}=3.3V$, $L=4.7\mu H$, $T_A=25^\circ C$, unless otherwise noted.

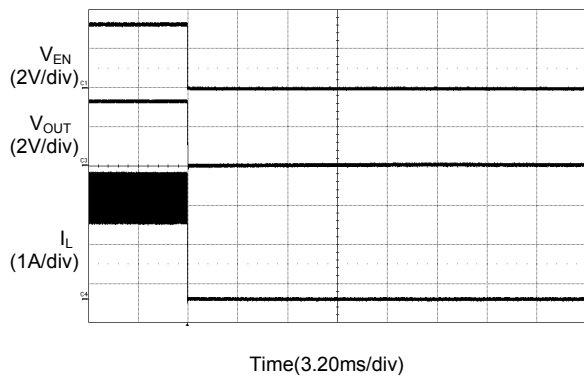


Figure 12. Power Off from EN ($I_{OUT}=2.5A$)

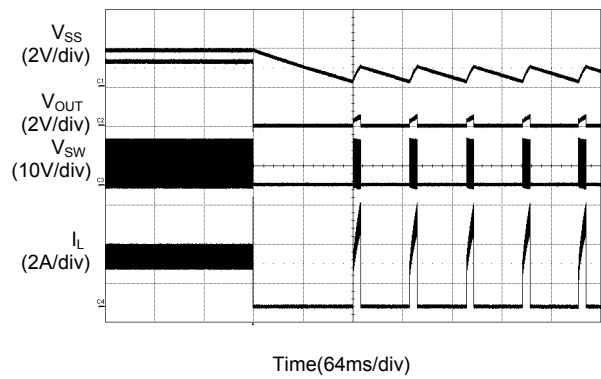


Figure 13. Short Circuit Protection ($I_{OUT}=2.5A$)

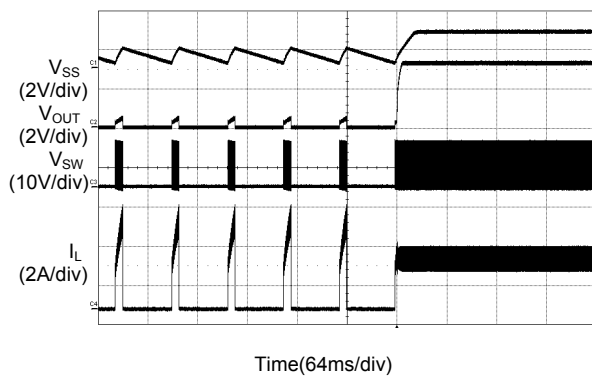


Figure 14. Short Circuit Protection Recovery ($I_{OUT}=2.5A$)

18V, 3A Synchronous DC-DC Buck Converter

AT5503

Typical Application

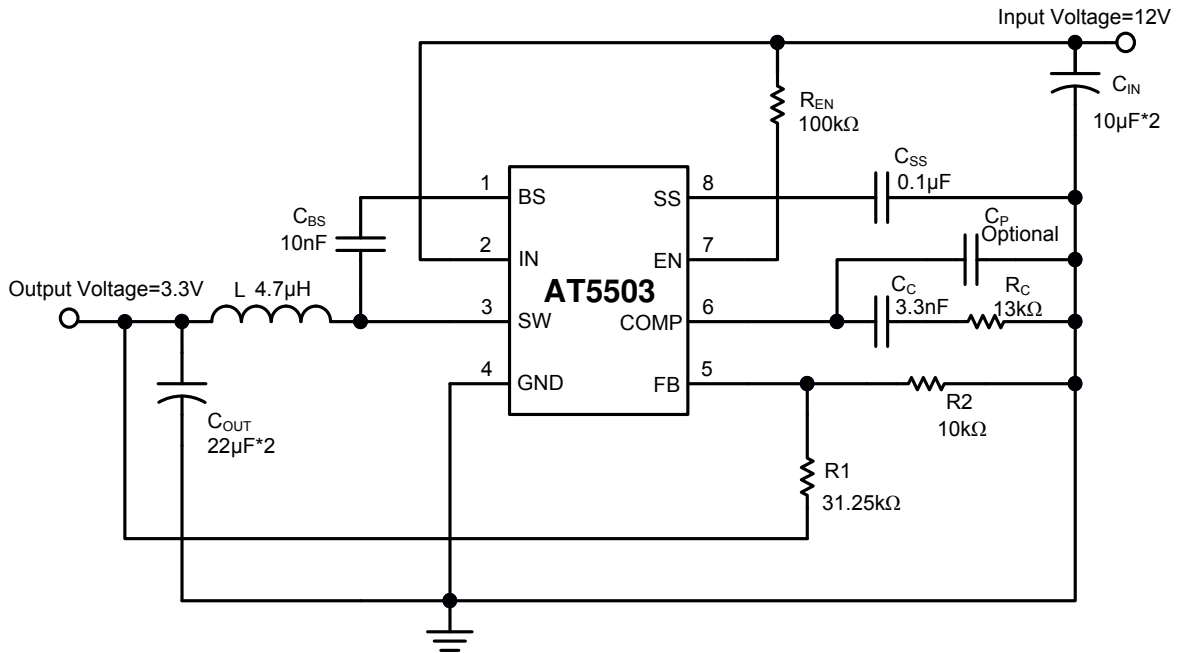


Figure 15. Typical Application Circuit of AT5503

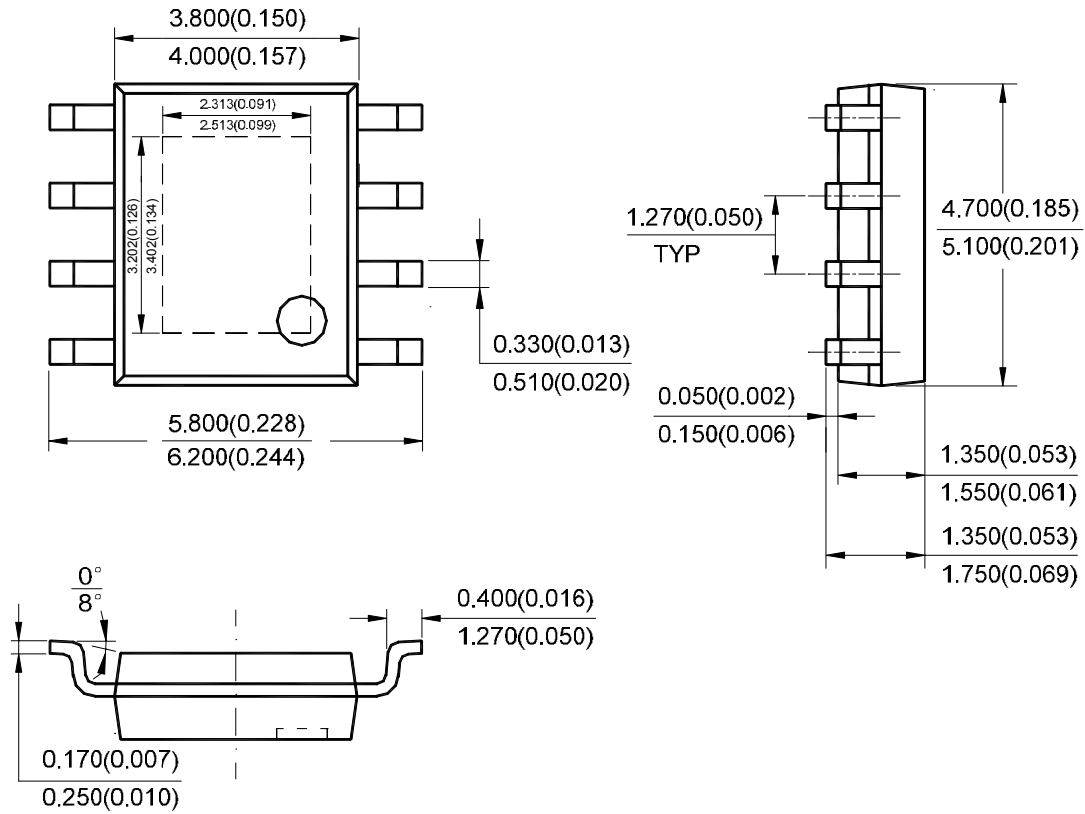
18V, 3A Synchronous DC-DC Buck Converter

AT5503

Mechanical Dimensions

PSOP-8

Unit: mm(inch)



Note: Eject hole, oriented hole and mold mark is optional.



BCD Semiconductor Manufacturing Limited

<http://www.bcdsemi.com>

IMPORTANT NOTICE

BCD Semiconductor Manufacturing Limited reserves the right to make changes without further notice to any products or specifications herein. BCD Semiconductor Manufacturing Limited does not assume any responsibility for use of any its products for any particular purpose, nor does BCD Semiconductor Manufacturing Limited assume any liability arising out of the application or use of any its products or circuits. BCD Semiconductor Manufacturing Limited does not convey any license under its patent rights or other rights nor the rights of others.

MAIN SITE

- Headquarters

BCD (Shanghai) Micro-electronics Limited

No. 1600, Zi Xing Road, Shanghai ZiZhu Science-based Industrial Park, 200241, P. R. C.
Tel: +86-021-2416-2266, Fax: +86-021-2416-2277

- Wafer Fab

Shanghai SIM-BCD Semiconductor Manufacturing Co., Ltd.

800 Yishan Road, Shanghai 200233, China
Tel: +021-6485-1491, Fax: +86-021-5450-0008

REGIONAL SALES OFFICE

Shenzhen Office

Shanghai SIM-BCD Semiconductor Manufacturing Co., Ltd., Shenzhen Office

Unit A Room 1203, Skyworth Bldg., Gaoxin Ave.1.S., Nanshan District
Shenzhen 518057, China

Tel: +86-0755-8660-4900, Fax: +86-0755-8660-4958

Taiwan Office (Taipei)

BCD Semiconductor (Taiwan) Company Limited

3F, No.17, Lane 171, Sec. 2, Jiu-Zong Rd., Nei-Hu Dist., Taipei(114), Taiwan, R.O.C
Tel: +886-2-2656-2808

Fax: +886-2-2656-2806/26562950

Taiwan Office (Hsinchu)

BCD Semiconductor (Taiwan) Company Limited

8F, No.176, Sec. 2, Gong-Dao 5th Road, East District
HsinChu City 300, Taiwan, R.O.C

Tel: +886-3-5160181, Fax: +886-3-5160181

USA Office

BCD Semiconductor Corp.

48460 Kato Road, Fremont, CA 94538, USA
Tel: +1-510-668-1950

Fax: +1-510-668-1990

Korea Office

BCD Semiconductor Limited Korea office.

Room 101-1112, Digital-Empire II, 486 Sin-dong,
Yeongtong-Gu, Suwon-city, Gyeonggi-do, Korea

Tel: +82-31-695-8430