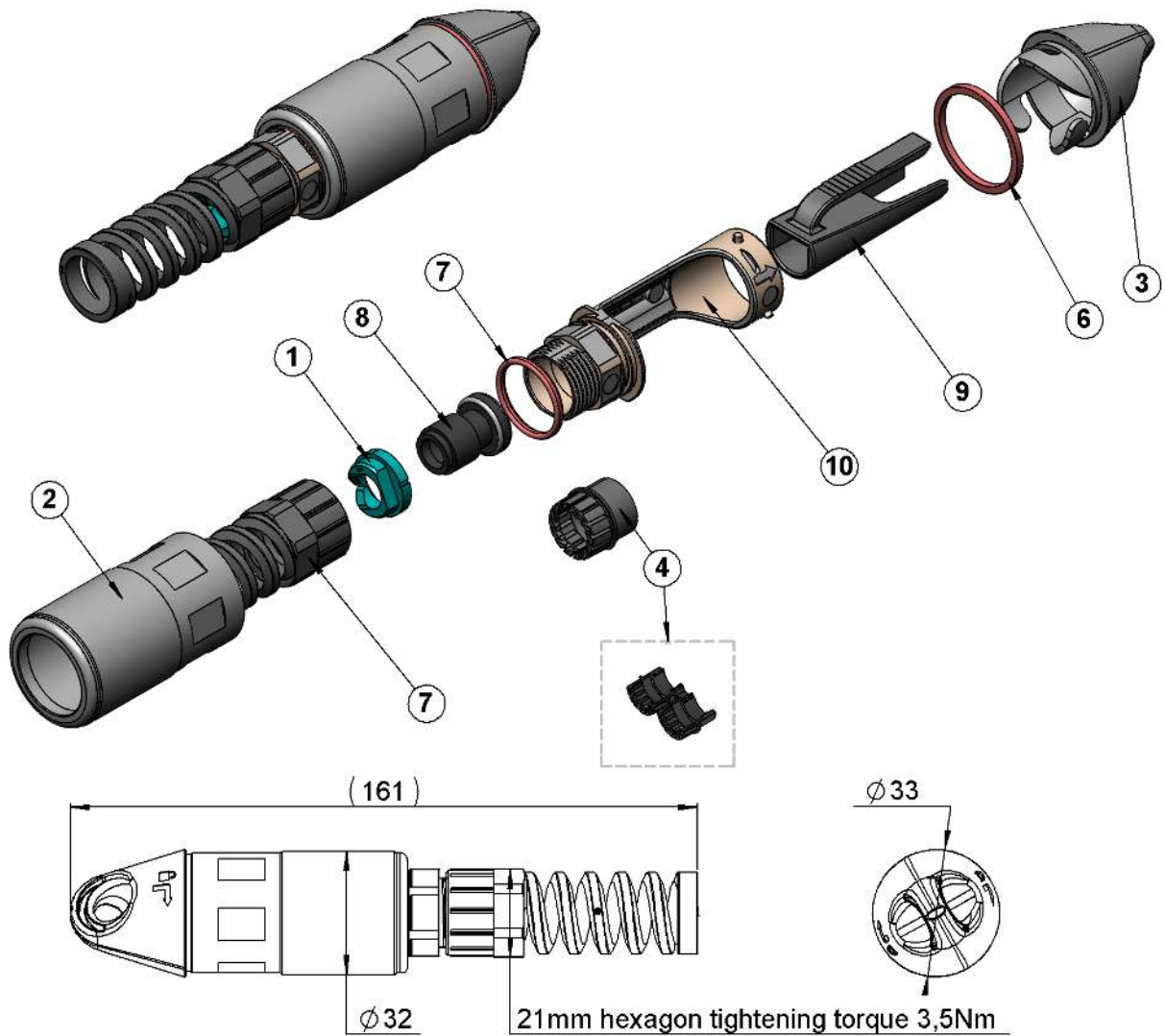


PAGE 1/2	ISSUE 19-03-15B	SERIES R2CT	PART NUMBER R2CT127001
----------	-----------------	-------------	------------------------

Dimensions in mm



DESCRIPTION

REP	COMPONENT	MATERIALS	PLATING
1	TIGHTENING CONE	PA6.6	NA
2	COUPLING NUT	ALUMINIUM	NONE
3	PLUG PROTECTION CAP	PBT GF	NA
4	CLAMP NUT ELASTIC SHELL	PA6.6	NA
5	NUT TAIL OF PIG	PA6.6 GF	NA
6	SEALING CAP GASKET	SILICONE	NA
7	O-RING BODY GASKET	SILICONE	NA
8	CLAMP GASKET	NITRILE (NBR)	NA
9	UNLOCKING CLIP	PA6	NA
10	SHORT BODY	ZAMAK 5	NICKEL OVER COPPER

PAGE 2/2	ISSUE 19-03-15B	SERIES R2CT	PART NUMBER R2CT127001
----------	------------------------	--------------------	-------------------------------

Dimensions in mm

GENERAL CHARACTERISTICS

Mechanical Mating endurance Tensile load Vibration Bumps	IEC 61300-2-2 IEC 61300-2-4 IEC 60512-6-4 IEC 60068-2-29	200 cycles 200N at 3.5N.m tightening torque Compliant Compliant
Environmental Protection class Operating temperature RoHS Salt Mist static	IEC 60529 IEC 61300-2-22 - IEC 60068-2-11	IP65 -40°C to +85°C Compliant 96h
Compatibility	Cable range diameter from 6.5mm to 7.1mm	
Packaging	Unitary in plastic bag (180mm*130mm) with assembly note	