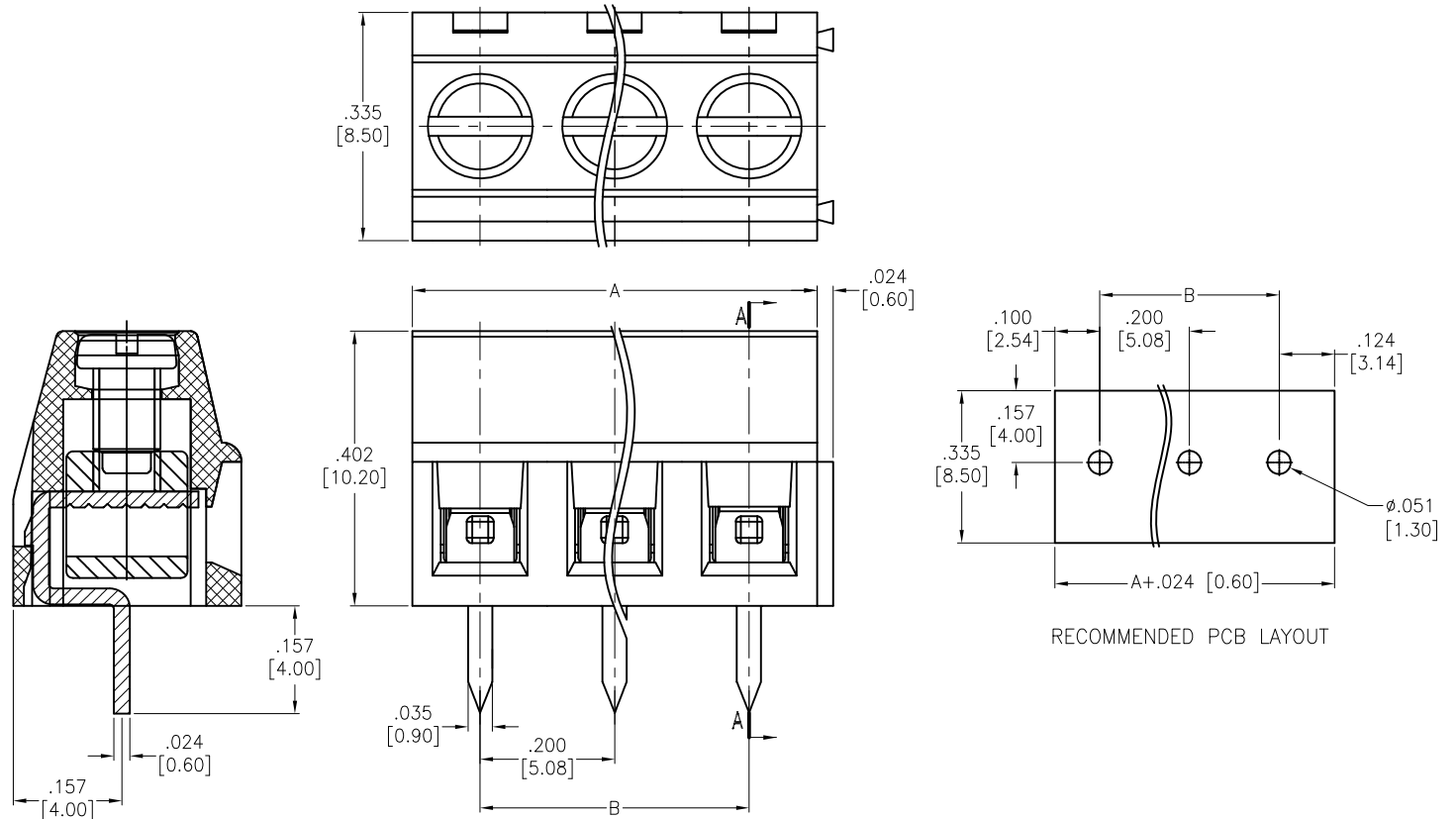


APPROVED: \_\_\_\_\_  
 DATE: \_\_\_\_\_ TITLE: \_\_\_\_\_

Rev	AWO #	Description	Date	Appr
-		RELEASED	1/17/14	
A		REVISED SHAPE	6/26/14	AY/SY
B		UPDATE SPEC.	7/30/18	AY/RC1



**SPECIFICATIONS:**

**Material:**  
 Insulator: PA66, rated UL 94V-0  
 Insulator color: Green  
 Screw: M2.5, Steel, Zinc plated.  
 Contact: Brass, Tin plated.  
 Cage: Brass, Nickel plated.

**Electrical:**  
 Voltage rating: 300V  
 Current rating: 8A  
 Contact Resistance: 20 mohms max.  
 Insulation resistance: 500 Mohms min @DC 500V  
 Dielectric withstanding voltage: 2000 VAC for 1 minut

**Mechanical:**  
 Torque: 0.4Nm(3.6lb-in)  
 Wire Range: 26-16 AWG 1.5mm<sup>2</sup>  
 Wire strip length: 5~6mm

**Environmental:**  
 -40°C to +105°C

**Environmental:**  
 Lead free, RoHS compliant.



Poles: 2 thru 24  
 A = .200 [5.08] X No. of Positions  
 B = .200 [5.08] x No. of Spaces

UNLESS OTHERWISE SPECIFIED ALL DIMENSIONS ARE INCHES [MM] TOLERANCES: EXCEPT AS NOTED INCHES HOLES .X ± .10 Ø.X ± .10 .XX ± .020 Ø.XX ± .015 .XXX ± .015 Ø.XXX ± .010		<b>ADAM TECH</b> INTERCONNECTS		909 Rahway Avenue, Union, NJ 07083 Phone: 908-687-5000 Fax: 908-687-5710	
APPROVALS		DATE		TITLE	
DRAWN	AY	1/17/14		EURO BLOCK, .200 [5.08] PITCH	
CHECKED	SY	1/17/14		SIZE	PART NO.
APPROVED				X	EB21A-XX-D
		REF:	S00067C	SCALE:	NTS
				SHEET	1 OF 1

6 5 4 3 2 1

6 5 4 3 2 1