

1

2

3

4

A

B

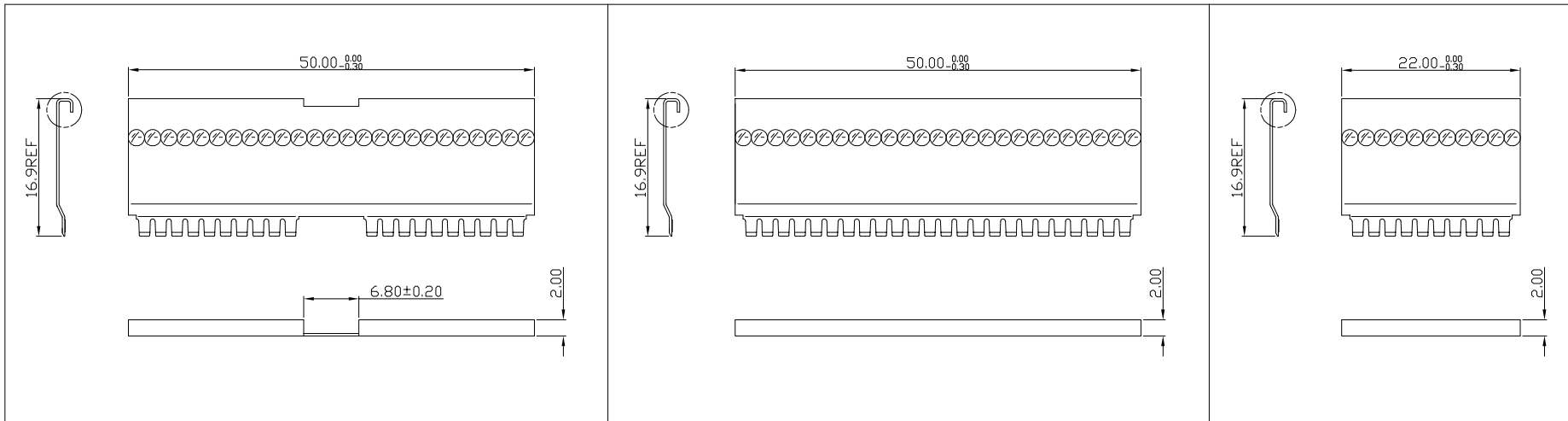
C

D

HM2SC22A8LF

HM2SC25A8LF

HM2SC11A8LF



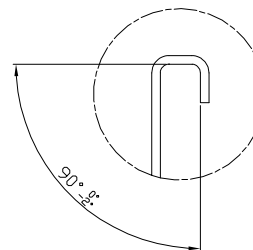
NOTES:

- 1. MAKE SURE TO USE THE ACCORDING SHIELDING COVER FOR THE FEMALE CONNECTORS:
 HM2SC22A8LF FOR TYPE D (8+2 ROW CONN.)
 HM2SC25A8LF FOR TYPE E (8+2 ROW CONN.)
 HM2SC11A8LF FOR TYPE F (8+2 ROW CONN.)

2. PCB RANGE : 1.4 - 2.7 mm MAX.

3. THIS PRODUCT (LF) MEETS EUROPEAN UNION DIRECTIVES AND OTHER COUNTRY REGULATIONS AS DESCRIBED IN GS-22-008

DETAIL



Tous droits strictement reserves. Reproduction ou communication a des tiers interdite sous quelque forme que ce soit sans autorisation ecrite du Proprietaire. Propriete de c FCI. Droits de reproduction FCI.



All rights strictly reserved. Reproduction or issue to third parties in any form whatever is not permitted without written authority from the proprietor. Property of FCI. Copyright FCI.

rev	ecn no	dr	date
A	CONVERSION REV 04	KN	24-09-01
B	B10074	MF	24-10-01
C	EC B30061	MF	27-03-03
D	DG05-0381	Kason	10-10-05

www.fciconnect.com		<input checked="" type="checkbox"/>	tolerance 1DEC ±0.2 1DEC 2DEC ±0.1 2DEC ANGLES ±1° HOEKEN	projection 	← MM →			
Dr	M.Fret	07-04-98	Product family	MILLIPICS	size	A4	Scale	2/1
Eng			Spec ref		ECN			
Chr			Material					
Appr								
title MPACS 8+2R RA RCP SHIELDING COVER				dwg no BS,C ,201578,007	Rev. D			
catalog no HM2SC--A8LF			CUMSTOMER	sheet 1 of 1				

1

2

3

PDM: Rev:D

STATUS:Released

Printed: Mar 15, 2011