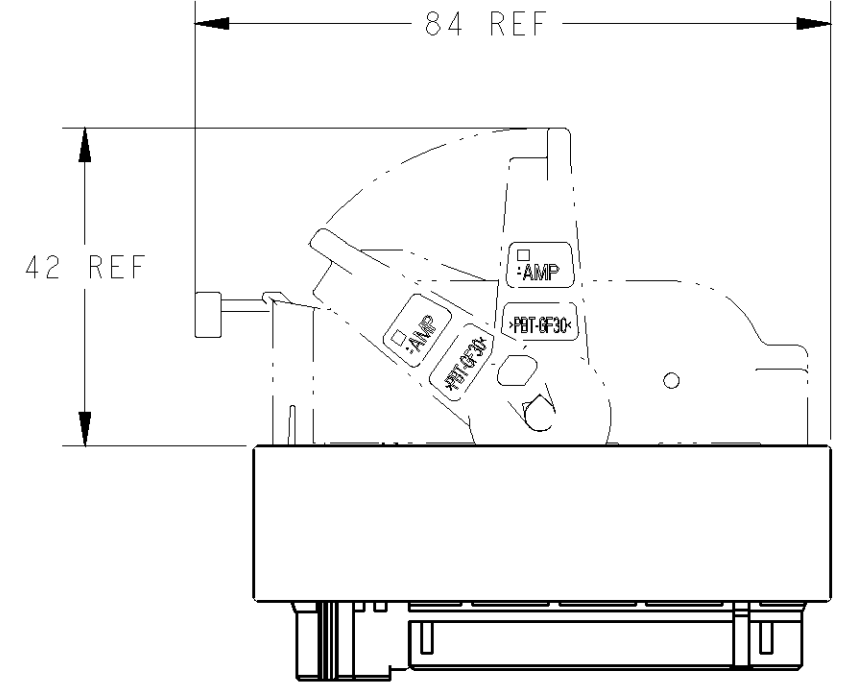
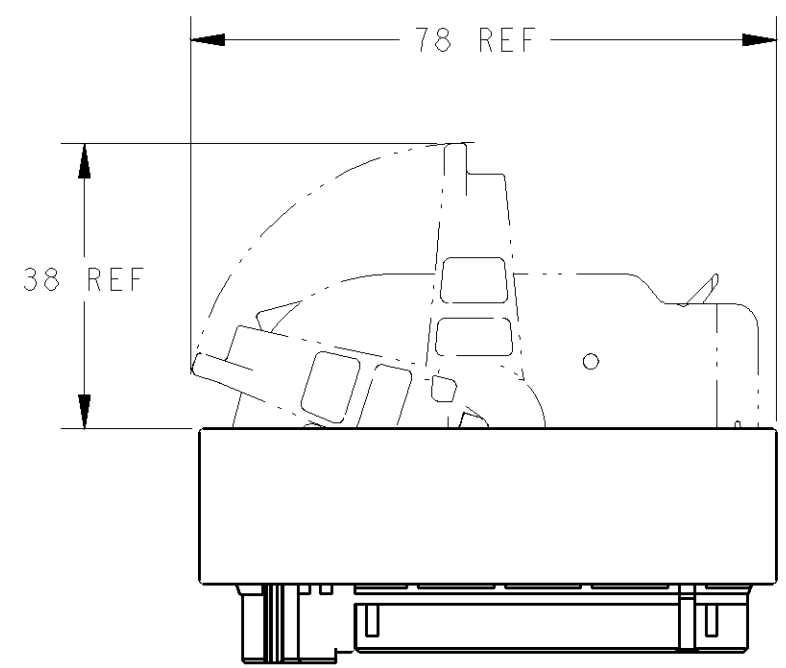
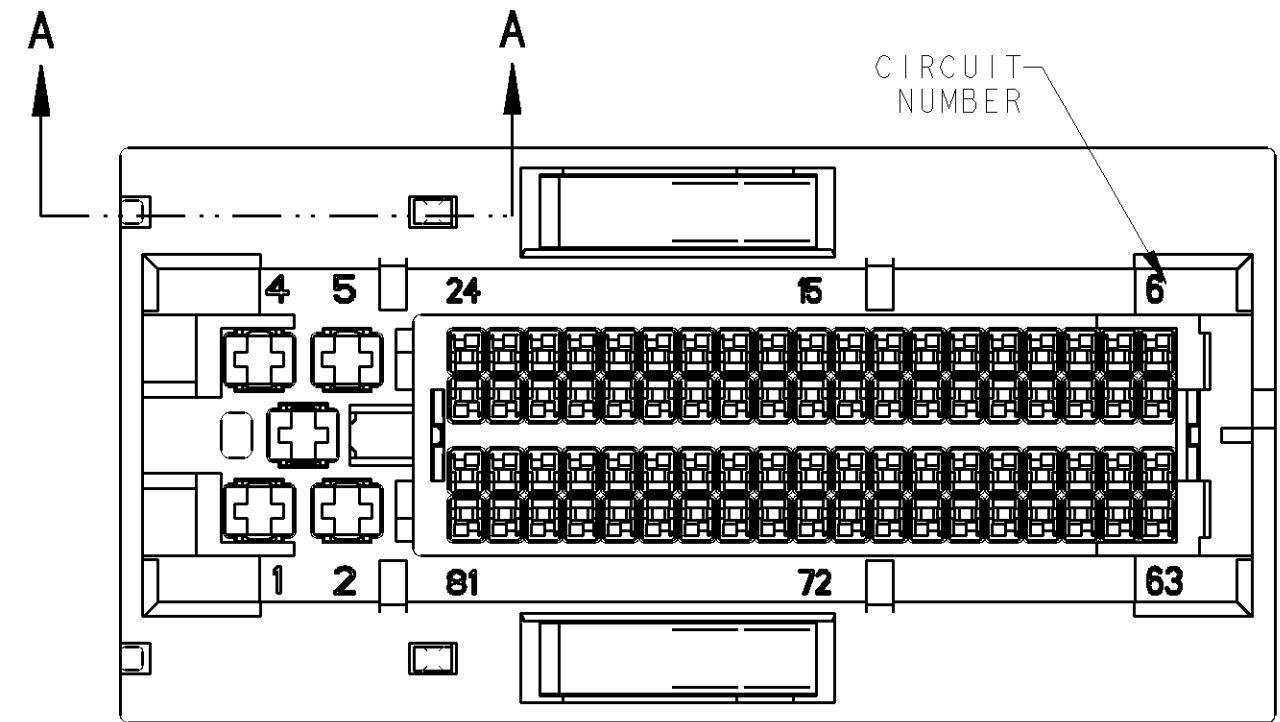


THIS DRAWING IS UNPUBLISHED. RELEASED FOR PUBLICATION
 © COPYRIGHT 20 BY TYCO ELECTRONICS CORPORATION. ALL RIGHTS RESERVED.

REVISIONS						
REV	DATE	DESCRIPTION	ECN	DATE	DWN	APVD
0	28-Jul-04	RELEASE	FJA0-0489-04	28-Jul-04	S.Y	Y.F
A	2004OCT27	REVISE	FJA0-0771-04	2004OCT27	S.Y	Y.F
B	15APR2010	REVISED	ECR-10-007503	15APR2010	TS	KB



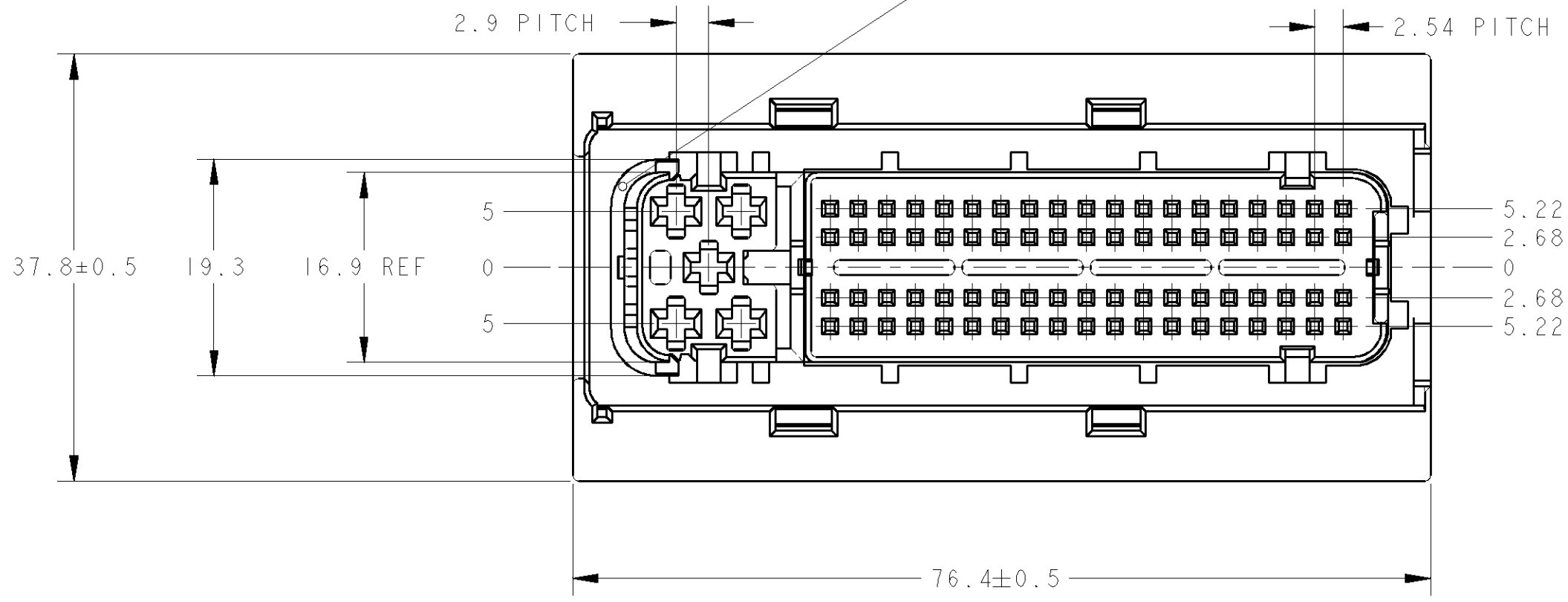
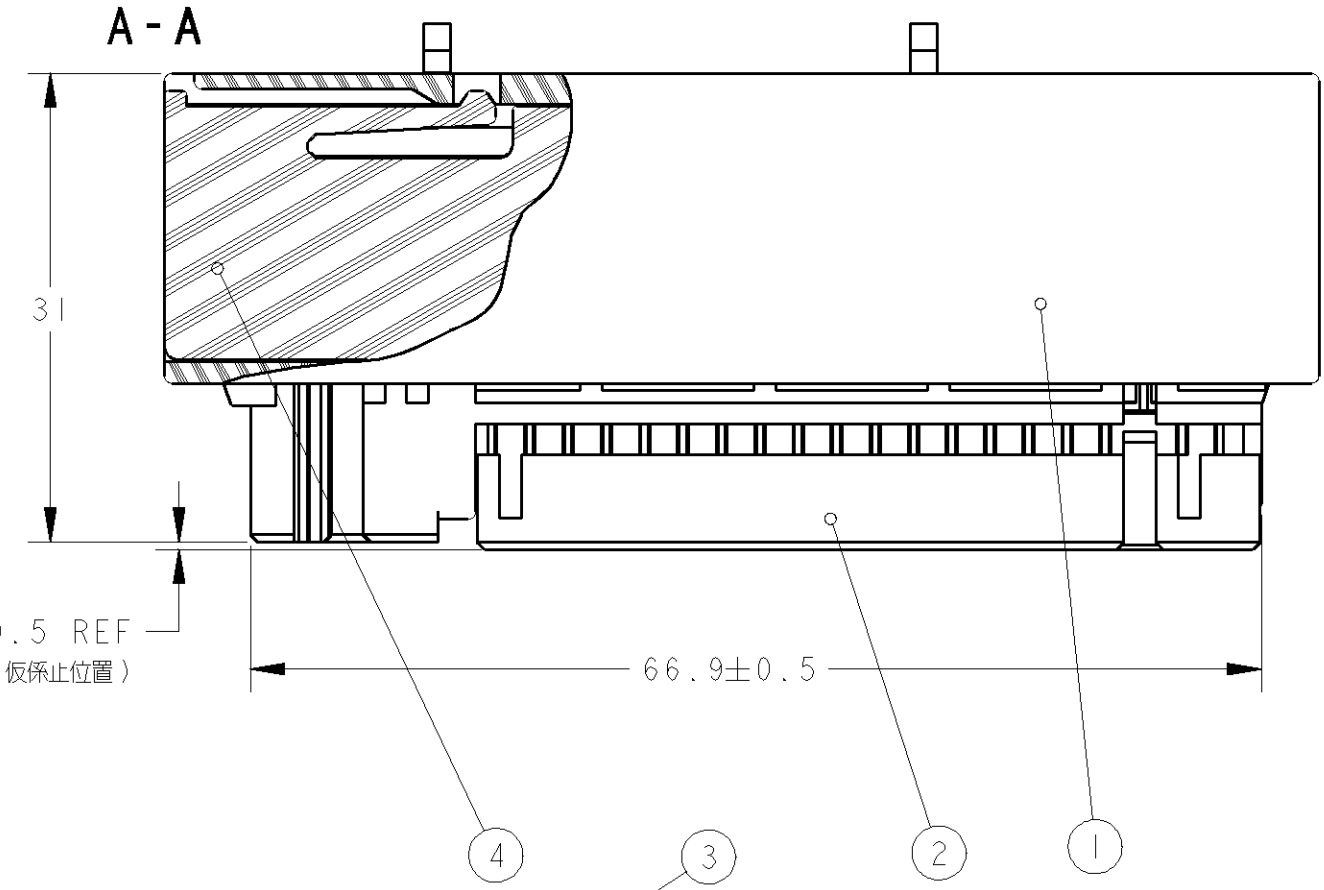
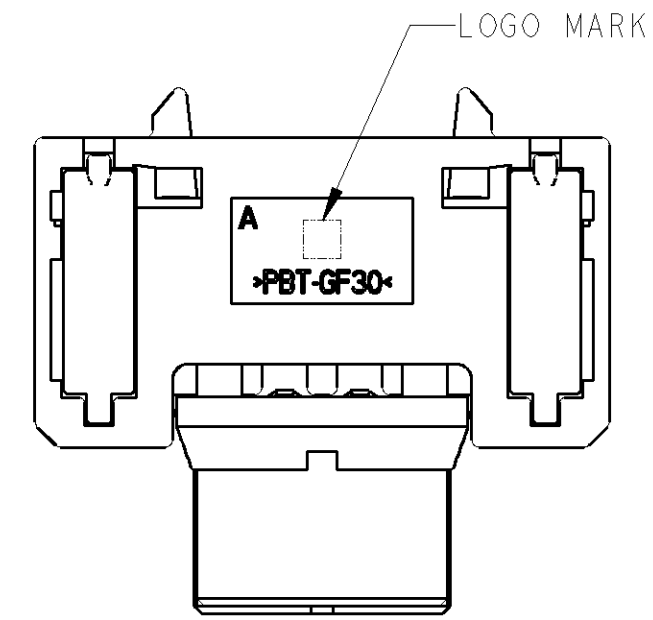
SCALE 1:1 LEVER ASSEMBLY "TYPE-B" P/N:1473250-1
 SCALE 1:1 LEVER ASSEMBLY "TYPE-A" P/N:1473247-1

1. THIS CONNECTOR IS UNSEALING SPECIFICATION.
2. PART NUMBER OF LEVER ASSEMBLY TO BE APPLIED: 1473247-1, 1473250-1
3. APPLIED RECEPTACLE CONTACT: SEE TABLE
4. PART NUMBER OF CAP ASSEMBLY TO BE MATED: 1241434-1
5. INSTRUCTION SHEET NUMBER: 411-78142

1. 本コネクタは、非防水仕様である。
2. 適用レバーアセンブリ型番は、PN 1473247-1, 1473250-1
3. 適用端子は、表参照
4. 嵌合相手型番は、PN 1241434-1
5. 取扱説明書：411-78142

INSULATION DIA	1.1~1.4	1.4~1.9	1.4~2.1	2.2~3.0
WIRE SIZE(mm SQUARE)	0.22~0.35	0.5~0.75	0.5~1.0	1.0~2.5
PART NUMBER	1393367-1	1393366-1	1-968849-1	1-968851-1
RECEPTACLE CONTACT	GET(TIN PLATING)		2.8MCP(TIN PLATING)	

NO	NAME	MATERIAL	COLOR	NO
2	SLIDER	PA	BLACK	4
1	2.8 RETAINER	PBT	NATURAL	3
1	0.64 RETAINER	PBT	GRAY	2
1	81POS PLUG HOUSING	PBT	BLACK	1



THIS DRAWING IS A CONTROLLED DOCUMENT FOR TYCO ELECTRONICS CORPORATION. IT IS SUBJECT TO CHANGE AND THE CONTROLLING ENGINEERING ORGANIZATION SHOULD BE CONTACTED FOR THE LATEST REVISION.

DIMENSIONS: 単位: 稀 (mm)
 TOLERANCES UNLESS OTHERWISE SPECIFIED:
 一般公差 ±0.3
 0-PLC ±
 1-PLC ±
 2-PLC ±
 3-PLC ±
 4-PLC ±
 ANGLES ±3°00'
 MATERIAL 材料 SEE TABLE
 FINISH 仕上 SEE TABLE

DWN S. YOKOZeki 28-Jul-04
 CHK Y. NOGUCHI 28-Jul-04
 APVD Y. FUJIWARA 28-Jul-04
 PRODUCT SPEC 108-5977
 APPLICATION SPEC 114-13060/114-18148
 WEIGHT 36.5g

Tyco Electronics Corporation
 Kawasaki, Japan
 NAME: PLUG HOUSING ASSY UNSEALED 81POS PLUG GET/2.8MCP
 SIZE: A2 CAGE CODE: 00779 DRAWING NO: 1746778
 RESTRICTED TO: ---
 SCALE: 2:1 SHEET 1 OF 1 REV B