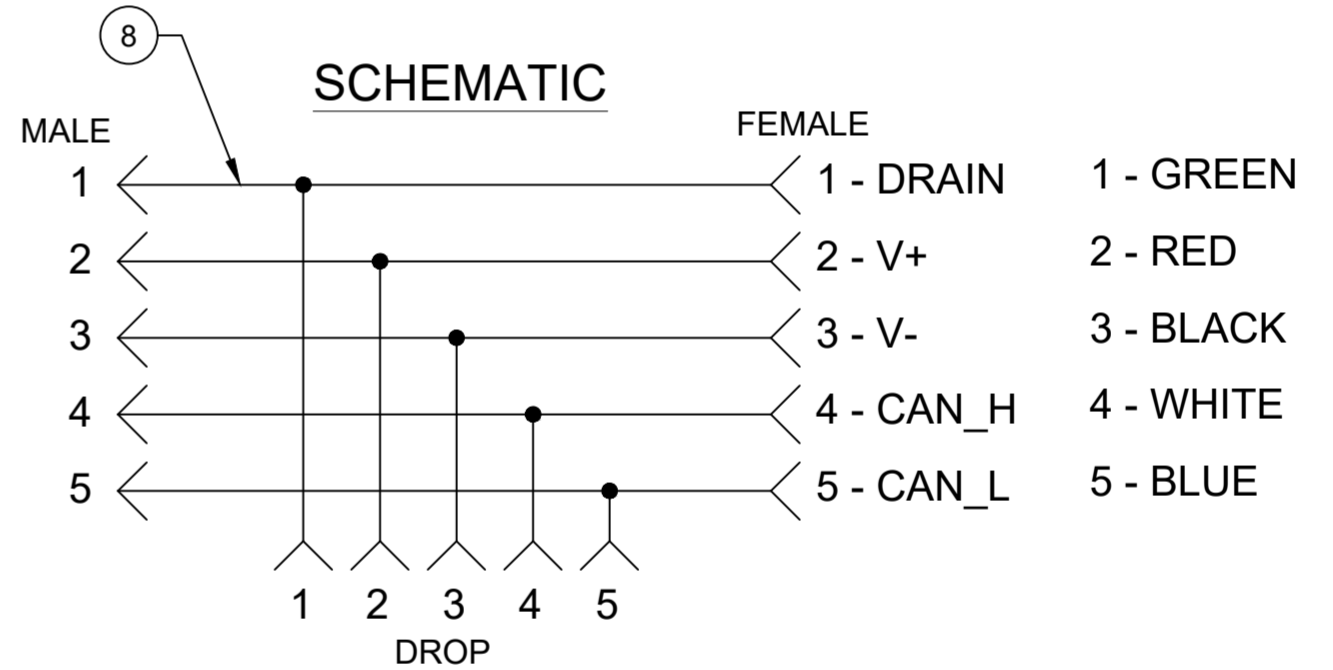
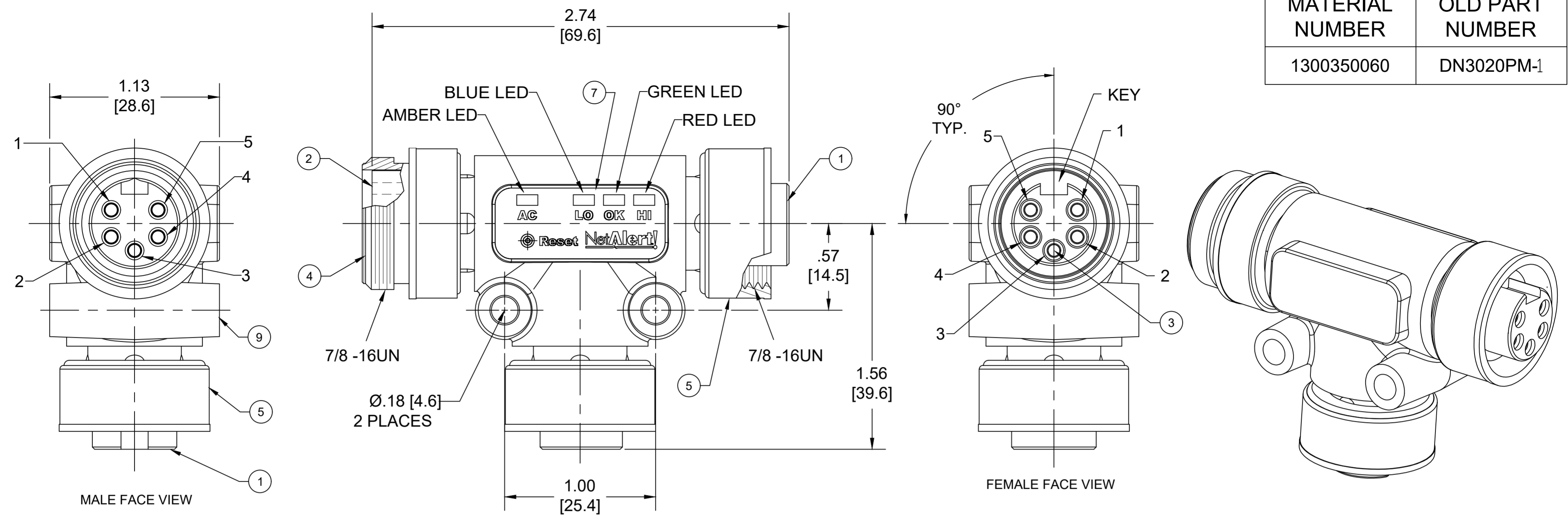


MATERIAL NUMBER	OLD PART NUMBER
1300350060	DN3020PM-1



- NOTES:
- MATERIAL: AS NOTED
 - FINISH: AS NOTED
 - ELECTRICAL:
VOLTAGE RATING: 30VDC (D1)
CURRENT: 8A
 - TEMP RATING: -20° TO +105°C
 - PROTECTION: IP67 (WHEN MATED)
 - COUPLING THREAD- AS NOTED
 - UL RECOGNIZED FILE: E152210
 - ALL DIMENSIONS ARE FOR REFERENCE UNLESS TOLERANCED OR NOTED OTHERWISE

LED FUNCTIONALITY:

- SOLID GREEN LED = BUS VOLTAGE >12.90 AND <=24.78
- FLASHING GREEN LED = BUS VOLTAGE WITHIN LIMITS OF SOLID GREEN OPERATION, BUT POWER HAS BEEN CYCLED WITHIN PREVIOUS 24 HRS
- FLICKERING RED LED = BUS VOLTAGE >24.78 (GREATER THAN 25.3 TO GUARANTEE DETECTION)
- FLASHING RED LED = BUS VOLTAGE >24.78 (25.3) WITHIN PREVIOUS 24 HRS
- FLICKERING BLUE LED = BUS VOLTAGE <12.90 (12.4)
- FLASHING BLUE LED = BUS VOLTAGE <12.90 (12.4) WITHIN PREVIOUS 24 HRS
- FLICKERING AMBER LED = BUS VOLTAGE HAS A REPEATED TRANSIENT VOLTAGE (BETWEEN 10Hz AND 250Hz) PRESENT THAT EXCEEDS THE DETECTION THRESHOLD (THRESHOLD LEVEL VARIES BY FREQUENCY)
- FLASHING AMBER LED = BUS VOLTAGE HAS EXPERIENCED A TRANSIENT OR RIPPLE AS SPECIFIED FOR FLICKERING AMBER CONDITION WITH PREVIOUS 24 HRS}

9	OVERMOLD	TPC	GRAY
8	WIRE, 18AWG, UL 1015	PVC INSULATION	SEE SCHEMATIC
7	D-NET TEE LENS ASSY.	POLYCARBONATE	CLEAR
6	CONTACT SOCKET	COPPER ALLOY	GOLD PLATED
5	COUPLING NUT INT. THD	ZINC DIE-CAST	BLACK E-COAT
4	COUPLING NUT EXT. THD	ZINC DIE-CAST	BLACK E-COAT
3	CONTACT PIN/SOCKET	COPPER ALLOY	GOLD PLATED
2	MALE INSERT 5P	TPE	BLACK
1	FEMALE INSERT 5P	TPE	BLACK
ITEM	DESCRIPTION	MATERIAL	FINISH

FUNCTIONAL SYMBOLS	THIS DRAWING CONTAINS INFORMATION THAT IS PROPRIETARY TO MOLEX ELECTRONIC TECHNOLOGIES, LLC AND SHOULD NOT BE USED WITHOUT WRITTEN PERMISSION		
	DIMENSION UNITS	SCALE	CURRENT REV DESC: ELECTRICAL SPECS CHANGED BACK TO 30VDC, 8A
E=0	INCH/MM	NTS	EC NO: 697910
	GENERAL TOLERANCES (UNLESS SPECIFIED)		
E=0			CHK'D: MZIELINSKI 2022/03/15
			APPR: BWOODMAN 2022/03/18
E=0			INITIAL REVISION:
			DRWN: BWOODMAN 2009/08/21
DIVISIONAL SYMBOLS			APPR: JFMURPHY 2009/08/27
ANGULAR TOL ± --- °		THIRD ANGLE PROJECTION	DRAWING SERIES
DRAFT WHERE APPLICABLE MUST REMAIN WITHIN DIMENSIONS			C-SIZE 130035
DOCUMENT STATUS P1		RELEASE DATE 2022/03/18 22:35:30	DOCUMENT NUMBER SD-130035-005
			DOC TYPE/DOC PART REVISION PSD 001 D1
			MATERIAL NUMBER CUSTOMER SHEET NUMBER
			SEE CHART GENERAL MARKET 1 OF 1