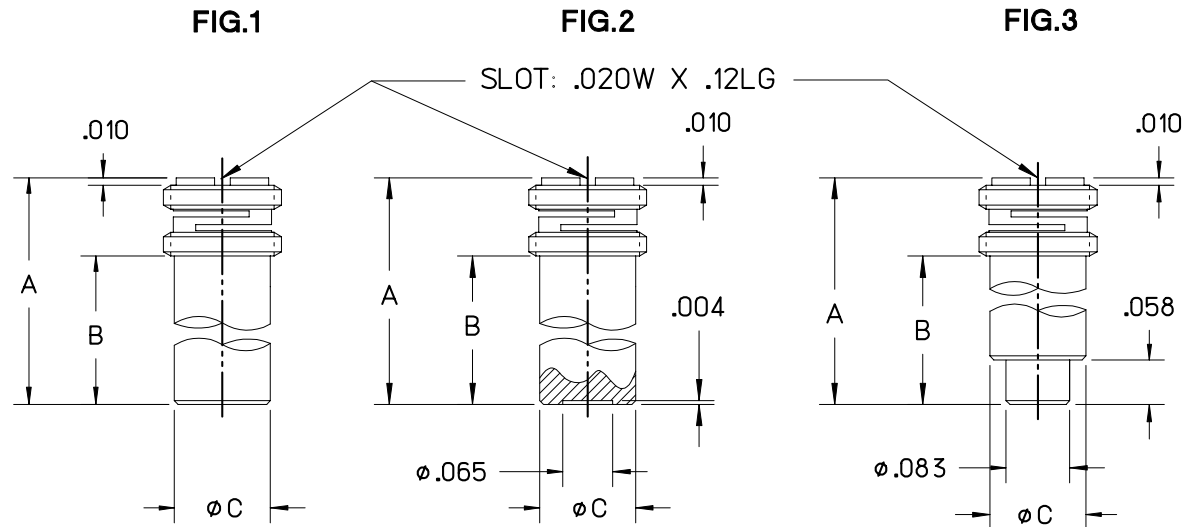


MI DRG. NO.

L6996-#M(SH1)

REV.

L6996 DASH
NO.**M****TUNING ROTOR**

NOTE: TYPICAL THREAD SIZE, 5/32(.156)-64 UNS-2A

PART NO.	FIG.	A ^{+0.000} _{-.020}	B	C
L6996-0	1	.227	.125	.062
L6996-1	1	.250	.148	.125
L6996-2	1	.380	.278	.125
L6996-3	1	.552	.450	.125
L6996-4	1	.125	.023	.125
L6996-5	1	.295	.193	.125
L6996-6	1	.180	.078	.125
L6996-7	2	.117	.015	.125
L6996-8	1	.192	.090	.125
L6996-9	3	.250	.148	.125
L6996-11	1	.432	.330	.125
L6996-12	1	.190	.088	.062
L6996-13	1	.470	.368	.125
L6996-16	1	.168	.066	.125
L6996-17	1	.148	.046	.125

SPECIFICATIONS

FILE: AIROUT

PRE-TORQUED AND LUBRICATED THREADS

FINISH

JOHANSON STANDARD
CHROMATE CONVERSION

MOUNTING

JMC TAP P/N 7059
(.156-64 UNS-2)

BRASS STRUCTURE

APPLICATIONS:

FOR HIGH Q VARIABLE REACTANCE TUNING
OF MICROWAVE CAVITIES, FILTERS, AND
OTHER RESONANT STRUCTURES

M	01/26/04	MLD	-	-	000073
LEVEL	DATE	DRN.	CHK.	APP.	ECN

REVISIONS

DRN.	CHK.	APP.	SCALE
MLD	RJV	JHT	4" = 1"
DATE	DATE	DATE	.XX ± .015
01/26/04	02/02/04	02/04/04	.XXX ± .005

**JOHANSON MANUFACTURING CORPORATION**ROCKAWAY VALLEY ROAD, BOONTON, N.J. 07005 (973)334-2676 FAX (973)334-2954
ELECTRONIC ACCURACY THROUGH MECHANICAL PRECISION

PROPRIETARY INFORMATION CONTAINED NOT TO BE USED WITHOUT JOHANSON MANUFACTURING CORPORATION APPROVAL