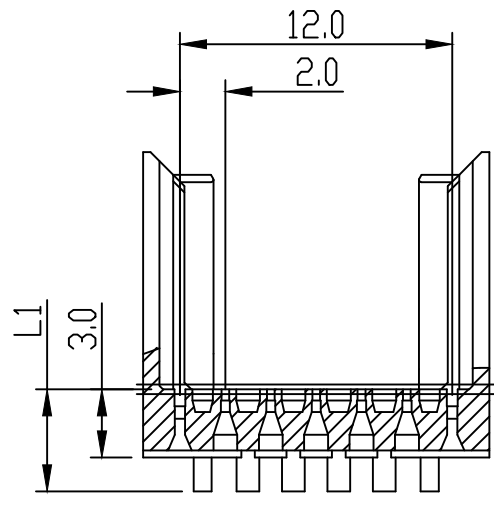
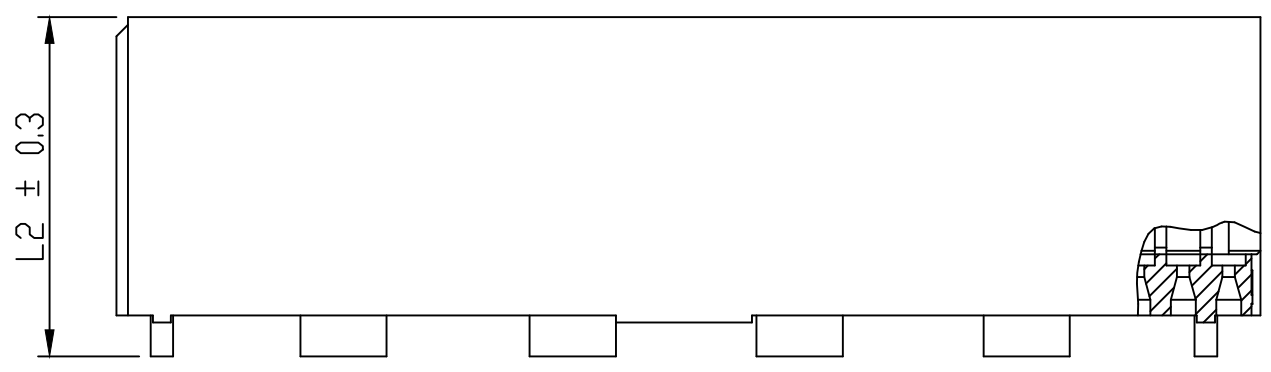
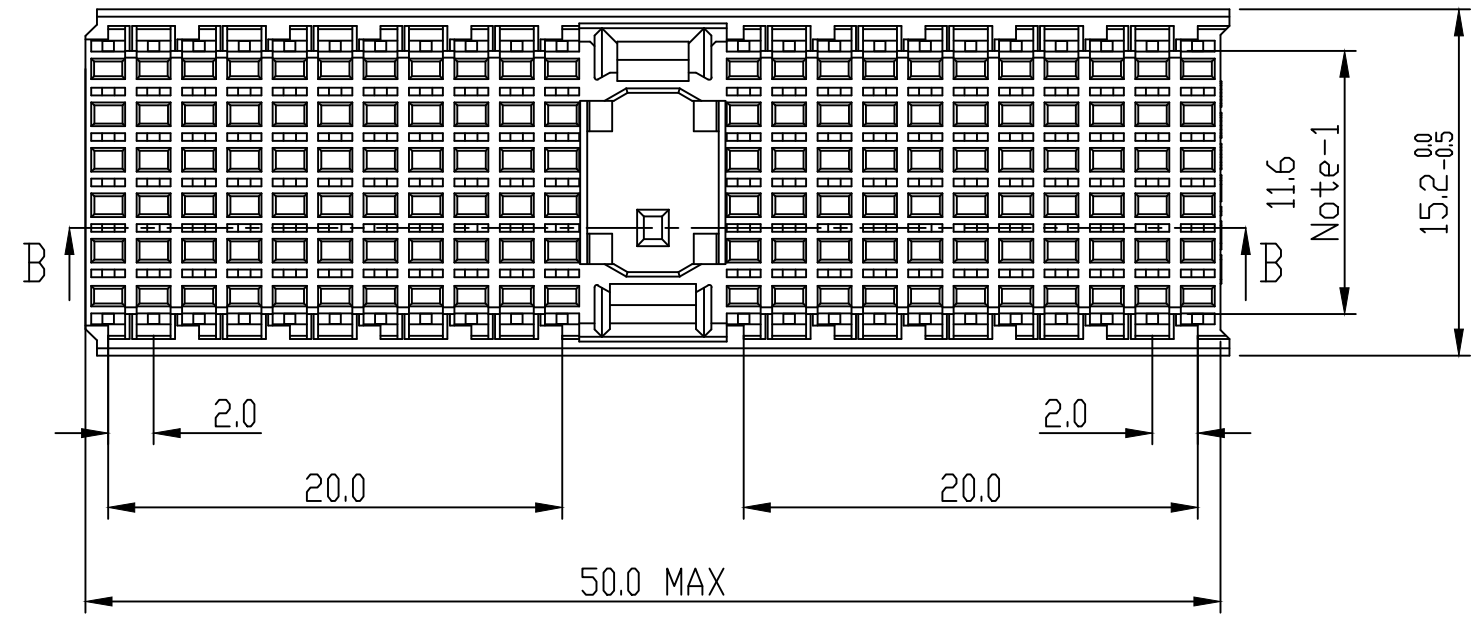


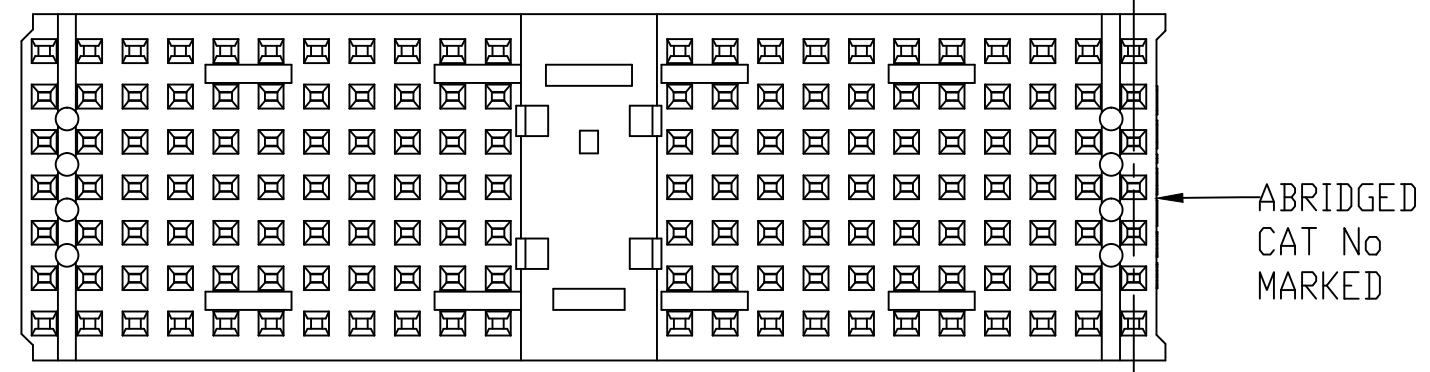
NOTES:

- 1. MEASURED AT THE BOTTOM
- 2. MATERIAL : GLASS REINFORCED POLYESTER UL94-V0
- 3. THIS PRODUCT MEETS EUROPEAN UNION DIRECTIVES AND OTHER COUNTRY REGULATIONS AS DESCRIBED IN GS-47-0004
- 4. PARTS WITH AND WITHOUT SUFFIX LF TO THE PRODUCT PART NUMBER ARE IDENTICAL IN FORM , FIT AND FUNCTION LF SUFFIX IS ADDED TO THE PART NUMBER OF THIS PRODUCT TO HAVE UNIFORM IDENTIFICATION OF ALL RoHS COMPATIBLE PRODUCTS



RoHS COMPATIBLE (DIGIT 11 & 12)  
 HM2HN1P2--LF  
 STANDOFF HEIGHT INDICATOR

CAT. NO.	L1	L2	
HM2HN1P2LF	3.0	13.45	AVAILABLE
HM2HN1P209LF	3.9	14.35	AVAILABLE
HM2HN1P211LF	4.1	14.55	NOT AVAILABLE
HM2HN1P213LF	4.3	14.75	NOT AVAILABLE
HM2HN1P215LF	4.5	14.95	AVAILABLE
HM2HN1P217LF	4.7	15.15	AVAILABLE
HM2HN1P219LF	4.9	15.35	AVAILABLE
HM2HN1P222LF	5.2	15.65	AVAILABLE
HM2HN1P230LF	6.0	16.45	AVAILABLE



mat'l. code		surface ISO 1302	tolerance ISO 406 ISO 1101	projection	product family MILLIPACS
ltr	ecn no	dr	date	tolerances unless otherwise specified	title
A	105-0139	MINI	2005-08-10	angles linear	MPACS 5+2 ROW SHROUD STR HDR (TYPE-A) (15.4 MAX)
B	106-0099	MINI	2006-07-07	0°±1°	
C	107-0107	MINI	2007-08-31		scale -
D	ELX-I-18259	AKA	2014-07-09	dr	sheet 1 of 1 size 5
				enr	ALEX BABU 2005-03-08
				chr	ALEX BABU 2007-08-31
				appd	BIJU K PAUL 2007-08-31
sheet index	revision sheet	D	1		FCJ
					BS, C ,203028, 234 A3
					type Product Customer Drawing