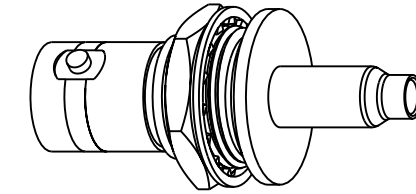


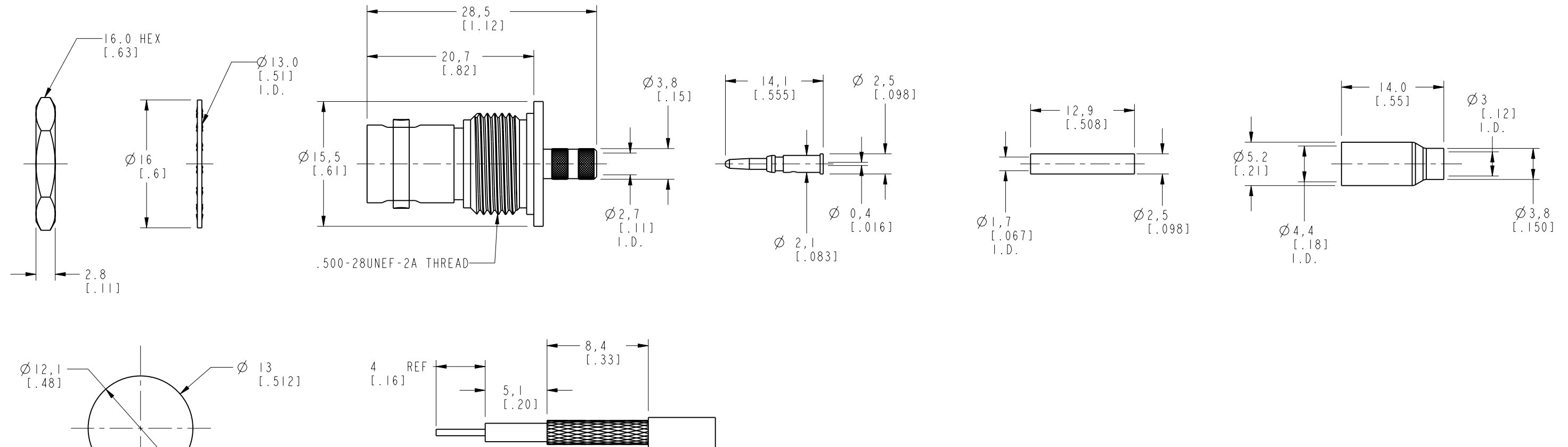
NOTE:

- MATERIALS OF CONSTRUCTION:  
 HOUSING, BODY, BARREL, FERRULE, & HEX NUT = BRASS (QQ-B-626), NICKEL PLATED  
 SLEEVE & INSULATORS (2) = DELRIN, COLOR NATURAL  
 CONTACT PIN = PHOSPHOR BRONZE, GOLD PLATED  
 LOCK WASHER = BRASS (QQ-B-613), NICKEL PLATED
- CRIMPED FERRULE: HEX CRIMP SIZE .178  
 CRIMPED CONTACT PIN: HEX CRIMP SIZE .068

31-5959-RFX		REVISIONS			
DRAWING NO.	REV	DESCRIPTION	DATE	ECO	APPR
THIRD ANGLE PROJ.	A	RELEASE TO MFG.	11/1/00	43581	CPM



SCALE 1.500



CUSTOMER OUTLINE DRAWING

ALL OTHER SHEETS ARE FOR INTERNAL USE ONLY

RECOMMENDED MOUNTING  
HOLE DIMENSIONS  
SCALE 2.000

RECOMMENDED CABLE  
STRIPPING DIMENSIONS  
SCALE 3.000

UNLESS OTHERWISE SPECIFIED, DIMENSIONS ARE IN INCHES AND TOLERANCES ARE: 0.5 - 6mm ±0.2mm      6 - 30mm ±0.4mm      30 - 120mm ±0.6mm	MATERIAL	DRAWN C. McGRATH	DATE 10/25/00	TITLE BNC BULKHEAD ISOLATED CRIMP JACK (RG-174/U, 188A/U, 316/U)	Amphenol Amphenol Corporation Communication and Network Products Division Danbury, CT U.S.A. 06810
	REFERENCE	ENGINEER T. AUBIN	DATE 10/25/00		
NOTICE - These drawings, specifications, or other data (1) are, and remain the property of Amphenol Corp. (2) must be returned upon request; and (3) are confidential and not to be disclosed to any person other than those to whom they are given by Amphenol Corp. The furnishing of these drawings, specifications, or other data by Amphenol Corp., or to any other person to anyone for any purpose is not to be regarded by implication or otherwise in any manner licensing, granting rights or permitting such holder or any other person to manufacture, use or sell any product, process or design, patented or otherwise, that may in any way be related to or disclosed by said drawings, specifications, or other data.		APPROVED O. BARTHELME	DATE 11/1/00	SCALE: 2.0:1	SHEET 2 OF 2
		CAD FILE I:\BNC\31-5959-RFX	CODE ID 74868	DWG SIZE B	DRAWING NO. 31-5959-RFX