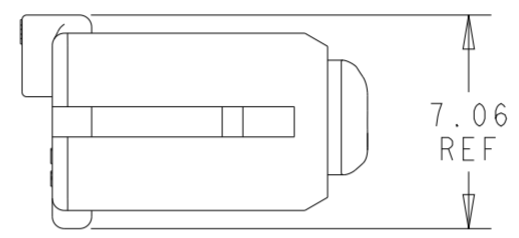
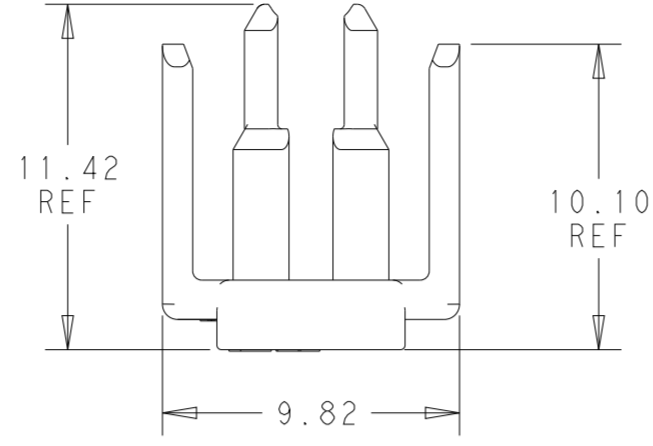
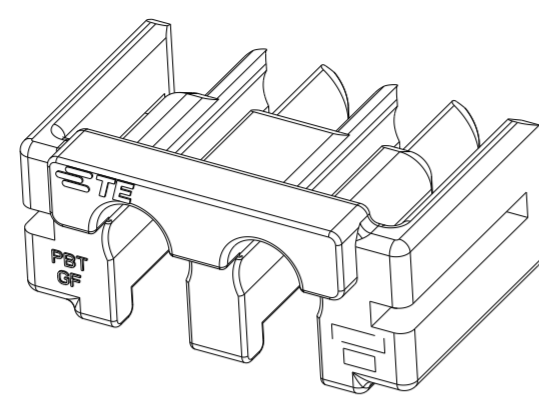
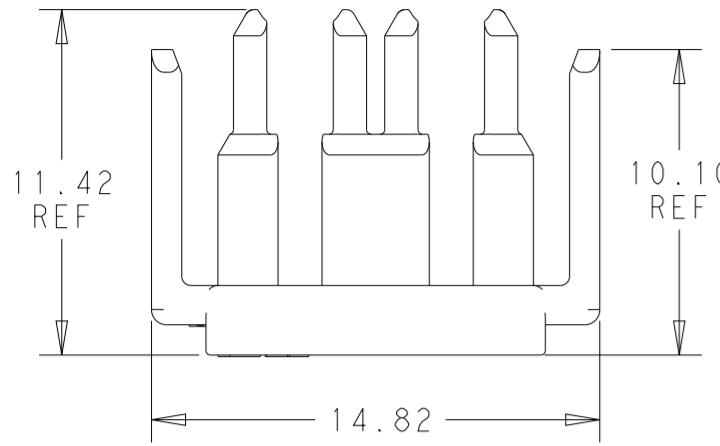
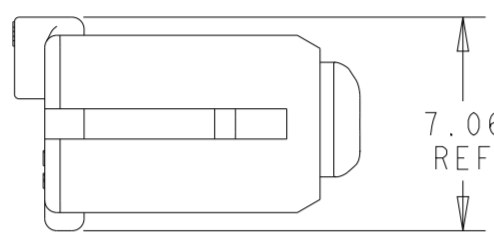


THIS DRAWING IS UNPUBLISHED. RELEASED FOR PUBLICATION 2018
 © COPYRIGHT 2018 BY - ALL RIGHTS RESERVED.

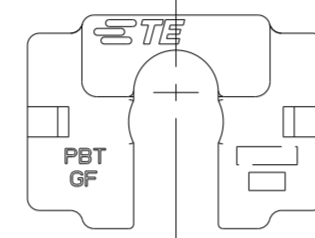
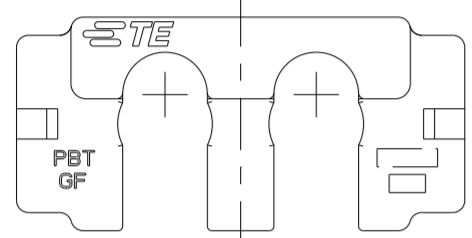
REVISIONS					
P	LTR	DESCRIPTION	DATE	DWN	APVD
9		NOTES ADDED	27MAR2019	BKW	CY
10		1 POSITION ADDED	07OCT2020	BKW	DS
11		DFM RELATED MINOR CHANGE	20JUL2021	BKW	DS
A		REVISED PER ECN-21-122783	26OCT2021	SS	VS



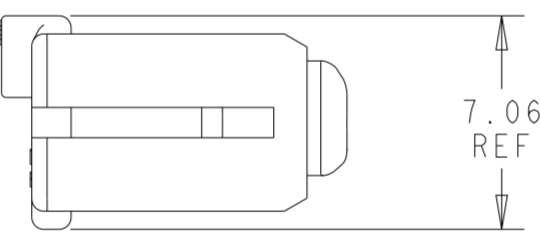
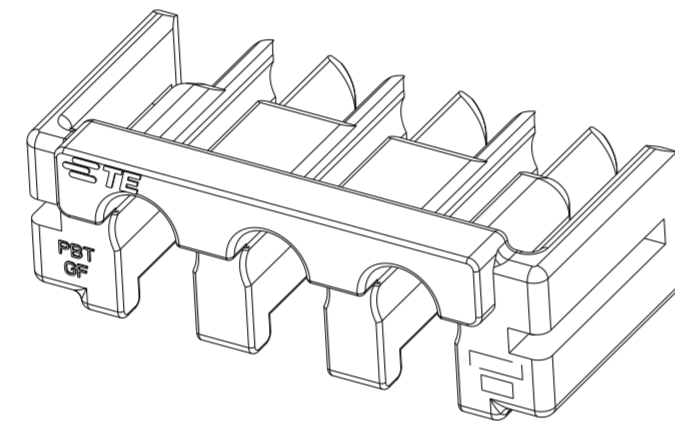
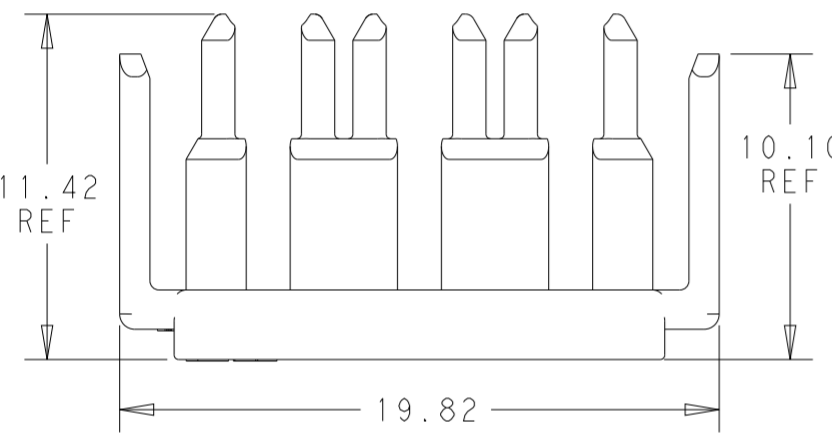
1*1 POSITION



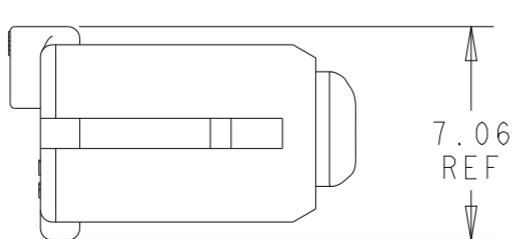
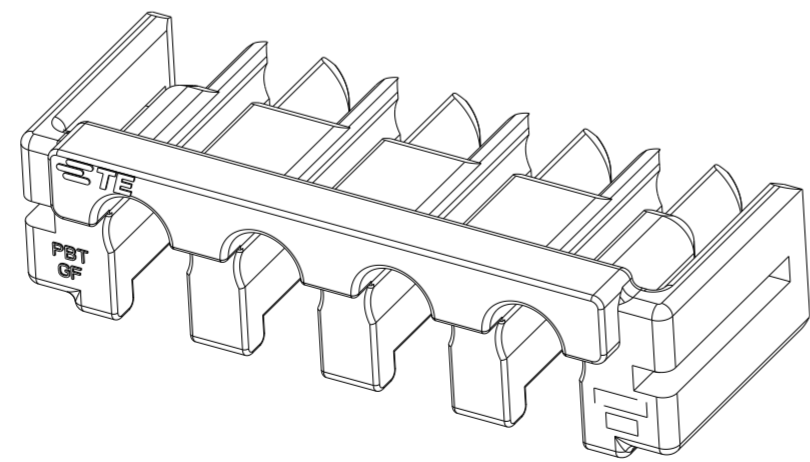
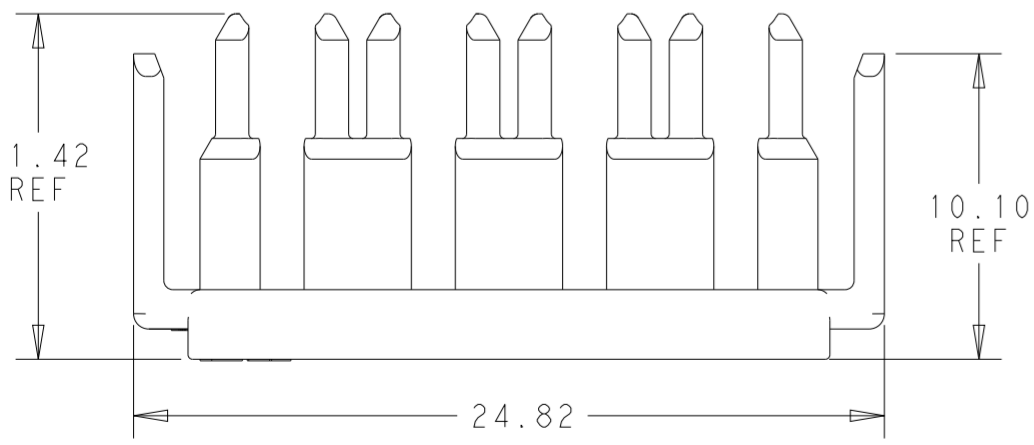
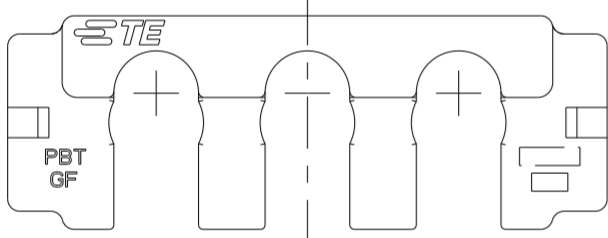
1*2 POSITION



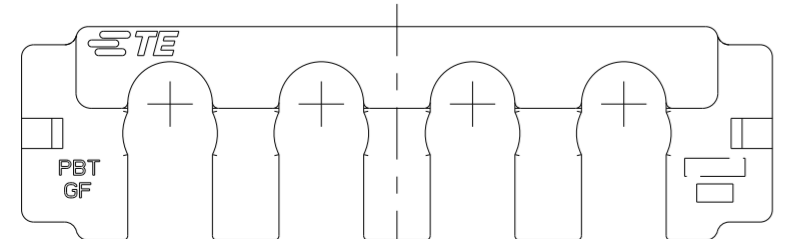
- 1. MATERIAL: PBT, GLASS FILLED
COLOR - BLACK
- 2. MATING CONNECTOR P/N'S:
CAP HSG - *-2378158-*/*-2345729-
PLUG HSG - *-2378159-*/*-2345728-*
- 3. PART CAN BE ASSEMBLED 180°
- 4. ACCEPTS STRANDED WIRE WITH AN INSULATION DIAMETER OF 3.1mm MAXIMUM.
- 5. FLAMMABILITY RATING: UL94 V-0
- 6. THIS PRODUCT HAS NOT COMPLETED QUALIFICATION TESTING.



1*3 POSITION



1*4 POSITION



1*4	2329016-4
1*3	2329016-3
1*2	2329016-2
1*1	2329016-1
POSITIONS	PART NUMBER

THIS DRAWING IS A CONTROLLED DOCUMENT.		DWN B. WEAVER 18JUN2018	TE Connectivity	
DIMENSIONS: mm		CHK S. FERNANDES 18JUN2018		
TOLERANCES UNLESS OTHERWISE SPECIFIED:		APVD C. YI 18JUN2018	NAME TPA, POWER VERSA-LOCK	
0 PLC ±	1 PLC ±	PRODUCT SPEC 108-143081	SIZE A2	CAGE CODE 00779
2 PLC ±0.50	3 PLC ±	APPLICATION SPEC 114-143082	DRAWING NO C-2329016	RESTRICTED TO -
4 PLC ±	ANGLES ±	WEIGHT -	SCALE 4:1	SHEET 1 OF 1
MATERIAL PBT GF	FINISH -	CUSTOMER DRAWING	REV A	