

A

B

C

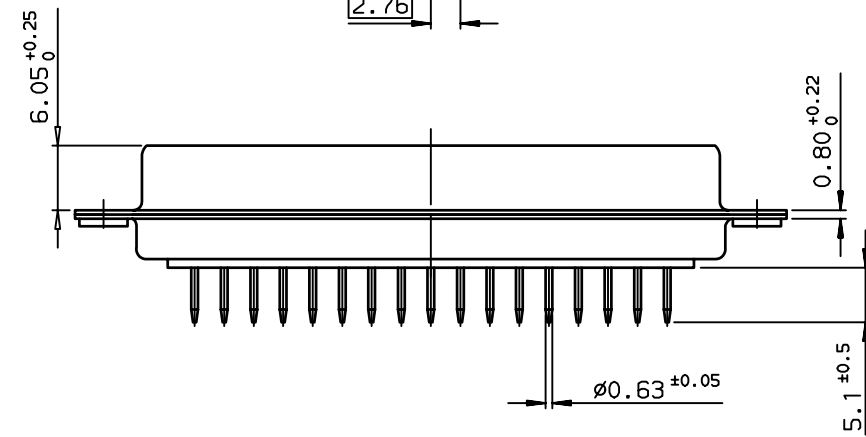
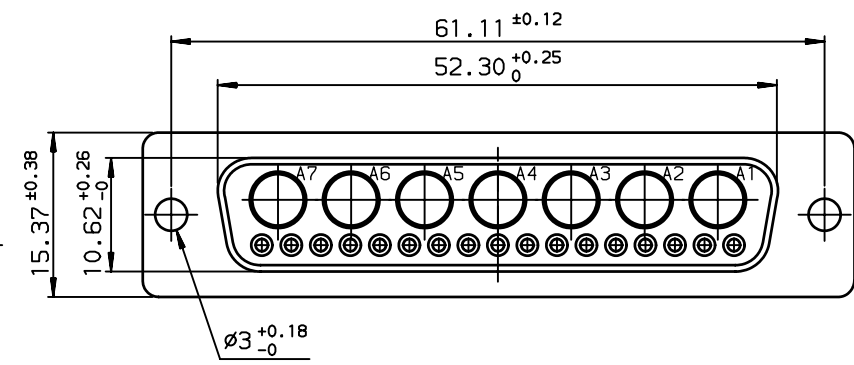
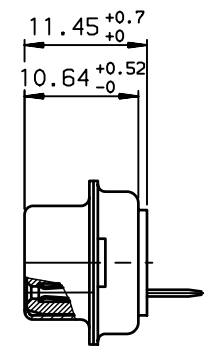
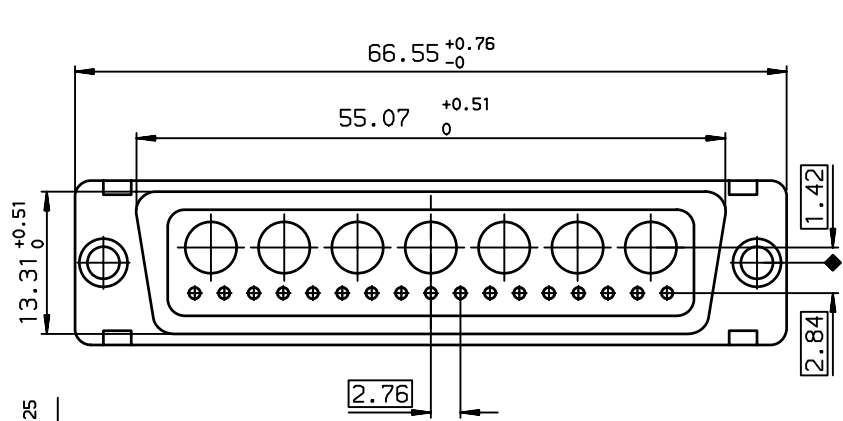
D

A

B

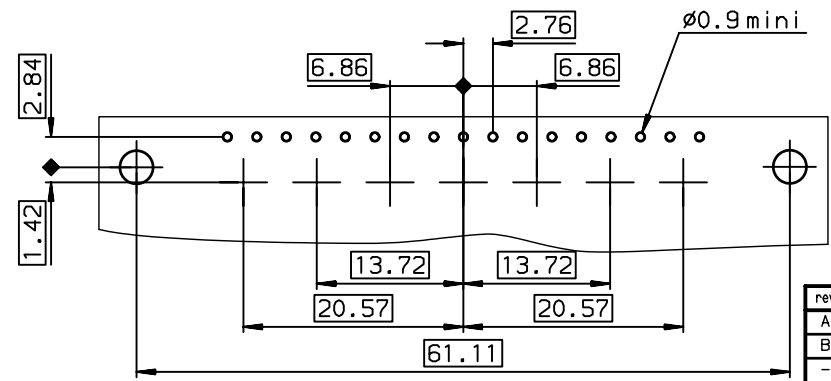
C

D



LAYOUT DIMENSIONS (after plating)
CONNECTOR SIDE VIEW

DD24W7S300A00LF	200 Mating/Unmating
PART NUMBER	PERFORMANCE LEVELS



GENERAL CHARACTERISTICS AND ROHS INFORMATIONS:
SEE DRAWING C01-8639-0000

European Views

www.fciconnect.com		surface ISO 1302 ✓	tolerance std ISO 406 ISO 1101	projection mm
TOLERANCES UNLESS OTHERWISE SPECIFIED				
Dr	PESSON	2005/12/01	0.X ±0.1	size A3
Eng	PESSON	2005/12/01	0.XX ±0.1	Scale 2
Chr	LEGARE	2005/12/01	0.XX' ±2'	ECN LS06-0095
Appr	LEGARE	2005/12/01	0.XXX ±0.1	Product family D-SUB
Spec ref -				

rev	ecn no	dr	date
A	LS05-0106	MPE	2005/12/01
B	LS06-0095	LGO	2006/06/17
-	-	-	-
-	-	-	-
-	-	-	-

	SOCKET CONNECTOR 24W7 FOR POWERS CONTACTS	title C01-8639-2270	Rev. B
	catalog no -	CUSTOMER sheet 1 of 1	



Copyright FCI.