

Customer Information Sheet

DRAWING No.: M80-835XXXX

SHEET 2 OF 2

IF IN DOUBT - ASK

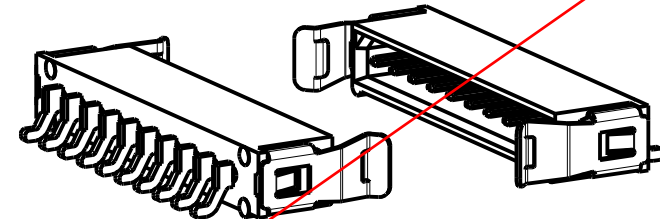
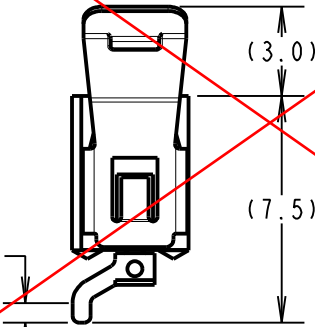
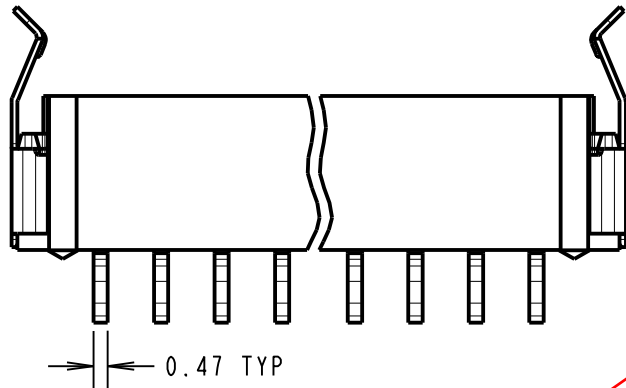
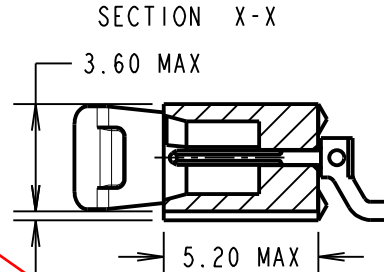
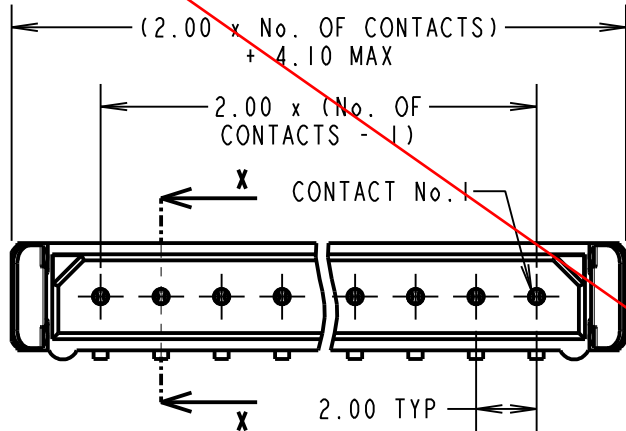
©

NOT TO SCALE

THIRD ANGLE PROJECTION

ALL DIMENSIONS IN mm

OBSOLETE



ORDER CODE:
M80-835XXXX

No. OF CONTACTS
 02 - 07, 17, 22

FINISH
 22 - GOLD, 90/10 TIN/LEAD
 42 - GOLD, 100% TIN
 45 - GOLD

SPECIFICATIONS:

MATERIAL:
 MOULDING = GLASS-FILLED PPS, UL94V-0, BLACK
 CONTACT = COPPER ALLOY

FINISH:

CONTACT:
 22 = 0.75µ GOLD ON CONTACT AREA,
 0.3µ 90/10 TIN/LEAD ON TAILS
 42 = 0.75µ GOLD ON CONTACT AREA,
 0.3µ 100% TIN OVER NICKEL ON TAILS
 45 = 0.75µ GOLD

LATCH = NICKEL

ELECTRICAL:

CURRENT RATING AT 25°C = 3.0A MAX
 CURRENT RATING AT 85°C = 2.2A MAX

WORKING VOLTAGE = 800V AC/DC

VOLTAGE PROOF = 1200V AC/DC

CONTACT RESISTANCE = 25mΩ MAX

INSULATION RESISTANCE = 100MΩ MIN

MECHANICAL:

DURABILITY = 500 OPERATIONS

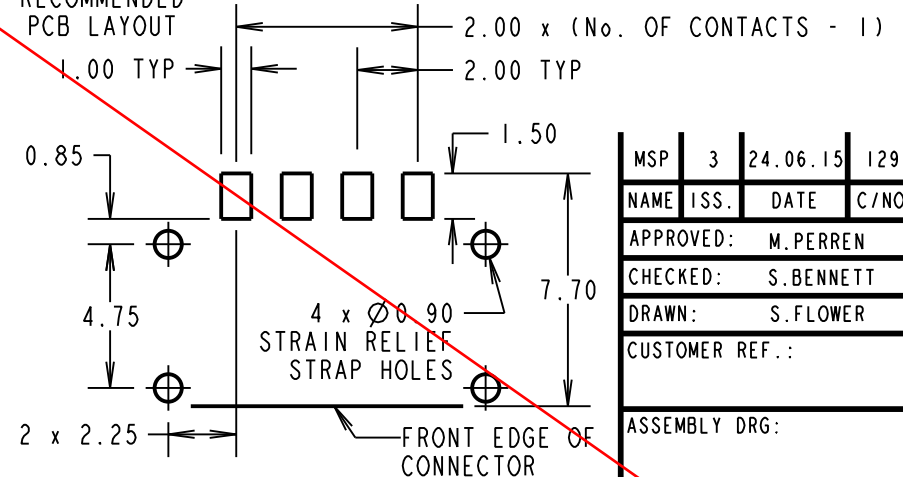
ENVIRONMENTAL:

TEMPERATURE RANGE = -55°C TO +125°C

PACKING:

TUBE, 2-OFF STRAIN RELIEF STRAPS PER CONNECTOR IN BAG
 FOR COMPLETE SPECIFICATION, SEE COMPONENT
 SPECIFICATION C005XX (LATEST ISSUE)

**RECOMMENDED
 PCB LAYOUT**



MSP	3	24.06.15	12973
NAME	ISS.	DATE	C/NOTE
APPROVED:		M.PERREN	
CHECKED:		S.BENNETT	
DRAWN:		S.FLOWER	
CUSTOMER REF.:			
ASSEMBLY DRG:			

HARWIN

www.harwin.com
 technical@harwin.com

THIS DRAWING AND ANY
 INFORMATION OR DESCRIPTIVE
 MATTER SET OUT HEREON ARE
 CONFIDENTIAL AND COPYRIGHT
 PROPERTY OF THE HARWIN
 GROUP AND MUST NOT BE
 DISCLOSED, LOANED, COPIED
 OR USED FOR MANUFACTURING,
 TENDERING OR FOR ANY
 OTHER PURPOSE WITHOUT
 THEIR WRITTEN PERMISSION.

TOLERANCES
 X. = ±1mm
 X.X = ±0.50mm
 X.XX = ±0.10mm
 X.XXX = ±0.01mm
 ANGLES = ±5°
 UNLESS STATED

MATERIAL:
 SEE ABOVE

FINISH: SEE ABOVE

S/AREA: mm²

TITLE: DATAMATE L-TEK
 MALE SIL HORIZONTAL SMT
 ASSEMBLY (FRICTION LATCH)

DRAWING NUMBER:
M80-835XXXX

SHT
 2 OF 2